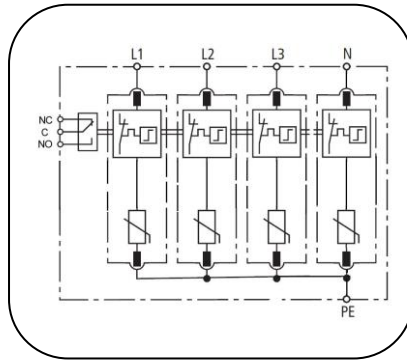
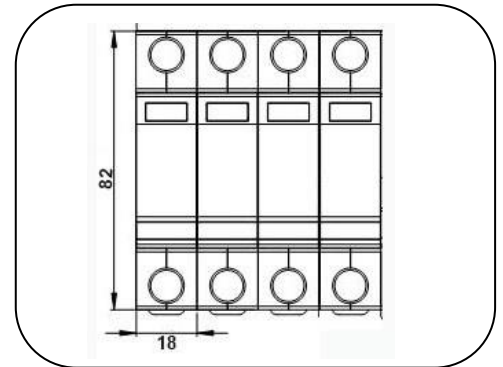


Centech Overspenningsvern DT50/385-4V-S

DT50/385-4V-S



Basic circuit diagram



Dimension (mm)

Type 2 surge protective device especially designed for low-voltage power supply system at the boundaries from lightning protection zone 1-2 and higher.

- Comply with IEC61643-11 and UL1449-4th
- Pluggable design with window fault indication and remote alarm contact
- Nominal discharge current I_n 20kA 8/20 per pole, max discharge current I_{max} 50kA 8/20 per pole
- High reliability due to global patented thermally protected MOV (TMOV) with special arc-extinguish device

Part No.	CV048309
In accordance with	IEC61643-11, UL1449-4 th
Category IEC/VDE	Type 2, Class II
Max. continuous operating voltage U_c (VAC/VDC)	385/505
Nominal discharge current (8/20) I_n	20kA
Max. discharge current (8/20) I_{max}	50kA
Voltage protection level @ U_p	<1.8kV
Response time	≤25 ns
Follow current	No
Backup fuse(only required if not already provided in mains)	125A gL/gG
Operating temperature range	- 40°C ~ + 80°C
Cross-section of connection wire	Single-strand 35mm ² ; multi-strand 25mm ²
Mounting	35mm DIN-rail in accordance with EN 50022/DIN46277-3
Enclosure material	thermoplastic; extinguishing degree UL94 V-0
Degree of protection	IP20
Installation width	4 modules, DIN 43880
Thermal disconnecter	Internal green – normal ; red - failure
Remote alarm contact	Yes
Additional data for Remote Alarm Contacts	
Remote alarm contact type	Isolated Form C
Switching capability U_n/I_n	AC: 250V/0.5A DC: 250V/0.1A; 125V/0.2A; 75V/0.5A
Max. Size of connecting wire	Max. 1.5mm ² (or # 16AWG)