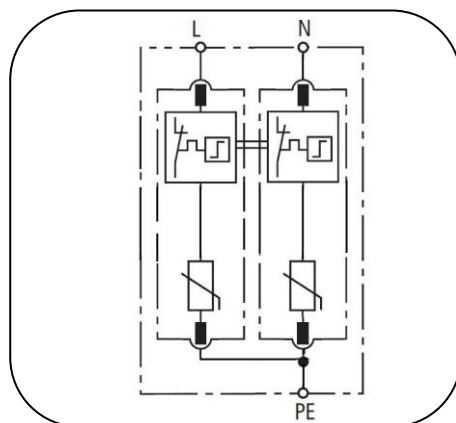
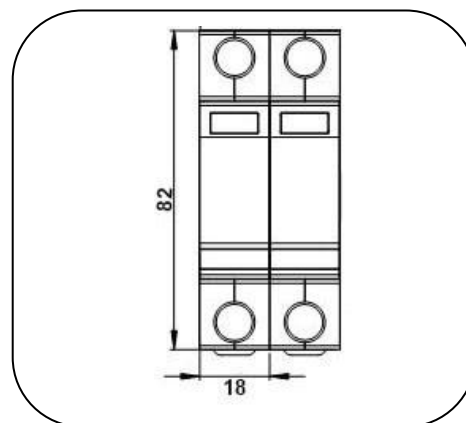


Centech Overspenningsvern DS40/440-2V



Basic circuit diagram



Dimension (mm)

Type 2 surge protective device especially designed for low-voltage power supply system at the boundaries from lightning protection zone 1-2 and higher.

- Comply with IEC61643-11 and UL1449-4th
- Pluggable design with window fault indication
- Nominal discharge current I_n 20kA 8/20 per pole, max discharge current I_{max} 40kA 8/20 per pole
- High reliability due to global patented thermally protected MOV (TMOV) with special arc-extinguish device

Part No.	CV048408
In accordance with	IEC61643-11, UL1449-4th
Category IEC/VDE	Type 2, Class II
Max. continuous operating voltage U_c (VAC/VDC)	440/580
Nominal discharge current(8/20) I_n	20kA
Max. discharge current(8/20) I_{max}	40kA
Voltage protection level @ U_p	<2.0kV
Response time	≤25 ns
Follow current	No
Backup fuse(only required if not already provided in mains)	125A gL/gG
Operating temperature range	- 40°C ~ + 80°C
Cross-section of connection wire	Single-strand 35mm ² ; multi-strand 25mm ²
Mounting	35mm DIN-rail in accordance with EN 50022/DIN46277-3
Enclosure material	thermoplastic; extinguishing degree UL94 V-0
Degree of protection	IP20
Installation width	2 modules, DIN 43880
Thermal disconnect	Internal green – normal ; red - failure
Remote alarm contact	Nil