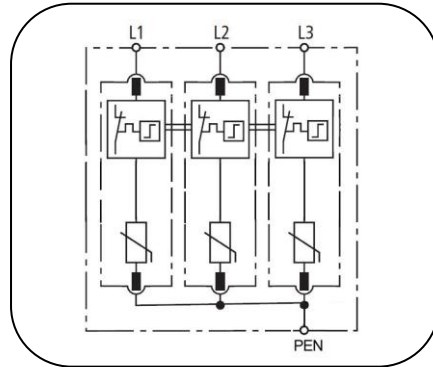
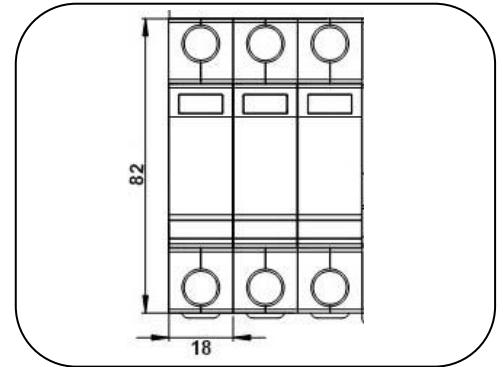


## Centech Overspenningsvern DT40/440-3V



Basic circuit diagram



Dimension (mm)

Type 2 surge protective device especially designed for low-voltage power supply system at the boundaries from lightning protection zone 1-2 and higher.

- Comply with IEC61643-11 and UL1449-4<sup>th</sup>
- Pluggable design with window fault indication
- Nominal discharge current  $I_n$  20kA 8/20 per pole, max discharge current  $I_{max}$  40kA 8/20 per pole
- High reliability due to global patented thermally protected MOV (TMOV) with special arc-extinguish device

|   |  |
|---|--|
| Part No.  | CV048415   |
| In accordance with  | IEC61643-11, UL1449-4 <sup>th</sup>                              |
| Category IEC/VDE  | Type 2, Class II   |
| Max. continuous operating voltage $U_c$ (VAC/VDC)           | 440/580  |
| Nominal discharge current (8/20) $I_n$                      | 20kA   |
| Max. discharge current (8/20) $I_{max}$                     | 40kA   |
| Voltage protection level @ $U_p$                            | <2.0kV   |
| Response time   | ≤25 ns   |
| Follow current  | No   |
| Backup fuse(only required if not already provided in mains) | 125A gL/gG   |
| Operating temperature range                                 | - 40°C ~ + 80°C  |
| Cross-section of connection wire                            | Single-strand 35mm <sup>2</sup> ; multi-strand 25mm <sup>2</sup> |
| Mounting  | 35mm DIN-rail in accordance with EN 50022/DIN46277-3             |
| Enclosure material  | thermoplastic; extinguishing degree UL94 V-0                     |
| Degree of protection  | IP20   |
| Installation width  | 3 modules, DIN 43880   |
| Thermal disconnecter  | Internal green – normal ; red - failure                          |
| Remote alarm contact  | Nil  |