

ARGENTA SERIES

IP66 STEEL WALL-MOUNTING CABINETS

Description: IP66 ROLLED STEEL WALL-MOUNTING CABINET 1000x600x300
OPAQUE DOOR

Reference: GN1006030

Characteristics:

Product type:	Wall-mounting cabinet
Dimensions cabinet:	(AxBxC) 1000x600x300 mm
Installation:	Surface
Type of door:	Single opaque door
Locking:	5-mm double-bit lock - One 3-points lock
Finish:	Coated with hardened polyester paint, embossed, 80-120 µ, with UV protection.
Colour:	RAL 7035 grey
Mounting plate:	With flat mounting plate. 2-mm galvanised sheet steel
Weight (Kg):	44,76
Materials:	Cold-rolled steel EN10130+A1 Injected polyurethane sealing gasket.

Technical data:

Degree of protection:	IP66 / NEMA 1, 12, 4
Resistance to impact:	IK10
Ambient temperature range:	-25 °C / +40 °C
Maximum operating voltage:	1000 V AC
Corrosion resistance:	C4-M

Certificates and standards:

Directive:	2014/35/EU
Standards:	UNE-EN 62208 / UNE-EN 61439-1-3 (as applicable).
Certificates:	UL508A / Bureau Veritas

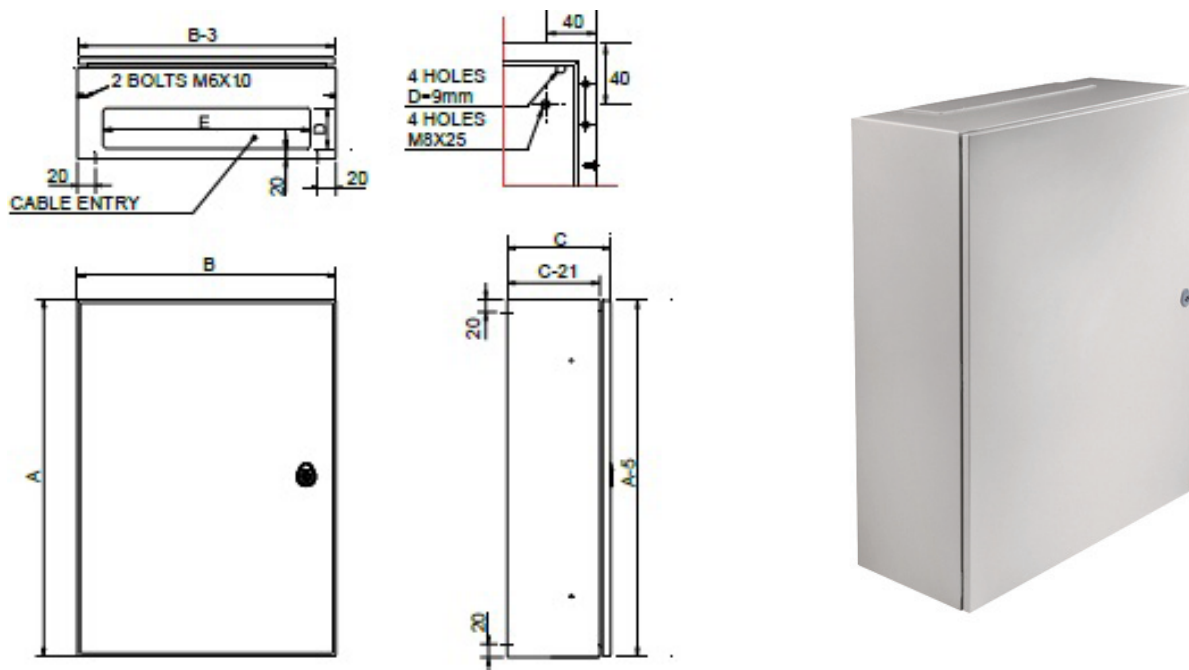


ARGENTA SERIES

IP66 STEEL WALL-MOUNTING CABINETS

Description: IP66 ROLLED STEEL WALL-MOUNTING CABINET 1000X600X300 OPAQUE DOOR

Reference: GN1006030



Pictures and drawings are standards. To get more details please surf www.ide.es to download those files (pdf, dxf, igs).

Dimensions cabinet:	(AxBxC) 1000x600x300 mm	Cable entry:	(DxE) 140x500 mm
Body to be flush-fitted:	-	Wall fixing:	(Height x Width) 960x560 mm
Inside usable space:	(Height x Width x Depth) 950x550x279 mm		

Sustainability:

RoHS - REACH

Supply:

Supplied in individual packaging containing cabinet, plate and accessory bag. Mounting plate is supplied assembled inside the cabinet.

Product end of life:

It does not require specific recycling operations.

Recommended applications

Industrial environments, manufacturing companies requiring a high degree of protection against dust, splashes and impacts.