

Type	AT3-20KVA 230-400V IP23
Description	Three-phase auto-transformer 20KVA IP23
Product code	CV058407
Standards	EN60076

Date 25/09/2019

Rated Power	AUTO 20KVA
-------------	------------

Input

Rated input voltage	230 V
Rated frequency	50-60 Hz
Primary current	50,5 A
Winding material	Al

Output

Rated output voltage	400V
Secondary current	28,9 A
Winding material	Al

Marks

	CE
--	----

Environment

Cooling method	AN
Ambient temperature max	40°C/F
Winding temperature rise	CLASS F
Altitude	1000 mt

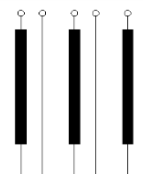
Terminals and mounting

Terminals	TERMINAL BLOCKS
Fixing method	SCREWS

Dimensions (mm) and weight (kg) - Transformer*

A	B	C	Weight
360	230	330	62

Vector group	Yna0
--------------	------



Performance**

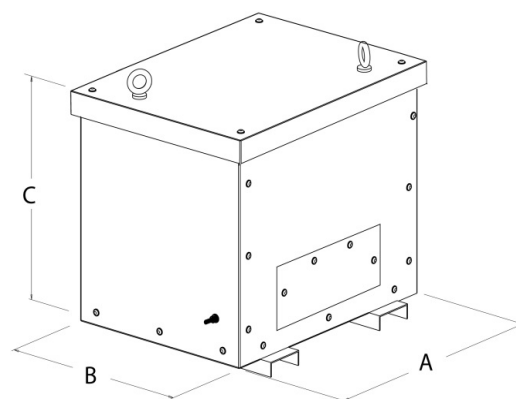
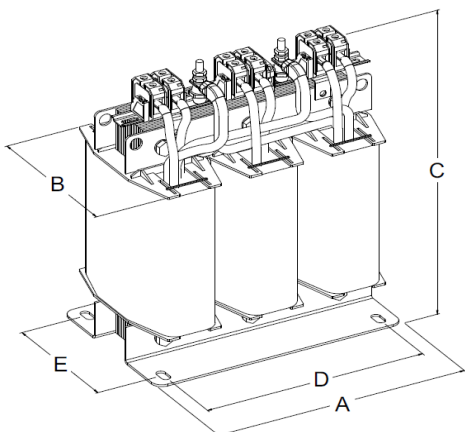
No-load losses	100 W
Load losses at 75°C	370 W
Efficiency at 75°C	97,70%
Ucc TOT (UccR / UccX) at 75°C	2,00%

Safety and protection

Insulation class	CLASS F
Working class	CLASS F
Protection degree	IP00
Inrush current	9-10 x In
No-load Voltage	405,6 V
Test voltage	3 KV/1'

Dimensions (mm) and weight (kg)- Enclosure IP23

A	B	C	Weight
570	500	580	23



* dimensions and weight tolerance: ± 4%

