

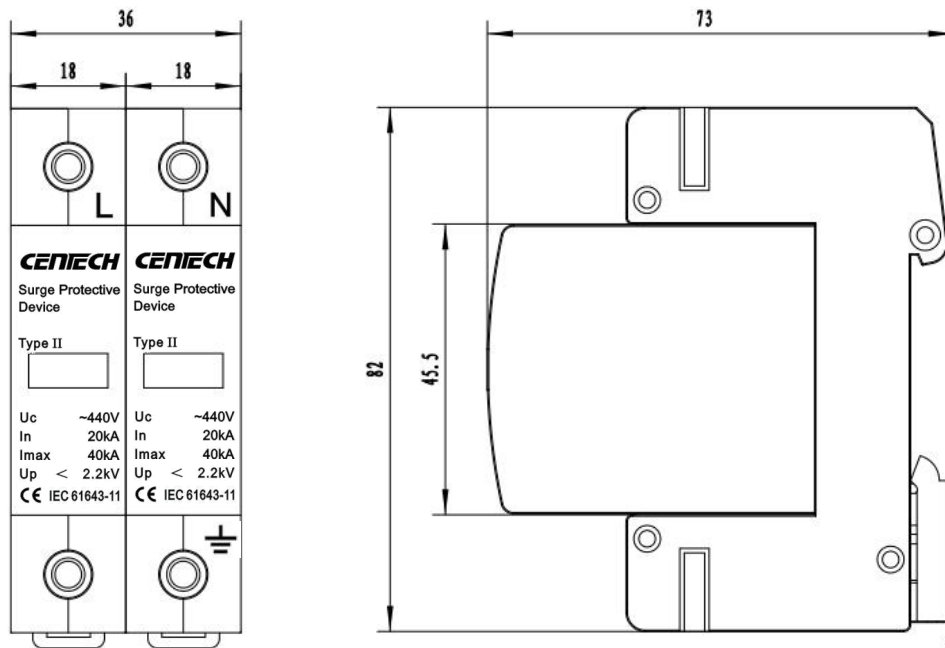
The specification of C40/2P-440 (CV059787)



一、 Technical parameters

Parameters \ Type	C40/2P-440
Approved by	IEC 61643-11
Test class	Class II
Uo (Nominal voltage)	220/380V
Uc (Maximum continuous operating voltage)	440Vac
In (Nominal discharge current)	20kA (8/20 μ s)
Imax (Maximum discharge current)	40kA (8/20 μ s)
Up(at In) Voltage protection level	2.2kV
Number of Ports	one
Mounting	Indoor
Response time t_A	≤ 25 ns
Operating temperature	-40°C ~ +70°C
Connection(stranded)	10 ~ 16 mm ²
Protection level	IP20
Housing material	PBT UL94 V-0
Working status	Green is OK/Red is failure
Installing on	35mm DIN Rail

二、Dimensions



三、Schematic

