

ECOLOGY

IP65 DISTRIBUTION BOXES

Description: IP65 SURFACE BOX 1x8 MOD. (TW). ABS. N&E BARS

Reference:

CDN8PT/RR

Characteristics:

Product type:	ABS watertight distribution boxes with neutral and earth bars (Sealable)
Exterior dimensions (Height x Width x Depth):	231x238x118 mm
Dimensions of the flush-fit gap (HxWxD):	-
Number of modules:	1x8 DIN rail
Installation:	Surface
Color:	Grey RAL 7035
Window:	Transparent tinted window. UV protection polycarbonate
Weight (Kg):	1,05
Cable entry:	Top: 4xM25 - 1xM40. Bottom: 4xM25 - 1xM40. Oblong rear: 2xOB25/25
Components:	N&E Cable section: 5x(2,5-6 mm ²)+3x(4-10 mm ²)+1x(16-35 mm ²)
Materials:	Halogen-free plastic materials. Frame and base: ABS. Recommendend for outdoor use: UV protection under ISO standard 4892-2, Method A: 500h

Technical data:

Degree of protection:	IP65
Resistance to impact:	IK08
Glow wire resistance:	650 °C
Ball pressure test:	70 °C
Ambient temperature range:	-25 °C / +40 °C
Maximum operating voltage:	1000 V AC / 1500 V DC
Double insulation:	Class II

Certificates and standards:

Directive:	2014/35/EU
Standards:	UNE-EN 62208 and IEC 62208
Certificates:	



Codes:

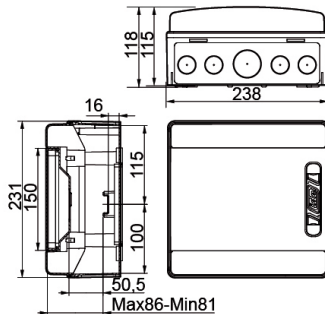
EAN:	8431044129327
Customs tariff number:	85.38.10.00
ETIM 6.0:	EC001892

ECOLOGY


IP65 DISTRIBUTION BOXES

Description: IP65 SURFACE BOX 1x8 MOD. (TW). ABS. N&E BARS

Reference: CDN8PT/RR



Detailed drawing:

 <http://www.ide.es/downloads/planos/pdf/CDN8PTRR.pdf>

 <http://www.ide.es/downloads/planos/dxf/CDN8PTRR.dxf>

Exterior dimensions (Height x Width x Depth):

231x238x118 mm

Dimensions of the flush-fit gap (Height x Width x Depth):

-

Sustainability:

RoHS - REACH

Supply:

Supplied in individual cardboard packaging. When several items are sent together, they are bundled together with transparent film.

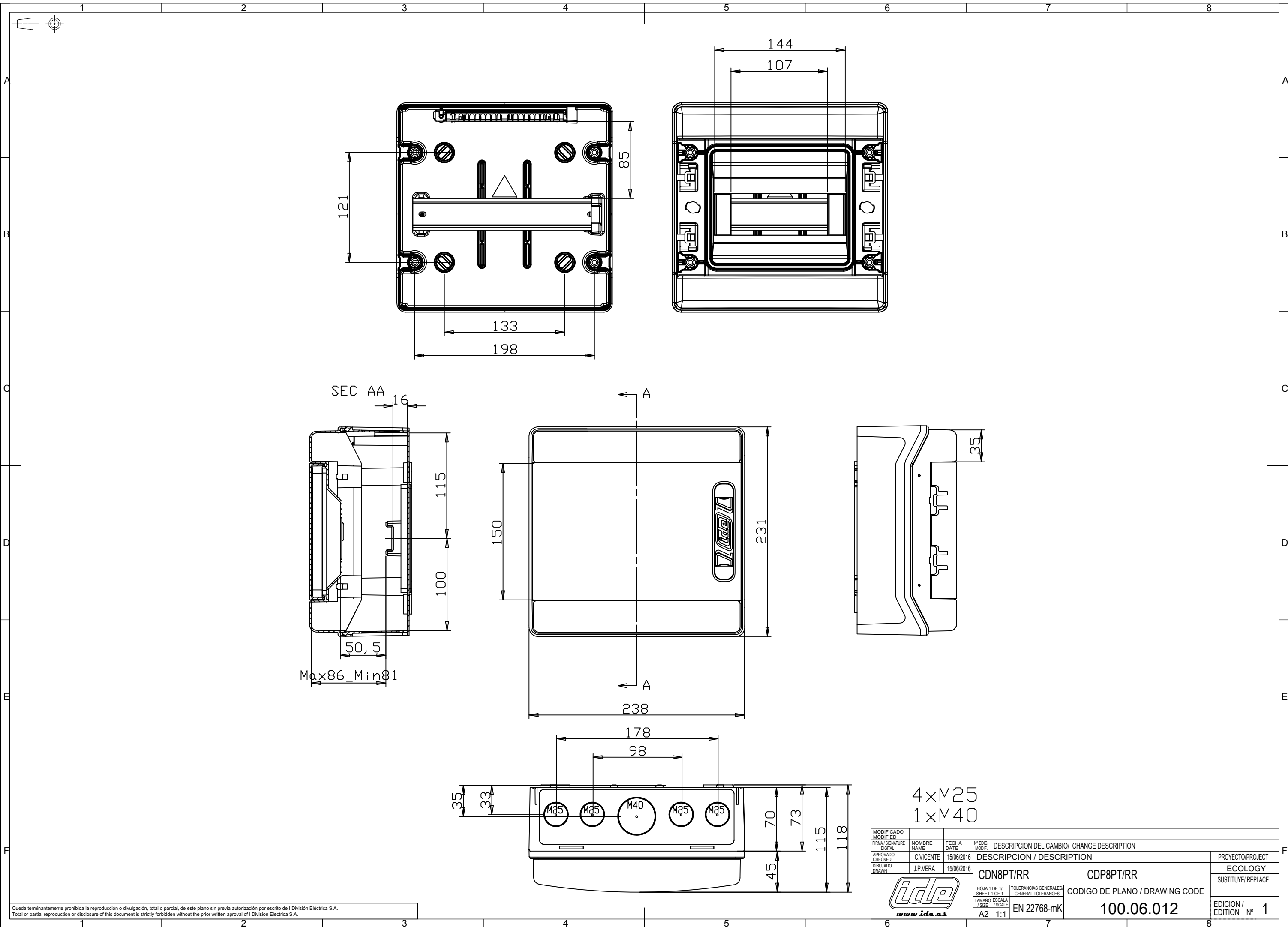
Packaging units: 4

Product end of life:

It does not require specific recycling operations.

Recommended applications:

Industrial and outdoor environments. Industrial sites, docks, swimming pools, garages, anywhere that requires a high degree of protection against dust, splashes and impacts.



Queda terminantemente prohibida la reproducción o divulgación, total o parcial, de este plano sin previa autorización por escrito de I División Eléctrica S.A.
 Total or partial reproduction or disclosure of this document is strictly forbidden without the prior written approval of I División Eléctrica S.A.

MODIFICADO / MODIFIED		NOMBRE / NAME		FECHA / DATE		DESCRIPCION DEL CAMBIO / CHANGE DESCRIPTION	
FIRMA / SIGNATURE DIGITAL		C.VICENTE		15/06/2016		DESCRIPCION / DESCRIPTION	
APROBADO / CHECKED		J.P.VERA		15/06/2016		CDN8PT/RR	
DIBUJADO / DRAWN						CDP8PT/RR	
HOJA 1 DE 1 / SHEET 1 OF 1		TOLERANCIAS GENERALES / GENERAL TOLERANCES		CODIGO DE PLANO / DRAWING CODE		PROYECTO/PROJECT	
TAMAÑO / SIZE		ESCALA / SCALE		EN 22768-mK		ECOLOGY	
A2		1:1		100.06.012		SUSTITUYE/REPLACE	
						EDICION / EDITION Nº 1	



Instrucciones de montaje
Installation Instructions
Notice d'installation
Istruzioni per il montaggio
Montageanweisung
Montagehandleiding

Montagevejledning
Οδηγίες εγκατάστασης
Instruções de montagem
Monteringsanvisning
Asennusohje
Návod k montáži

Paigaldusjuhend
Szerelési utasítás
Montāžas instrukcija
Montavimo instrukcija
Instrukcja montażu
Navodila za montažo

Návod na montáž
Монтажни инструкции
Instrucțiuni de montaj
Инструкция по монтажу
安装说明

EN 62208

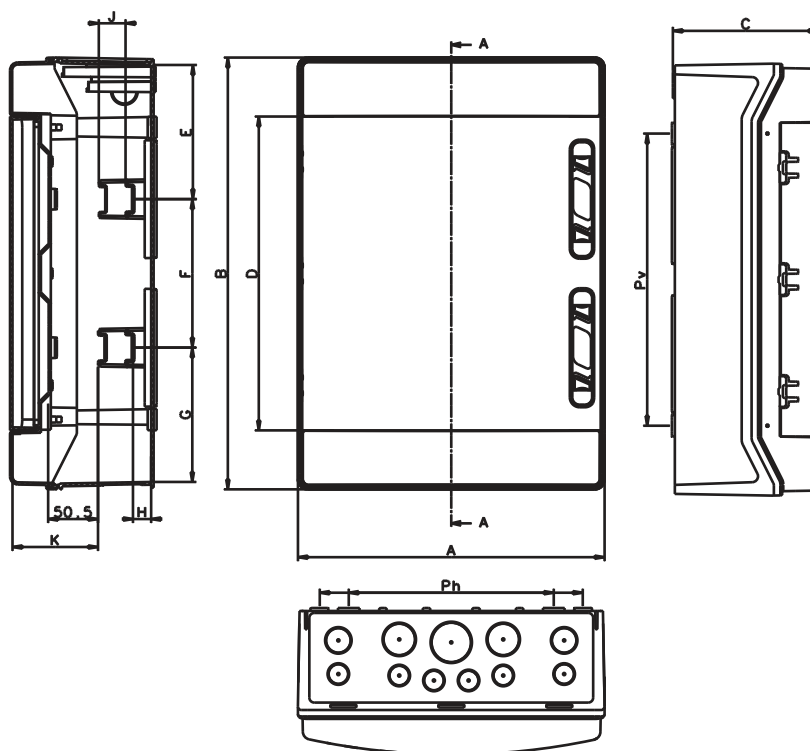
Ac<1000V

In<125A

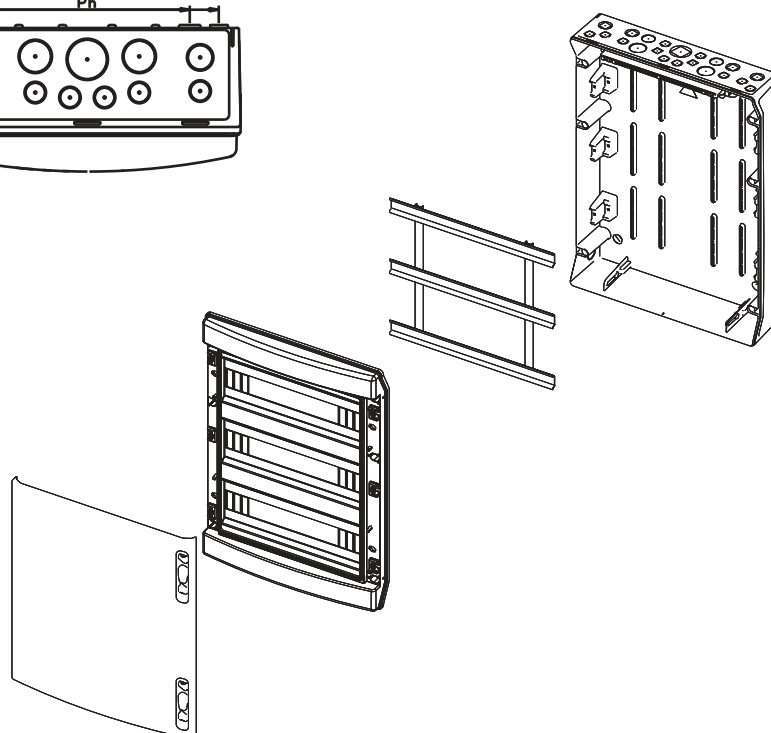
Cc<1500V

Fr<100Hz

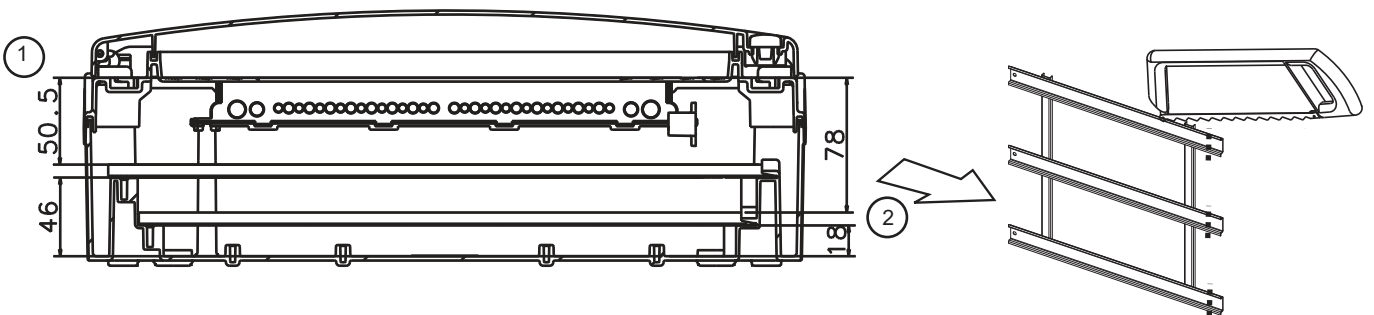
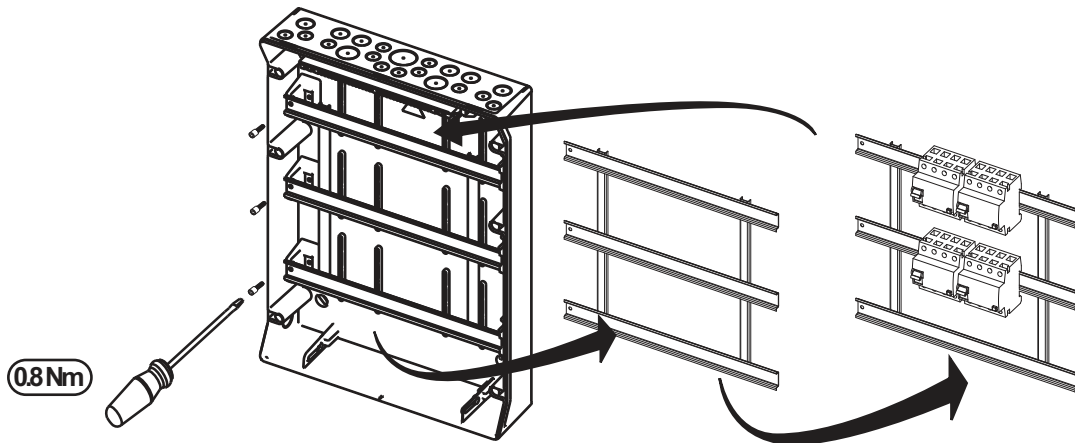
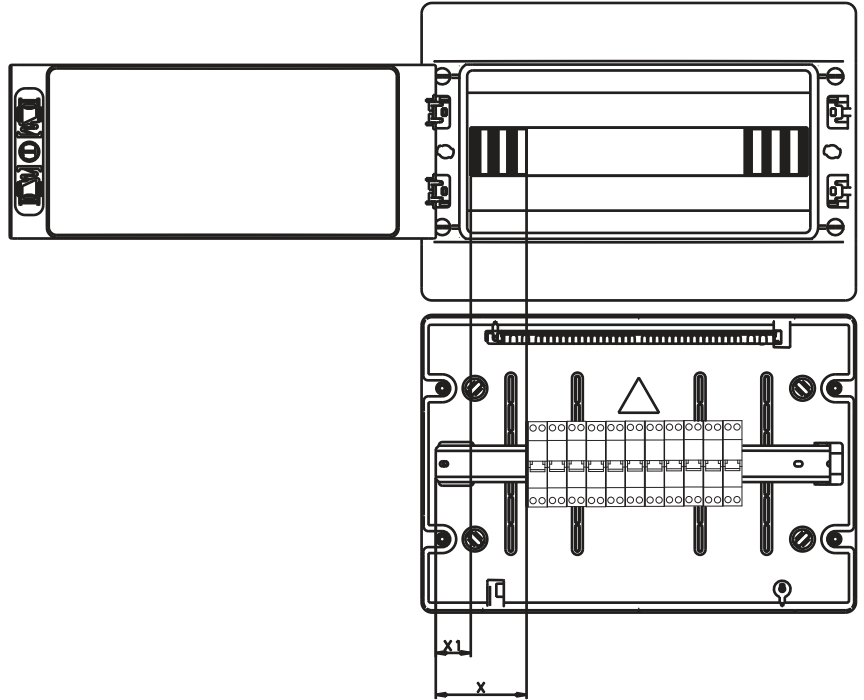
Type mm.	A	B	C	D	E	F	G	H	J	K	Ph	Pv
65S04	166	231	113	150	115<	--	100<	16	--	78-82	76/126	121
65S06	202	231	113	150	115<	--	100<	16	--	78-82	97/162	121
65S08	238	231	118	150	115<	--	100<	16	--	81-86	133/198	121
65S12	310	246	148	167	115<	--	115<	18	28	76-87	207/270	121
65S18	418	286	148	167	135<	--	135<	18	28	76-87	315/378	145
65S24	310	436	148	317	135<	150	135<	18	28	76-87	207/270	295
65S36_2	418	436	148	317	135<	150	135<	18	28	76-87	315/378	295
65S36_3	310	586	148	467	135<	2x150	135<	18	28	76-87	207/270	445
65S54	418	586	148	467	135<	2x150	135<	18	28	76-87	315/378	445

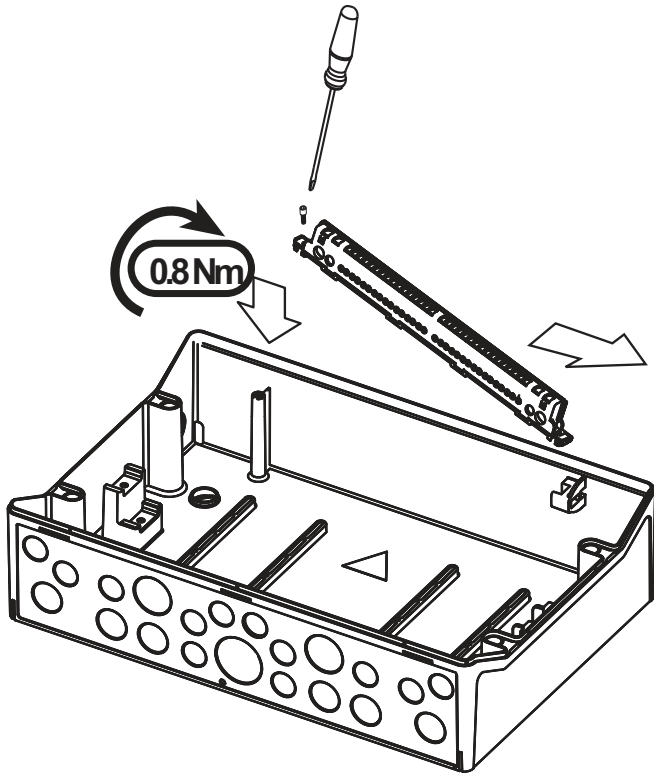


		65S..	65S../RR
	65S04/06/08/12/18 65S24/36_2 65S36_3/54	4x 4x 6x	4x 4x 6x
	65S....	4x	4x
	65S04 65S06/08/12/18 65S24/36_2 65S36_3/54	- 1x 2x 3x	- 1x 2x 3x
	65S04/06/08/12/18 65S24/36_2 65S36_3/54	1x 2x 3x	1x 2x 3x
	65S04/06/08/12/18 65S24 65S36_2/36_3/54	- - -	1x 1x 2x



	X (mm)	X1 (mm)
65S04	39	20.5
65S06	41.5	23
65S08	47.5	30
65S12	70.5	34
65S24	70.5	34
65S36_3	70.5	34
65S18	86	32
65S36_2	86	32
65S54	86	32





TYPE / TIPO	(N) (mm ²)	(PE) (mm ²)
65S04	3x(2.5-6mm ²)+1x(4-10mm ²)+1x(16-35mm ²)	3x(2.5-6mm ²)+1x(4-10mm ²)+1x(16-35mm ²)
65S06	3x(2.5-6mm ²)+1x(4-10mm ²)+1x(16-35mm ²)	3x(2.5-6mm ²)+1x(4-10mm ²)+1x(16-35mm ²)
65S08	5x(2.5-6mm ²)+3x(4-10mm ²)+1x(16-35mm ²)	5x(2.5-6mm ²)+3x(4-10mm ²)+1x(16-35mm ²)
65S12	6x(2.5-6mm ²)+6x(4-10mm ²)+1x(10-25mm ²)+1x(16-35mm ²)	6x(2.5-6mm ²)+6x(4-10mm ²)+1x(10-25mm ²)+1x(16-35mm ²)
65S24	8x(2.5-6mm ²)+8x(4-10mm ²)+1x(10-25mm ²)+1x(16-35mm ²)	8x(2.5-6mm ²)+8x(4-10mm ²)+1x(10-25mm ²)+1x(16-35mm ²)
65S36_3	12x(2.5-6mm ²)+12x(4-10mm ²)+1x(10-25mm ²)+1x(16-35mm ²)	12x(2.5-6mm ²)+12x(4-10mm ²)+1x(10-25mm ²)+1x(16-35mm ²)
65S18	8x(2.5-6mm ²)+8x(4-10mm ²)+1x(10-25mm ²)+1x(16-35mm ²)	8x(2.5-6mm ²)+8x(4-10mm ²)+1x(10-25mm ²)+1x(16-35mm ²)
65S36_2	12x(2.5-6mm ²)+12x(4-10mm ²)+1x(10-25mm ²)+1x(16-35mm ²)	12x(2.5-6mm ²)+12x(4-10mm ²)+1x(10-25mm ²)+1x(16-35mm ²)
65S54	12x(2.5-6mm ²)+12x(4-10mm ²)+1x(10-25mm ²)+1x(16-35mm ²)	12x(2.5-6mm ²)+12x(4-10mm ²)+1x(10-25mm ²)+1x(16-35mm ²)

