

# ECOLOGY

## IP65 DISTRIBUTION BOXES

Description: IP65 SURFACE BOX 1x12 MOD. (TW). ABS. N&E BARS

Reference:

**CDN12PT/RR**

### Characteristics:

<b>Product type:</b>	ABS watertight distribution boxes with neutral and earth bars (Sealable)
<b>Exterior dimensions (Height x Width x Depth):</b>	246x310x148 mm
<b>Dimensions of the flush-fit gap (HxWxD):</b>	-
<b>Number of modules:</b>	1x12 DIN rail
<b>Installation:</b>	Surface
<b>Color:</b>	Grey RAL 7035
<b>Window:</b>	Transparent tinted window. UV protection polycarbonate
<b>Weight (Kg):</b>	1,55
<b>Cable entry:</b>	Top: 6xM20 - 2xM25 - 2xM32 - 1xM40. Bottom: 6xM20 - 2xM25 - 2xM32 - 1xM40. Int.: 4xM25. Oblong rear: 2xOB 25/32/25
<b>Components:</b>	N&E Cable section: 6x(2,5-6 mm <sup>2</sup> )+6x(4-10 mm <sup>2</sup> )+1x(10-25 mm <sup>2</sup> )+1x(16-35 mm <sup>2</sup> )
<b>Materials:</b>	Halogen-free plastic materials. Frame and base: ABS. Recommended for outdoor use: UV protection under ISO standard 4892-2, Method A: 500h

### Technical data:

<b>Degree of protection:</b>	IP65
<b>Resistance to impact:</b>	IK08
<b>Glow wire resistance:</b>	650 °C
<b>Ball pressure test:</b>	70 °C
<b>Ambient temperature range:</b>	-25 °C / +40 °C
<b>Maximum operating voltage:</b>	1000 V AC / 1500 V DC
<b>Double insulation:</b>	Class II

### Certificates and standards:

<b>Directive:</b>	2014/35/EU
<b>Standards:</b>	UNE-EN 62208 and IEC 62208
<b>Certificates:</b>	



### Codes:

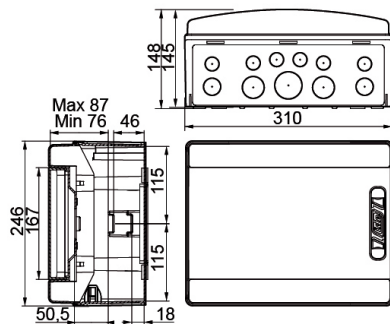
<b>EAN:</b>	8431044129662
<b>Customs tariff number:</b>	85.38.10.00
<b>ETIM 6.0:</b>	EC001892

# ECOLOGY


## IP65 DISTRIBUTION BOXES

Description: IP65 SURFACE BOX 1x12 MOD. (TW). ABS. N&E BARS

Reference: CDN12PT/RR



### Detailed drawing:

 <http://www.ide.es/downloads/planos/pdf/CDN12PTRR.pdf>

 <http://www.ide.es/downloads/planos/dxf/CDN12PTRR.dxf>

### Exterior dimensions (Height x Width x Depth):

246x310x148 mm

### Dimensions of the flush-fit gap (Height x Width x Depth):

-

### Sustainability:

RoHS - REACH

### Supply:

Supplied in individual cardboard packaging. When several items are sent together, they are bundled together with transparent film.

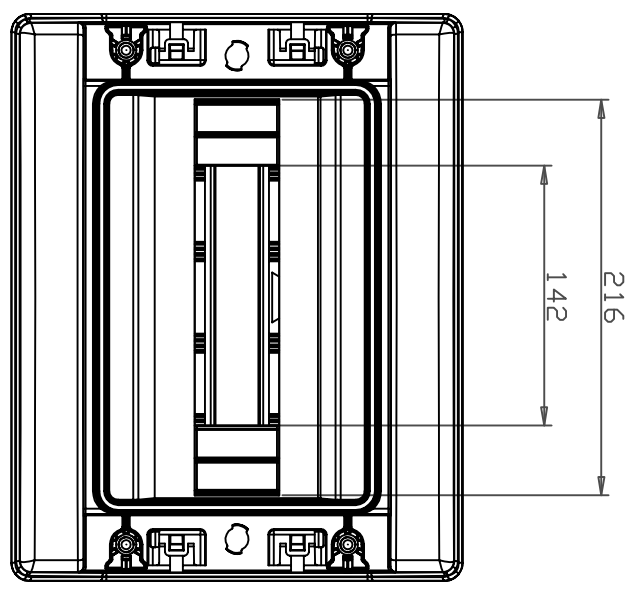
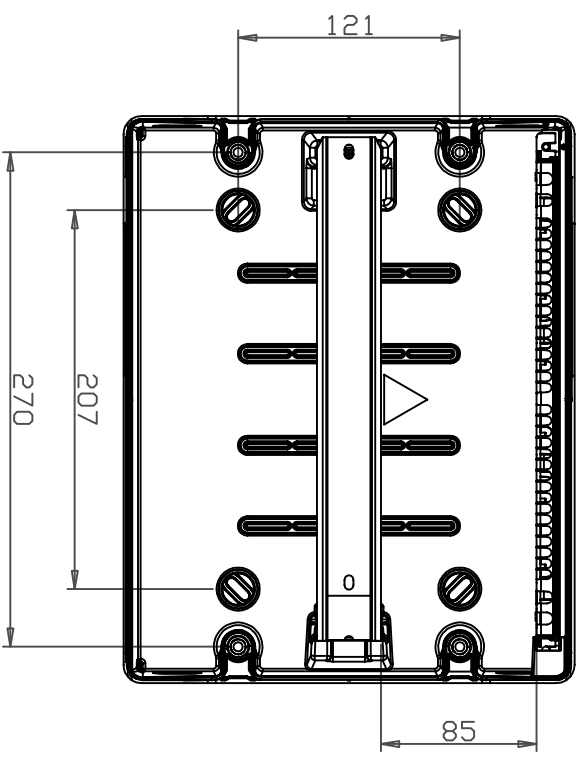
Packaging units: 5

### Product end of life:

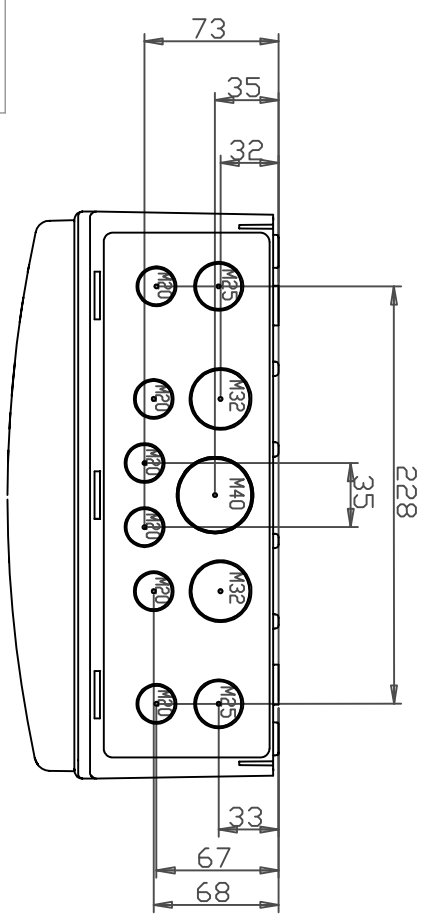
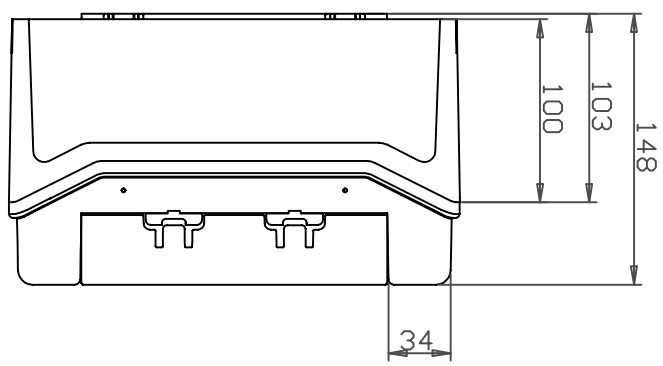
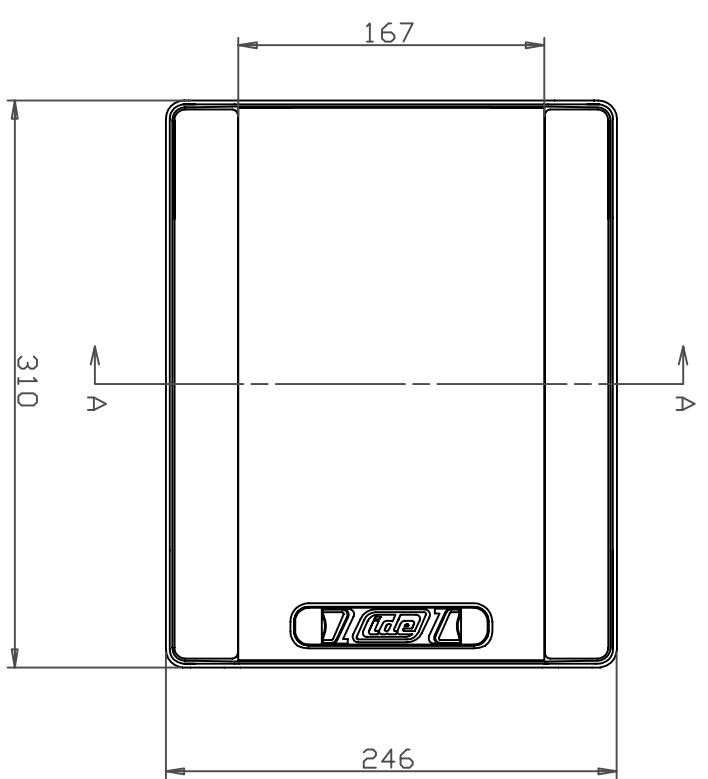
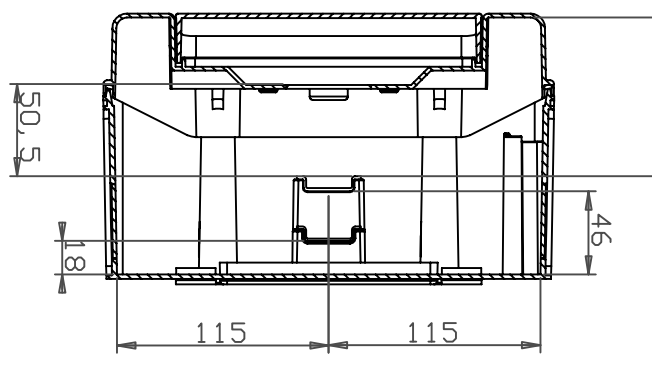
It does not require specific recycling operations.

### Recommended applications:

Industrial and outdoor environments. Industrial sites, docks, swimming pools, garages, anywhere that requires a high degree of protection against dust, splashes and impacts.



SEC AA  
Max 87, Min 76



6xM20  
2xM25  
2xM32  
1xM40

Queda terminantemente prohibida la reproducción o divulgación, total o parcial, de este plano sin previa autorización por escrito de I.D. División Eléctrica S.A.  
Total or partial reproduction or disclosure of this document is strictly forbidden without the prior written approval of I.D. División Eléctrica S.A.

MODELO/DISEÑO	NOMBRE	FECHA	Nº EDIC.	DESCRIPCIÓN DEL CAMBIO / CHANGE DESCRIPTION	PROYECTO/PROJECT
FIRMA/SIGNATURE	CONVENIENTE	15/06/2016	1	DESCRIPCIÓN / DESCRIPTION	ECOLOGÍA
APROBADO	C.VICENTE	15/06/2016			SUSTITUIVE/REPLACE
DIBUJADO	J.P.VERA	15/06/2016			
CDN12PT/RR		CDP12PT/RR		CODIGO DE PLANO / DRAWING CODE	
A2 1:1		EN 22788-nIK		100.06.013	
TAMAÑO ESCALA		TOLERANCIAS GENERALES		EDICIÓN / EDITION	
A2 1:1		EN 22788-nIK		Nº 1	



Instrucciones de montaje  
Installation Instructions  
Notice d'installation  
Istruzioni per il montaggio  
Montageanweisung  
Montagehandleiding

Montagevejledning  
Οδηγίες εγκατάστασης  
Instruções de montagem  
Monteringsanvisning  
Asennusohje  
Návod k montáži

Paigaldusjuhend  
Szerelési utasítás  
Montāžas instrukcija  
Montavimo instrukcija  
Instrukcja montażu  
Navodila za montažo

Návod na montáž  
Монтажни инструкции  
Instrucțiuni de montaj  
Инструкция по монтажу  
安装说明

EN 62208

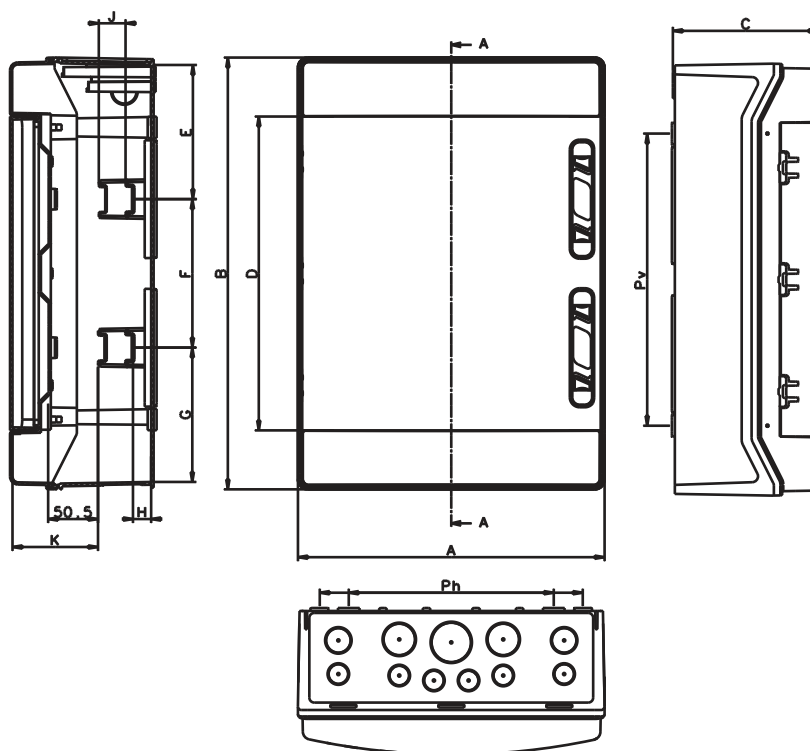
Ac<1000V

In<125A

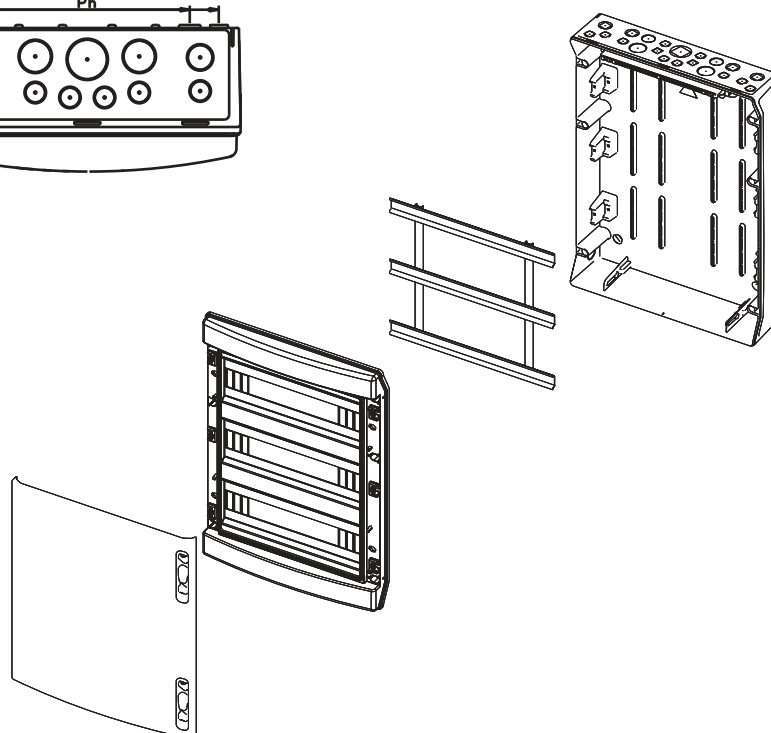
Cc<1500V

Fr<100Hz

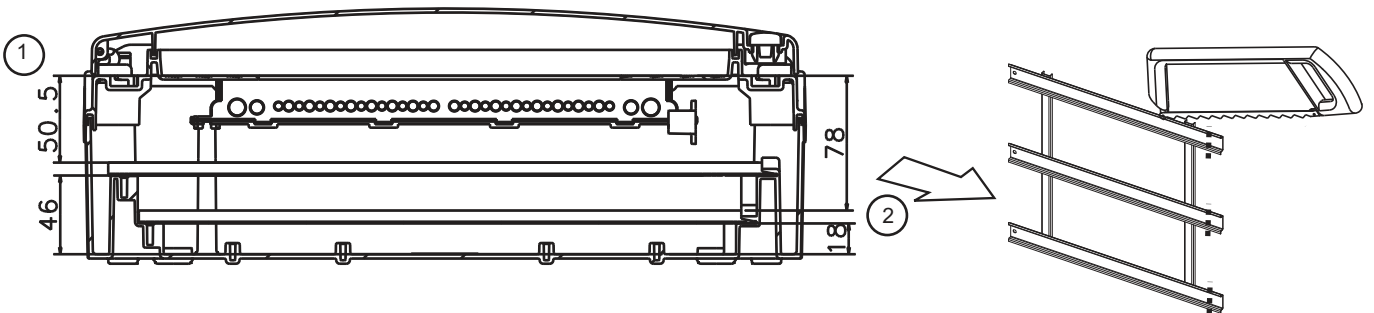
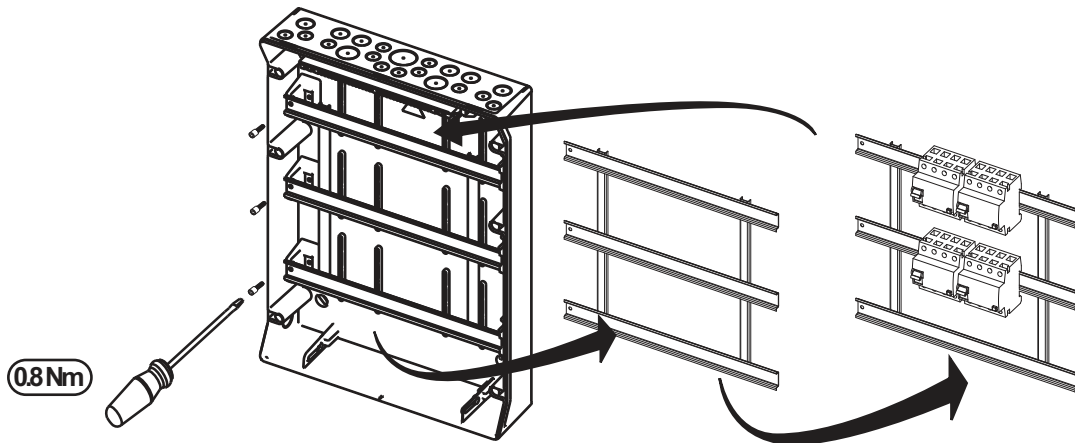
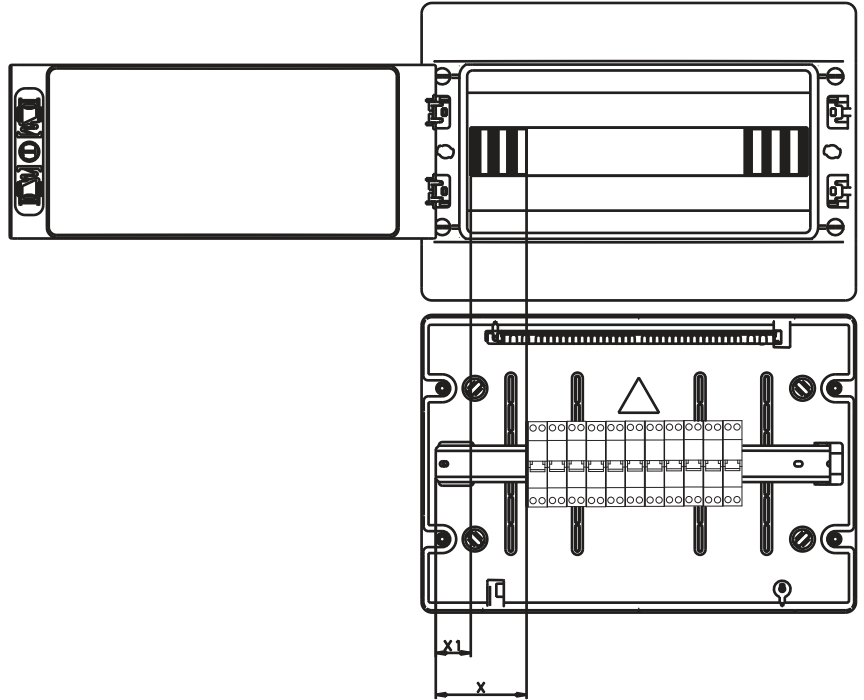
Type mm.	A	B	C	D	E	F	G	H	J	K	Ph	Pv
65S04	166	231	113	150	115<	--	100<	16	--	78-82	76/126	121
65S06	202	231	113	150	115<	--	100<	16	--	78-82	97/162	121
65S08	238	231	118	150	115<	--	100<	16	--	81-86	133/198	121
65S12	310	246	148	167	115<	--	115<	18	28	76-87	207/270	121
65S18	418	286	148	167	135<	--	135<	18	28	76-87	315/378	145
65S24	310	436	148	317	135<	150	135<	18	28	76-87	207/270	295
65S36_2	418	436	148	317	135<	150	135<	18	28	76-87	315/378	295
65S36_3	310	586	148	467	135<	2x150	135<	18	28	76-87	207/270	445
65S54	418	586	148	467	135<	2x150	135<	18	28	76-87	315/378	445

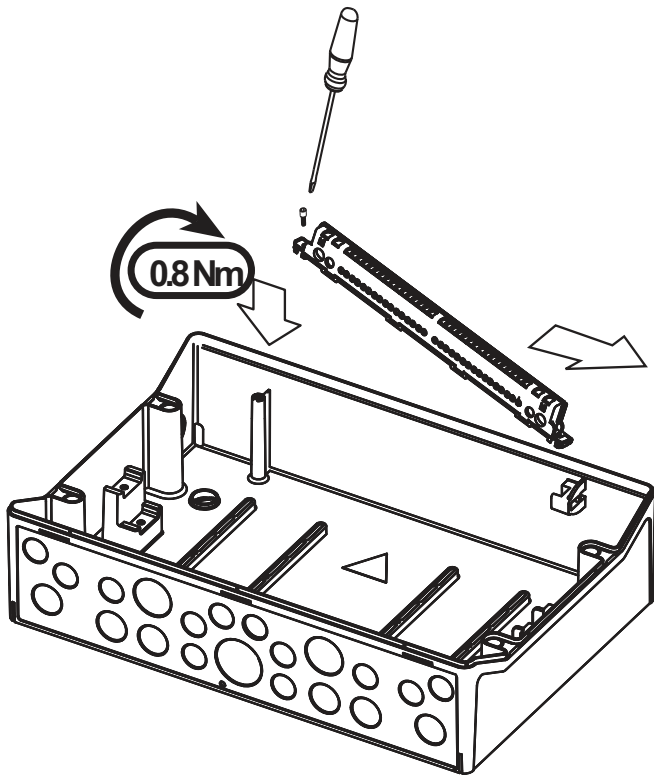


		65S..	65S../RR
	65S04/06/08/12/18 65S24/36_2 65S36_3/54	4x 4x 6x	4x 4x 6x
	65S....	4x	4x
	65S04 65S06/08/12/18 65S24/36_2 65S36_3/54	- 1x 2x 3x	- 1x 2x 3x
	65S04/06/08/12/18 65S24/36_2 65S36_3/54	1x 2x 3x	1x 2x 3x
	65S04/06/08/12/18 65S24 65S36_2/36_3/54	- - -	1x 1x 2x



	X (mm)	X1 (mm)
65S04	39	20.5
65S06	41.5	23
65S08	47.5	30
65S12	70.5	34
65S24	70.5	34
65S36_3	70.5	34
65S18	86	32
65S36_2	86	32
65S54	86	32





TYPE / TIPO	(N) (mm <sup>2</sup> )	(PE) (mm <sup>2</sup> )
65S04	3x(2.5-6mm <sup>2</sup> )+1x(4-10mm <sup>2</sup> )+1x(16-35mm <sup>2</sup> )	3x(2.5-6mm <sup>2</sup> )+1x(4-10mm <sup>2</sup> )+1x(16-35mm <sup>2</sup> )
65S06	3x(2.5-6mm <sup>2</sup> )+1x(4-10mm <sup>2</sup> )+1x(16-35mm <sup>2</sup> )	3x(2.5-6mm <sup>2</sup> )+1x(4-10mm <sup>2</sup> )+1x(16-35mm <sup>2</sup> )
65S08	5x(2.5-6mm <sup>2</sup> )+3x(4-10mm <sup>2</sup> )+1x(16-35mm <sup>2</sup> )	5x(2.5-6mm <sup>2</sup> )+3x(4-10mm <sup>2</sup> )+1x(16-35mm <sup>2</sup> )
65S12	6x(2.5-6mm <sup>2</sup> )+6x(4-10mm <sup>2</sup> )+1x(10-25mm <sup>2</sup> )+1x(16-35mm <sup>2</sup> )	6x(2.5-6mm <sup>2</sup> )+6x(4-10mm <sup>2</sup> )+1x(10-25mm <sup>2</sup> )+1x(16-35mm <sup>2</sup> )
65S24	8x(2.5-6mm <sup>2</sup> )+8x(4-10mm <sup>2</sup> )+1x(10-25mm <sup>2</sup> )+1x(16-35mm <sup>2</sup> )	8x(2.5-6mm <sup>2</sup> )+8x(4-10mm <sup>2</sup> )+1x(10-25mm <sup>2</sup> )+1x(16-35mm <sup>2</sup> )
65S36_3	12x(2.5-6mm <sup>2</sup> )+12x(4-10mm <sup>2</sup> )+1x(10-25mm <sup>2</sup> )+1x(16-35mm <sup>2</sup> )	12x(2.5-6mm <sup>2</sup> )+12x(4-10mm <sup>2</sup> )+1x(10-25mm <sup>2</sup> )+1x(16-35mm <sup>2</sup> )
65S18	8x(2.5-6mm <sup>2</sup> )+8x(4-10mm <sup>2</sup> )+1x(10-25mm <sup>2</sup> )+1x(16-35mm <sup>2</sup> )	8x(2.5-6mm <sup>2</sup> )+8x(4-10mm <sup>2</sup> )+1x(10-25mm <sup>2</sup> )+1x(16-35mm <sup>2</sup> )
65S36_2	12x(2.5-6mm <sup>2</sup> )+12x(4-10mm <sup>2</sup> )+1x(10-25mm <sup>2</sup> )+1x(16-35mm <sup>2</sup> )	12x(2.5-6mm <sup>2</sup> )+12x(4-10mm <sup>2</sup> )+1x(10-25mm <sup>2</sup> )+1x(16-35mm <sup>2</sup> )
65S54	12x(2.5-6mm <sup>2</sup> )+12x(4-10mm <sup>2</sup> )+1x(10-25mm <sup>2</sup> )+1x(16-35mm <sup>2</sup> )	12x(2.5-6mm <sup>2</sup> )+12x(4-10mm <sup>2</sup> )+1x(10-25mm <sup>2</sup> )+1x(16-35mm <sup>2</sup> )

