

COMBI

IP40 SURFACE DISTRIBUTION BOXES

Description: IP40 SURFACE BOX 1x8 MOD. OPAQUE WINDOW. N&E BARS

Reference:
BV8PO/RR

Characteristics:

Product type:	Surface distribution boxes with neutral and earth bars
Exterior dimensions (Height x Width x Depth):	228x191x99 mm
Dimensions of the flush-fit gap (HxWxD):	-
Number of modules:	1x8 DIN rail
Installation:	Surface
Color:	White RAL 9003
Window:	Opaque
Weight (Kg):	0,7
Cable entry:	Top: 4xM25-3xM25/32. Bottom: 4xM25-3xM25/32. Left: 1xM25/32. Right: 1xM25/32
Components:	Cable section N&E: 1x(10-25mm ²)+1x(4-10 mm ²)+8x(2,5-6 mm ²)
Materials:	Halogen-free plastic materials. Base, frame and window: ABS

Technical data:

Degree of protection:	IP40
Resistance to impact:	IK08
Glow wire resistance:	650 °C
Ball pressure test:	70 °C
Ambient temperature range:	-25 °C / +40 °C
Maximum operating voltage:	1000 V AC / 1500 V DC
Double insulation:	Class II

Certificates and standards:

Directive:	2014/35/EU
Standards:	UNE-EN 62208 and UNE-EN 61439-1 (as applicable)
Certificates:	



Codes:

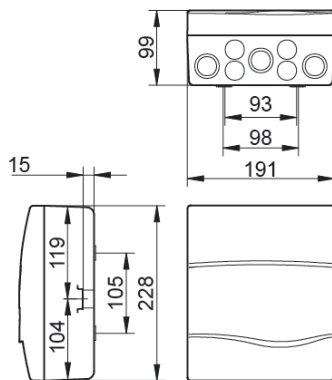
EAN:	8431044247526
Customs tariff number:	85.38.10.00
ETIM 6.0:	EC001893

COMBI

IP40 SURFACE DISTRIBUTION BOXES

Description: IP40 SURFACE BOX 1x8 MOD. OPAQUE WINDOW. N&E BARS

Reference: BV8PO/RR



Exterior dimensions (Height x Width x Depth):

228x191x99 mm

Dimensions of the flush-fit gap (Height x Width x Depth):

-

Sustainability:

RoHS - REACH

Supply:

Supplied in individual cardboard packaging. When several items are sent together, they are bundled together with transparent film.

Packaging units: 10

Product end of life:

It does not require specific recycling operations.

Recommended applications:

Tertiary and residential sectors. For use indoors, designed for surface installation. Flats, houses, offices, hotels, etc.

Instrucciones de montaje
 Installation Instructions
 Notice d'installation
 Istruzioni per il montaggio
 Montageanweisung
 Montageanleitung

Montagevejledning
 Οδηγίες εγκατάστασης
 Instruções de montagem
 Monteringsanvisning
 Asennusohje
 Návod k montáži

Paigaldusjuhend
 Szerelési utasítás
 Montāžas instrukcija
 Montavimo instrukcija
 Instrukcja montażu
 Navodila za montažo

Νάvod na montáž
 Монтажни инструкции
 Instruções de montaj
 Инструкция по монтажу
 安装说明

IEC/EN 62208

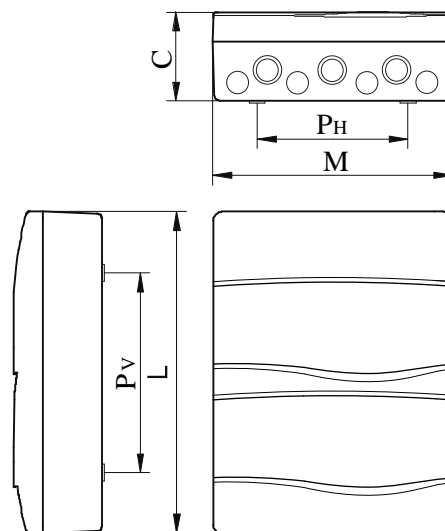
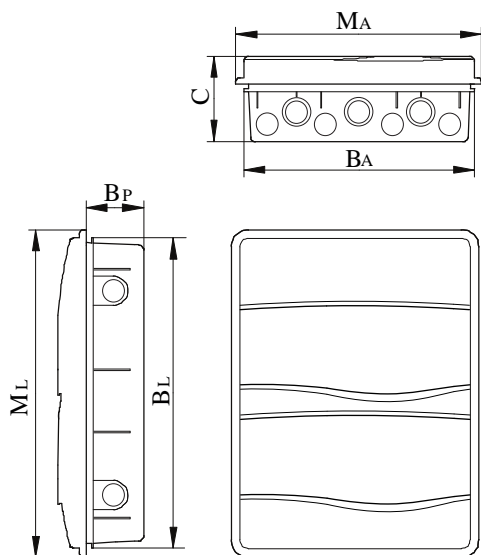
AC<=1000V DC<=1500V

IEC/EN 60670-24

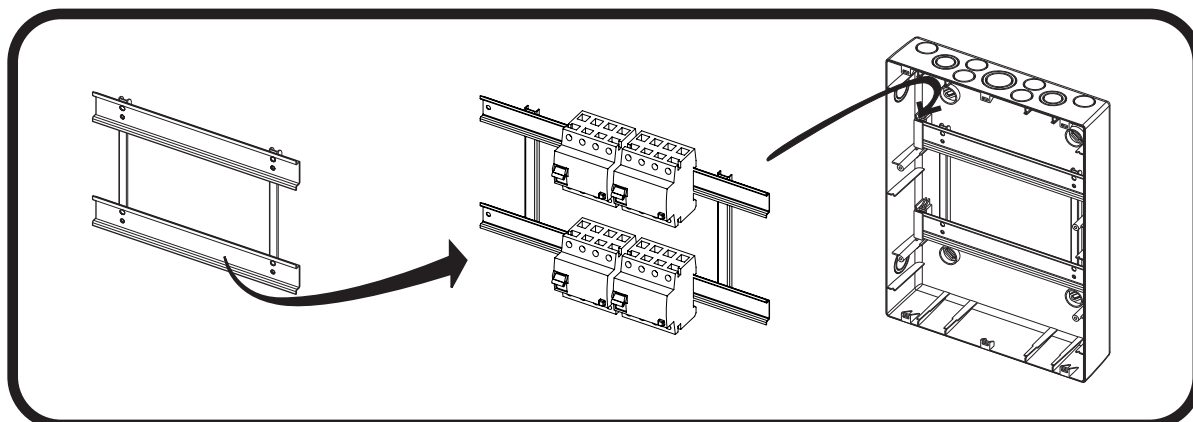
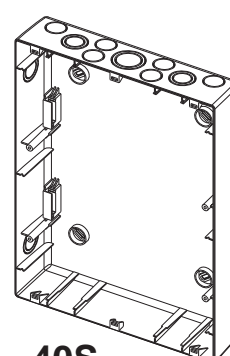
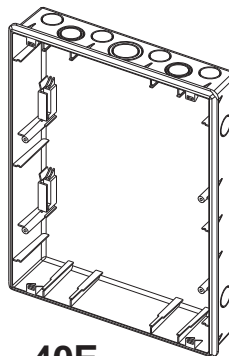
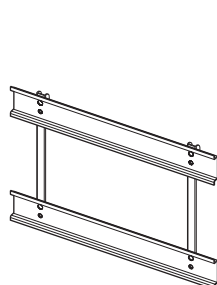
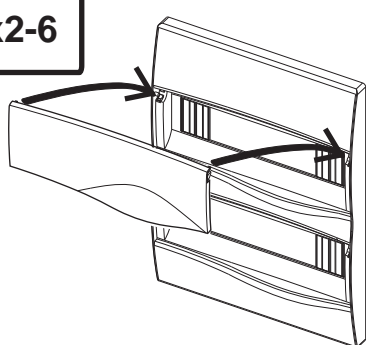
AC/DC<=400V

TYPE / TIPO	M _A	M _L	B _A	B _L	B _P	C
40E04	120	228	120	228	65	97
40E08	210	248	190	228	65	97
40E12	283	248	263	228	65	97
40E24	283	373	263	353	65	97
40E36	283	517	263	497	65	97

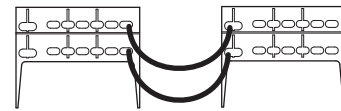
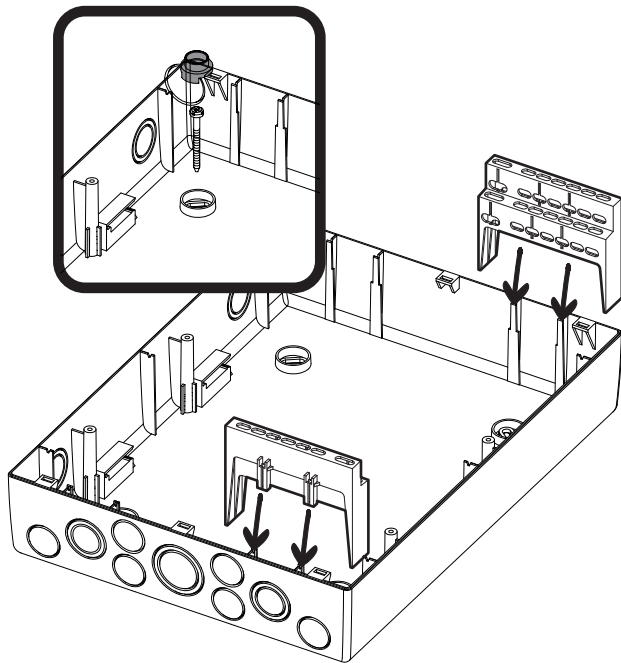
TYPE / TIPO	M	L	C	P _H	P _V
40S04	120	228	99	---	180
40S08	191	228	99	93	105
40S12	264	228	99	138	116
40S24	264	353	99	166	220
40S36	264	497	99	169	361



 x2-6

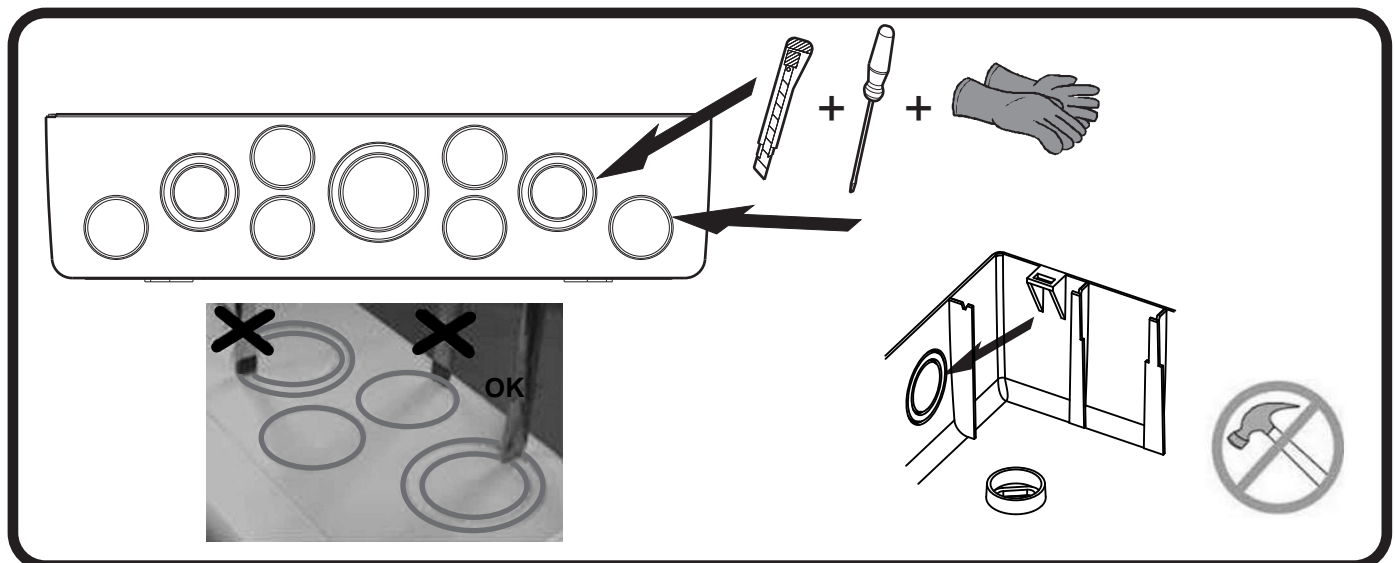


40S....



Ø10mm
I=63A

TYPE / TIPO	(N) (mm ²)	(PE) (mm ²)
40S04 - 40E04	2x(2.5-6mm ²)+2x(4-10mm ²)+2x(16-35mm ²)	2x(2.5-6mm ²)+2x(4-10mm ²)+2x(16-35mm ²)
40S08 - 40E08	4x(2.5-6mm ²)+4x(4-10mm ²)+2x(16-35mm ²)	4x(2.5-6mm ²)+4x(4-10mm ²)+2x(16-35mm ²)
40S12 - 40E12	6x(2.5-6mm ²)+6x(4-10mm ²)+2x(16-35mm ²)	6x(2.5-6mm ²)+6x(4-10mm ²)+2x(16-35mm ²)
40S24 - 40E24	8x(2.5-6mm ²)+8x(4-10mm ²)+1x(10-25mm ²)+1x(16-35mm ²)	8x(2.5-6mm ²)+8x(4-10mm ²)+1x(10-25mm ²)+1x(16-35mm ²)
40S36 - 40E36	12x(2.5-6mm ²)+12x(4-10mm ²)+1x(10-25mm ²)+1x(16-35mm ²)	12x(2.5-6mm ²)+12x(4-10mm ²)+1x(10-25mm ²)+1x(16-35mm ²)



DISIPACIÓN DE POTENCIA (W) SEGÚN AUMENTO DE TEMPERATURA (°C)

Tipo Type	Dimensiones Dimensions (m)			POWER DISSIPATION (W) ACCORDING TO INCREASE OF TEMPERATURE (° C)					
	ANCHO WIDTH	ALTO HEIGHT	PROF. DEPTH						
				20	25	30	35	40	
40E04	0,12	0,228	0,065	4,1	5,1	6,2	7,2	8,2	
40E08	0,19	0,228	0,065	5,9	7,4	8,8	10,3	11,8	
40E12	0,263	0,228	0,065	7,8	9,7	11,6	13,6	15,5	
40E24	0,263	0,353	0,065	11,5	14,4	17,3	20,2	23,1	
40E36	0,263	0,497	0,065	15,9	19,9	23,9	27,8	31,8	

Datos calculados según la norma CEI 890

Tipo Type	Dimensiones Dimensions (m)			POWER DISSIPATION (W) ACCORDING TO INCREASE OF TEMPERATURE (° C)					
	ANCHO WIDTH	ALTO HEIGHT	PROF. DEPTH						
				20	25	30	35	40	
40S04	0,12	0,228	0,099	6,7	8,4	10,0	11,7	13,4	
40S08	0,191	0,228	0,099	9,0	11,2	13,4	15,7	17,9	
40S12	0,264	0,228	0,099	11,3	14,1	17,0	19,8	22,6	
40S24	0,264	0,353	0,099	16,1	20,1	24,1	28,2	32,2	
40S36	0,264	0,497	0,099	21,6	27,0	32,4	37,8	43,2	

Data calculated according to standard CEI 890