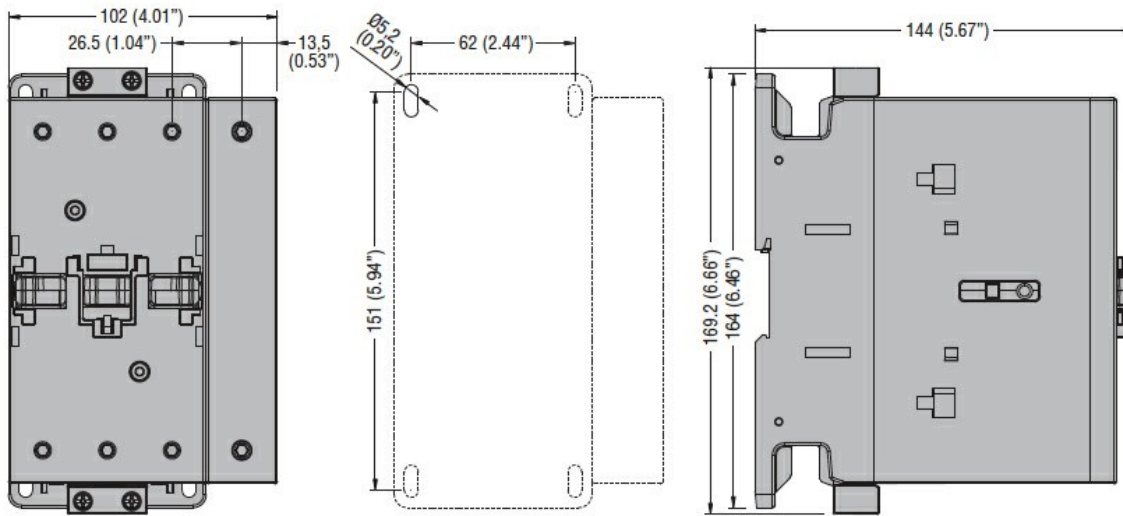




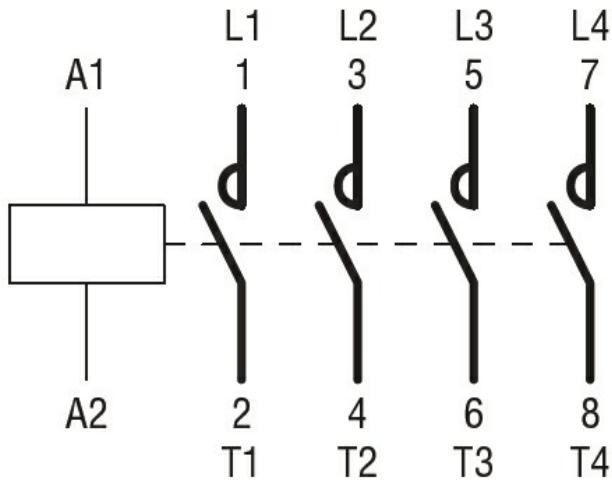
Product designation				Power contactor
Product type designation				BF115
Contact characteristics				
Number of poles	nr.			4
Rated insulation voltage U _i IEC/EN	V			1000
Rated impulse withstand voltage U _{imp}	kV			8
Operational frequency	min	Hz		25
	max	Hz		400
IEC Conventional free air thermal current I _{th}	A			160
Operational current I _e	AC-1 (≤40°C)	A		160
	AC-1 (≤55°C)	A		130
	AC-1 (≤70°C)	A		115
	AC-3 (≤440V ≤55°C)	A		115
	AC-4 (400V)	A		54
IEC max current I _e in DC1 with L/R ≤ 1ms with 1 poles in series	≤24V	A		160
	48V	A		160
	75V	A		120
	110V	A		10
	220V	A		–
	IEC max current I _e in DC1 with L/R ≤ 1ms with 2 poles in series	≤24V	A	
48V		A		160
75V		A		160
110V		A		130
220V		A		14
IEC max current I _e in DC1 with L/R ≤ 1ms with 3 poles in series		≤24V	A	
	48V	A		160
	75V	A		160
	110V	A		140
	220V	A		145
	IEC max current I _e in DC1 with L/R ≤ 1ms with 4 poles in series	≤24V	A	
48V		A		160
75V		A		160
110V		A		160
220V		A		160
IEC max current I _e in DC3-DC5 with L/R ≤ 15ms with 1 poles in series		≤24V	A	
	48V	A		50
	75V	A		40
	110V	A		6

	220V	A	–
IEC max current I _e in DC3-DC5 with L/R ≤ 15ms with 2 poles in series	≤24V	A	160
	48V	A	72
	75V	A	65
	110V	A	65
	220V	A	7
IEC max current I _e in DC3-DC5 with L/R ≤ 15ms with 3 poles in series	≤24V	A	160
	48V	A	150
	75V	A	100
	110V	A	100
	220V	A	92
IEC max current I _e in DC3-DC5 with L/R ≤ 15ms with 4 poles in series	≤24V	A	160
	48V	A	120
	75V	A	120
	110V	A	125
	220V	A	115
Short-time allowable current for 10s (IEC/EN60947-1)		A	920
Protection fuse	gG (IEC)	A	200
	aM (IEC)	A	125
Making capacity (RMS value)		A	1500
Breaking capacity at voltage	440V	A	1200
	500V	A	850
	690V	A	905
Resistance per pole (average value)		mΩ	0.45
Power dissipation per pole (average value)	I _{th}	W	11.5
	AC3	W	6.0
Tightening torque for terminals	min	Nm	6
	max	Nm	7
	min	I _{bin}	4.4
	max	I _{bin}	5.2
Tightening torque for coil terminal	min	Nm	0.8
	max	Nm	1
	min	I _{bft}	0.59
	max	I _{bft}	0.74
Conductor section	Flexible w/o lug conductor section		
	min	mm ²	1.5
	max	mm ²	70
	Flexible c/w lug conductor section		
	min	mm ²	1.5
	max	mm ²	70
Power terminal protection according to IEC/EN 60529	IP20 front		
Mechanical features			
Operating position	normal		Vertical plan

		allowable		±30°
Fixing				Screw / DIN rail 35mm
Weight			g	2420
Operations				
Mechanical life			cycles	15000000
Electrical life			cycles	1200000
AC coil operating				
Rated AC voltage at 50/60Hz			V	230
AC operating voltage				
	of 50/60Hz coil powered at 50Hz			
	pick-up			
		max	%Us	110
	drop-out			
		min	%Us	20
		max	%Us	55
	of 50/60Hz coil powered at 60Hz			
	pick-up			
		min	%Us	85
		max	%Us	110
	drop-out			
		min	%Us	40
		max	%Us	55
Max cycles frequency				
Mechanical operation			cycles/h	1500
Operating times				
Average time for Us control				
	in AC			
	Closing NO			
		min	ms	16
		max	ms	32
	Opening NO			
		min	ms	9
		max	ms	24
UL technical data				
General USE				
	Contactor			
		AC current	A	165
Ambient conditions				
Temperature				
	Operating temperature			
		min	°C	-50
		max	°C	70
	Storage temperature			
		min	°C	-60
		max	°C	+80
Max altitude			m	3000
Dimensions				



Wiring diagrams



Certifications and compliance

Compliance

CSA C22.2 n° 60947-1
CSA C22.2 n° 60947-4-1
IEC/EN 60947-1
IEC/EN 60947-4-1
UL 60947-1
UL 60947-4-1

Certificates

CCC
cULus
EAC

ETIM classification

ETIM 8.0

EC000066 -
Power contactor,
AC switching