



Type	T1-3,7KVA 230/230V IP00
Description	Single-phase transformer 3,7KVA
Product code	T1-3,7
Standards	EN.61558

Date 10/05/2021

Rated Power	3,7 KVA
--------------------	---------

Input	
Rated input voltage	230 V
Rated frequency	50-60 Hz
Primary current	17 A
Winding material	Al

Output	
Rated output voltage	230 V
Secondary current	16,1 A
Winding material	Al

Marks	CE
--------------	----

Environment	
Cooling method	AN
Ambient temperature max	40 °C/F
Winding temperature rise class	CLASS F
Altitude	1000 mt

Terminals and mounting	
Terminals	TERMINAL BLOCKS
Fixing method	SCREWS

Dimensions(mm) and weight (kg)			
A	B	C	Weight
240	190	205	39

Performance (50Hz)	
No-load losses	70 W
Load losses at 75 °C	96 W
Efficiency at 75° C	95,70%
Inrush current	20 x I _n

Safety and protection	
Insulation class	CLASS F
Working class	CLASS F
Protection degree	IP00
Test voltage	4 KV/1'
V ₂₀	232,3 V

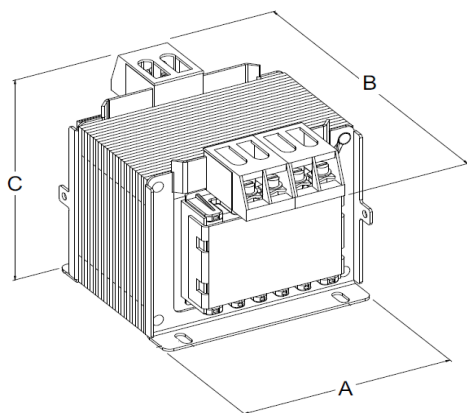


FIG.1

