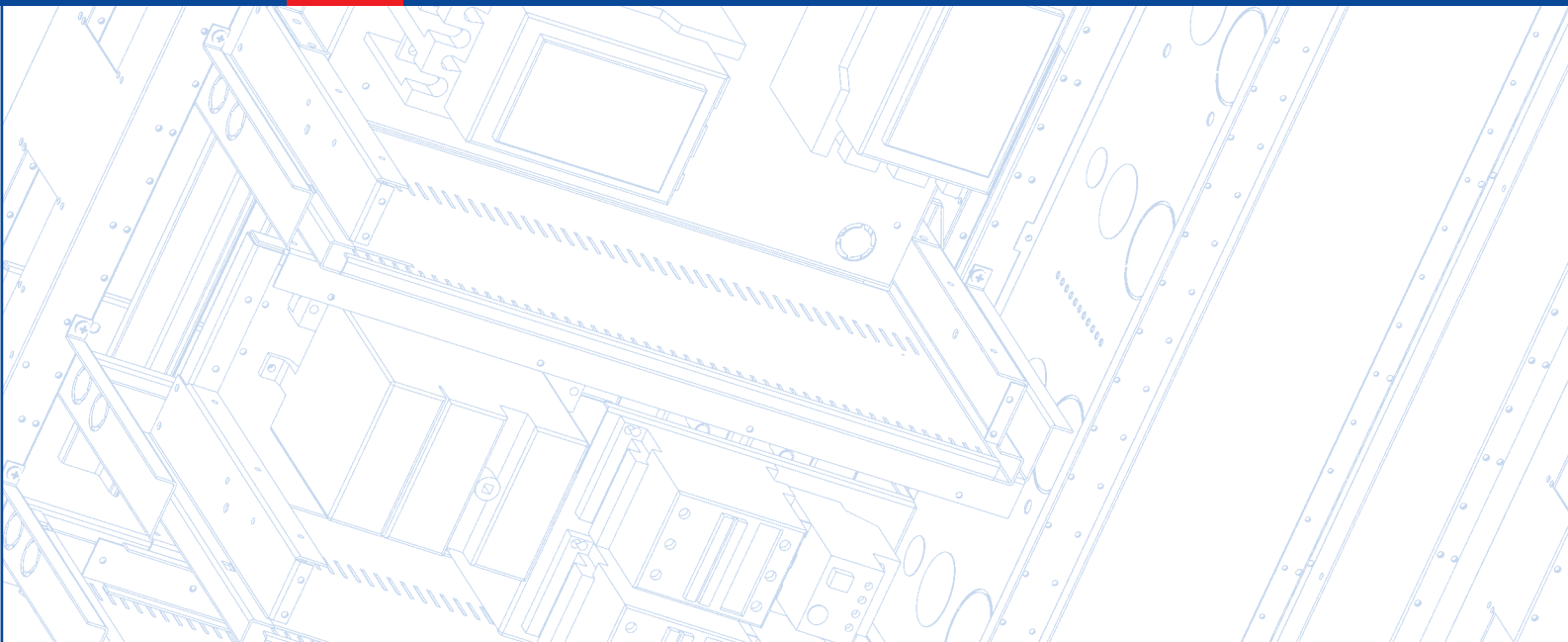
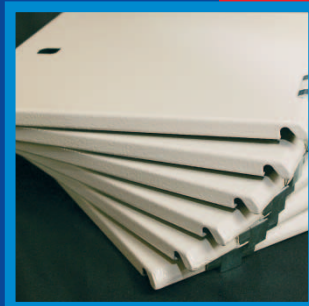
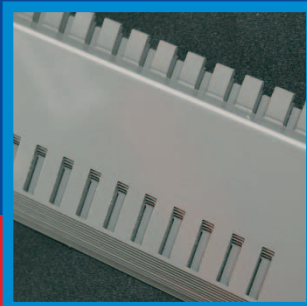
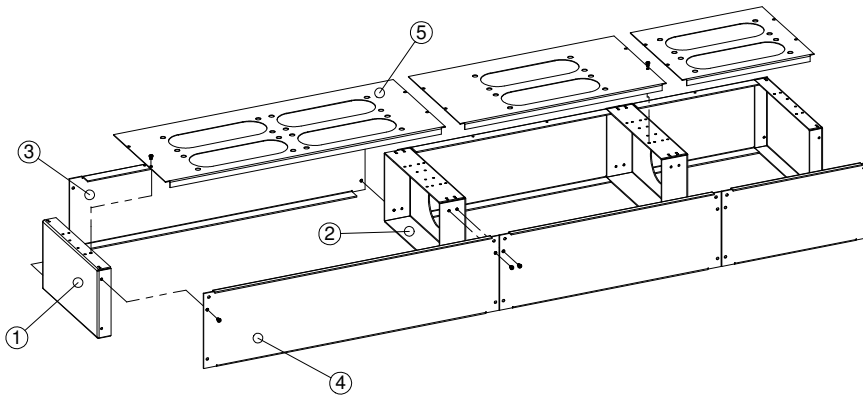


# Screen-protected enclosure and cellular centre system

 **Mecha-Flex**



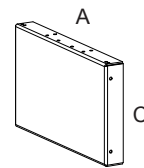
## BASE COMPONENTS, ENCLOSURE STRUCTURE



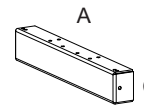
- ① Base end
- ② Base divider
- ③ Base back plate
- ④ Base front plate
- ⑤ Base bottom plate

### 1. BASE ENDS

Code	Description	Depth mm (A)	Height mm (C)	Colour
50029051	Base end 16	160	140	zn
50029052	Base end 25	250	140	zn
50029053	Base end 32	320	140	zn
50029211	Base end 164	160	40	zn
50029212	Base end 254	250	40	zn
50029213	Base end 324	320	40	zn



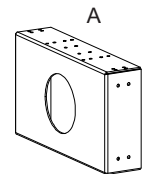
50029052 Base end 25



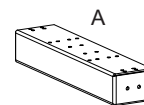
50029212 Base end 25

### 2. BASE DIVIDERS

Code	Description	Depth mm (A)	Height mm (C)	Colour
50029054	Base divider 16	160	140	zn
50029055	Base divider 25	250	140	zn
50029056	Base divider 32	320	140	zn
50029214	Base divider 164	160	40	zn
50029215	Base divider 254	250	40	zn
50029216	Base divider 324	320	40	zn



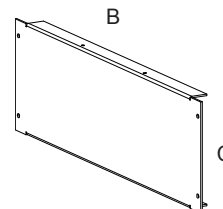
50029055 Base divider 25



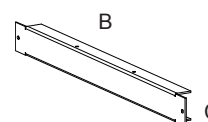
50029215 Base divider 25

### 3. BASE BACK PLATES

Code	Description	Width mm (B)	Height mm (C)	Colour
50029069	Base back plate 20	200	140	zn
50029057	Base back plate 30	300	140	zn
50029058	Base back plate 45	450	140	zn
50029059	Base back plate 60	600	140	zn
50029050	Base back plate 75	750	140	zn
50029220	Base back plate 240	200	140	zn
50029217	Base back plate 340	300	140	zn
50029218	Base back plate 440	450	140	zn
50029219	Base back plate 640	600	140	zn
50029221	Base back plate 740	750	140	zn



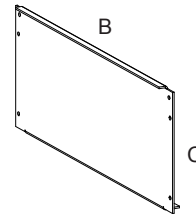
50029058 Base back plate 45



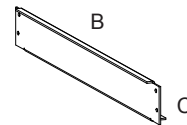
50029218 Base back plate 440

#### 4. BASE FRONT PLATES

Code	Description	Width mm (B)	Height mm (C)	Colour
50528064	Base front plate 20	200	140	zn
50528065	Base front plate 30	300	140	zn
50528066	Base front plate 45	450	140	zn
50528067	Base front plate 60	600	140	zn
50528068	Base front plate 75	750	140	zn
50528115	Base front plate 204	200	40	zn
50528101	Base front plate 304	300	40	zn
50528102	Base front plate 454	450	40	zn
50528103	Base front plate 604	600	40	zn
50528109	Base front plate 754	750	40	zn



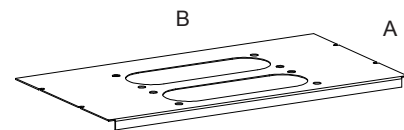
50028065 Base front plate 45



50028101 Base front plate 454

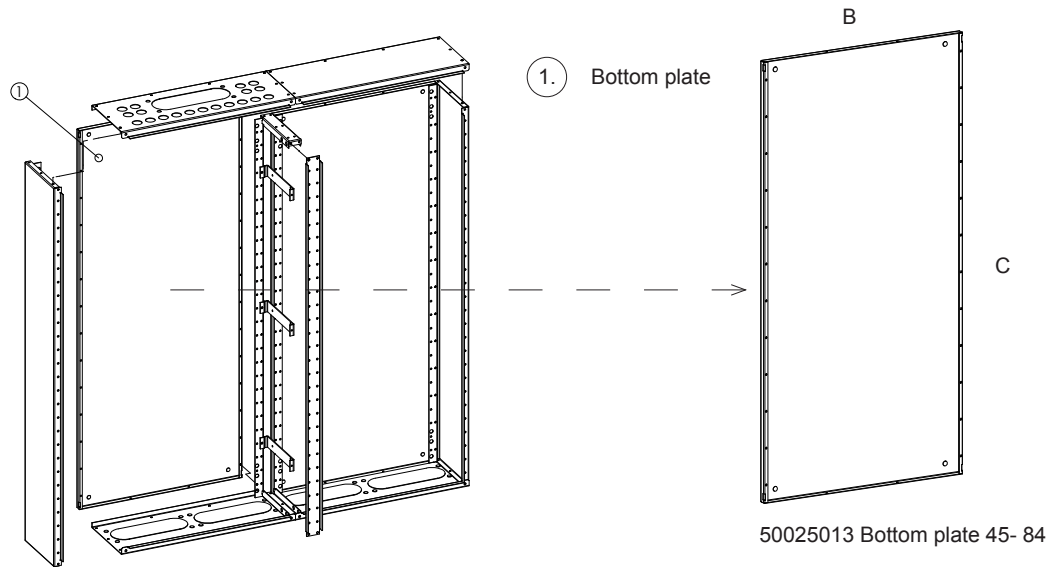
#### 5. BASE BOTTOM PLATES

Code	Description	Depth mm (A)	Width mm (B)	Colour
50029066	Base bottom plate 130	160	300	zn
50029067	Base bottom plate 145	160	450	zn
50029068	Base bottom plate 160	160	600	zn
50029079	Base bottom plate 220	250	200	zn
50029063	Base bottom plate 230	250	300	zn
50029064	Base bottom plate 245	250	450	zn
50029065	Base bottom plate 260	250	600	zn
50029084	Base bottom plate 275	250	750	zn
50029060	Base bottom plate 330	320	300	zn
50029061	Base bottom plate 345	320	450	zn
50029062	Base bottom plate 360	320	600	zn
50029083	Base bottom plate 375	320	750	zn



50029064 Base bottom plate 245

## BOTTOM PLATES, ENCLOSURE STRUCTURE

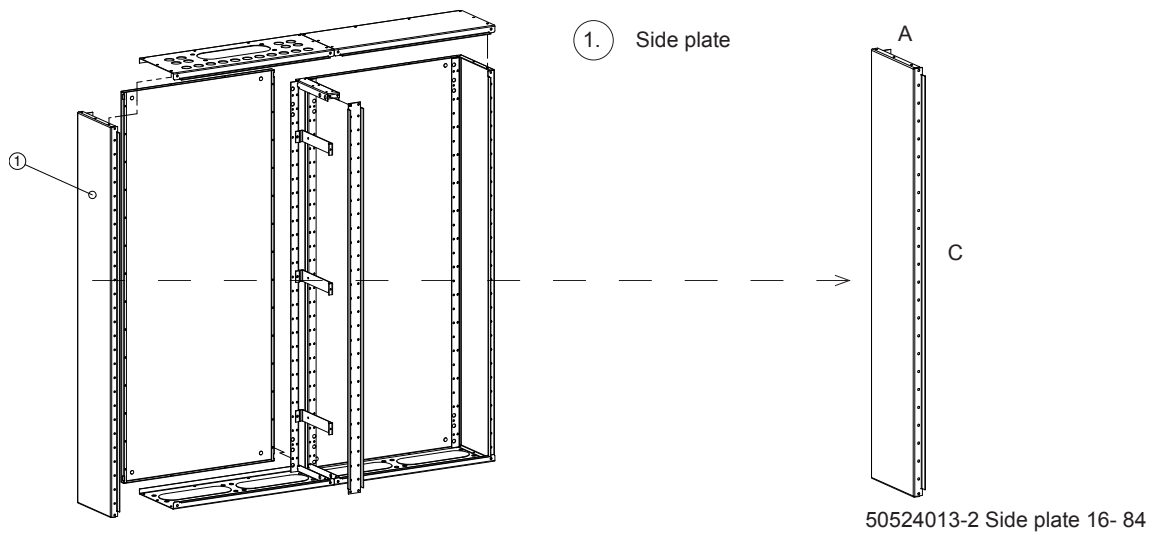


### 1. BOTTOM PLATES

Code	Description	Width mm (B)	Height mm (C)	Colour
50025009	Bottom plate 20-140	200	140	zn
50025045	Bottom plate 20-168	200	168	zn
50025000	Bottom plate 20-196	200	196	zn
50025008	Bottom plate 30- 28	300	280	zn
50025001	Bottom plate 30- 42	300	420	zn
50025002	Bottom plate 30- 56	300	560	zn
50025041	Bottom plate 30- 70	300	700	zn
50025003	Bottom plate 30- 84	300	840	zn
50025046	Bottom plate 30- 98	300	980	zn
50025004	Bottom plate 30-112	300	1120	zn
50025005	Bottom plate 30-140	300	1400	zn
50025006	Bottom plate 30-168	300	1680	zn
50025007	Bottom plate 30-196	300	1960	zn
50025010	Bottom plate 45- 28	450	280	zn
50025011	Bottom plate 45- 42	450	420	zn
50025012	Bottom plate 45- 56	450	560	zn
50025042	Bottom plate 45- 70	450	700	zn
50025013	Bottom plate 45- 84	450	840	zn
50025044	Bottom plate 45- 98	450	980	zn
50025014	Bottom plate 45-112	450	1120	zn
50025015	Bottom plate 45-140	450	1400	zn
50025016	Bottom plate 45-168	450	1680	zn
50025017	Bottom plate 45-196	450	1960	zn

Code	Description	Width mm (B)	Height mm (C)	Colour
50025020	Bottom plate 60- 28	600	280	zn
50025021	Bottom plate 60- 42	600	420	zn
50025022	Bottom plate 60- 56	600	560	zn
50025043	Bottom plate 60- 70	600	700	zn
50025023	Bottom plate 60- 84	600	840	zn
50025047	Bottom plate 60- 98	600	980	zn
50025024	Bottom plate 60-112	600	1120	zn
50025025	Bottom plate 60-140	600	1400	zn
50025026	Bottom plate 60-168	600	1680	zn
50025027	Bottom plate 60-196	600	1960	zn
50025050	Bottom plate 75- 28	750	280	zn
50025051	Bottom plate 75- 42	750	420	zn
50025052	Bottom plate 75- 56	750	560	zn
50025053	Bottom plate 75- 70	750	700	zn
50025054	Bottom plate 75- 84	750	840	zn
50025048	Bottom plate 75- 98	750	980	zn
50025034	Bottom plate 75-112	750	1120	zn
50025035	Bottom plate 75-140	750	1400	zn
50025036	Bottom plate 75-168	750	1680	zn
50025037	Bottom plate 75-196	750	1960	zn

## SIDE PLATES, ENCLOSURE STRUCTURE

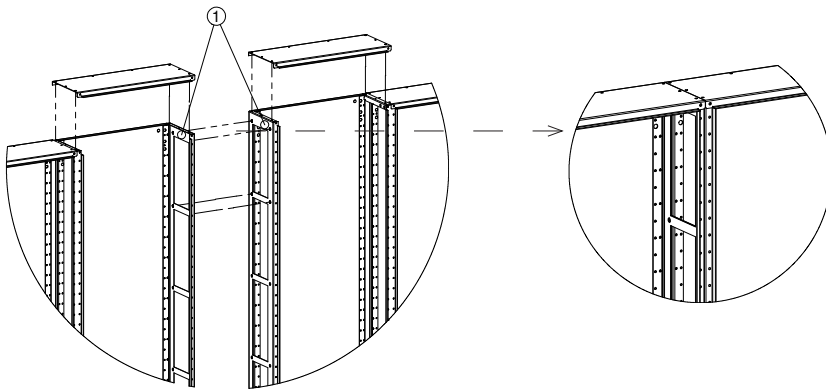


### 1. SIDE PLATES

Code	Description	Depth mm (A)	Height mm (C)	Colour
50524035-2	Side plate 8- 14	80	140	DH8080
50524031-2	Side plate 8- 28	80	280	DH8080
50524001-2	Side plate 8- 42	80	420	DH8080
50524002-2	Side plate 8- 56	80	560	DH8080
50524033-2	Side plate 8- 70	80	700	DH8080
50524003-2	Side plate 8- 84	80	840	DH8080
50524008-2	Side plate 8- 98	80	980	DH8080
50524004-2	Side plate 8-112	80	1120	DH8080
50524005-2	Side plate 8-140	80	1400	DH8080
50524006-2	Side plate 8-168	80	1680	DH8080
50524007-2	Side plate 8-196	80	1960	DH8080
50524032-2	Side plate 16- 28	160	280	DH8080
50524011-2	Side plate 16- 42	160	420	DH8080
50524012-2	Side plate 16- 56	160	560	DH8080
50524034-2	Side plate 16- 70	160	700	DH8080
50524013-2	Side plate 16- 84	160	840	DH8080
50524041-2	Side plate 16- 98	160	980	DH8080
50524014-2	Side plate 16-112	160	1120	DH8080
50524015-2	Side plate 16-140	160	1400	DH8080
50524016-2	Side plate 16-168	160	1680	DH8080
50524017-2	Side plate 16-196	160	1960	DH8080

Code	Description	Depth mm (A)	Height mm (C)	Colour
50524037-2	Side plate 25- 42	250	420	DH8080
50524038-2	Side plate 25- 56	250	560	DH8080
50524039-2	Side plate 25- 70	250	700	DH8080
50524018-2	Side plate 25- 84	250	840	DH8080
50524023-2	Side plate 25- 98	250	980	DH8080
50524019-2	Side plate 25-112	250	1120	DH8080
50524020-2	Side plate 25-140	250	1400	DH8080
50524021-2	Side plate 25-168	250	1680	DH8080
50524022-2	Side plate 25-196	250	1960	DH8080
50524043-2	Side plate 32- 56	320	560	DH8080
50524040-2	Side plate 32- 84	320	840	DH8080
50524042-2	Side plate 32-112	320	1120	DH8080
50524088-2	Side plate 32-140	320	1140	DH8080
50524089-2	Side plate 32-168	320	1680	DH8080
50524036-2	Side plate 32-196	320	1960	DH8080

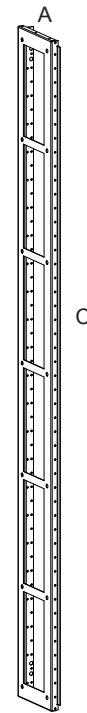
## EXTENSION SIDE PLATES, ENCLOSURE STRUCTURE



① Extension side plate

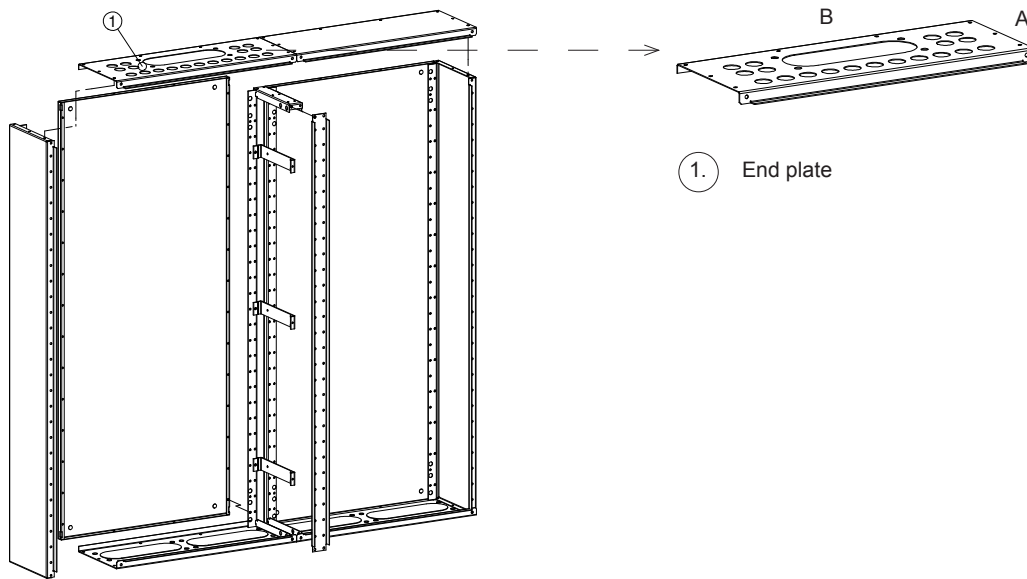
### ① EXTENSION SIDE PLATES

Code	Description	Depth mm (A)	Height mm (C)	Colour
50524024	Extension side plate 16-168	160	1680	zn
50524025	Extension side plate 16-196	160	1960	zn
50524028	Extension side plate 25-140	250	1400	zn
50524026	Extension side plate 25-168	250	1680	zn
50524027	Extension side plate 25-196	250	1960	zn



50524013-2 Extension side plate 16- 168

## ENDPLATES, ENCLOSURE-/CELL STRUCTURE



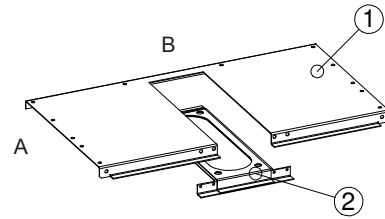
### 1. END PLATES (SEE LAYOUT FIGURES IN PAGE 8)

Code	Description	Depth mm (A)	Width mm (B)	Colour
50522999-2	End plate 20-25	250	200	DH8080
50523000-2	End plate 20-25 C	250	200	DH8080
50522998-2	End plate 20-32 C	320	200	DH8080
50523001-2	End plate 30- 8	80	300	DH8080
50523002-2	End plate 30- 8 T	80	300	DH8080
50523003-2	End plate 30-16	160	300	DH8080
50523004-2	End plate 30-16 TC	160	300	DH8080
50523005-2	End plate 30-25	250	300	DH8080
50523039-2	End plate 30-25 2C	250	300	DH8080
50523006-2	End plate 30-25 3C	250	300	DH8080
50523008-2	End plate 30-32	320	300	DH8080
50523007-2	End plate 30-32 C	320	300	DH8080
50523011-2	End plate 45- 8	80	450	DH8080
50523012-2	End plate 45- 8 T	80	450	DH8080
50523013-2	End plate 45-16	160	450	DH8080
50523015-2	End plate 45-16 2C	160	450	DH8080
50523020-2	End plate 45-16 P	160	450	DH8080
50523016-2	End plate 45-16 TC	160	450	DH8080
50523017-2	End plate 45-25	250	450	DH8080
50523018-2	End plate 45-25 C	250	450	DH8080
50523040-2	End plate 45-25 4C	250	450	DH8080

Code	Description	Depth mm (A)	Width mm (B)	Colour
50523058-2	End plate 45-32	320	450	DH8080
50523019-2	End plate 45-32 C	320	450	DH8080
50523021-2	End plate 60- 8	80	600	DH8080
50523022-2	End plate 60- 8 T	80	600	DH8080
50523023-2	End plate 60-16	160	600	DH8080
50523024-2	End plate 60-16 T/2C	160	600	DH8080
50523025-2	End plate 60-25	250	600	DH8080
50523041-2	End plate 60-25 4C	250	600	DH8080
50523026-2	End plate 60-25 6C	250	600	DH8080
50523057-2	End plate 60-32	320	600	DH8080
50523027-2	End plate 60-32 C	320	600	DH8080
50523033-2	End plate 75- 8	80	750	DH8080
50523034-2	End plate 75-16	160	750	DH8080
50523030-2	End plate 75-16 3C	160	750	DH8080
50523031-2	End plate 75-25	250	750	DH8080
50523032-2	End plate 75-25 C	250	750	DH8080
50523042-2	End plate 75-25 6C	250	750	DH8080
50523059-2	End plate 75-32	320	750	DH8080
50523035-2	End plate 75-32 C	320	750	DH8080
50523043-2	End plate 75-32 6C	320	750	DH8080

## 2. SPECIAL END PLATES (SEE LAYOUT FIGURES IN PAGE 8)

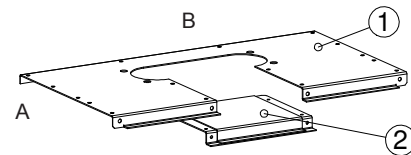
Code	Description	Depth mm (A)	Width mm (B)	Colour
50529171-2	Special end plate 30-25 E	250	300	DH8080
50529172-2	Special end plate 45-25 E	250	450	DH8080
50529173-2	Special end plate 60-25 E	250	600	DH8080
50529170-2	Feedthrough plate			DH8080



- 1. 50529172-2 Special end plate 45-25 E
- 2. 50529170-2 Feedthrough plate

## 3. SPECIAL END PLATES (SEE LAYOUT FIGURES IN PAGE 8)

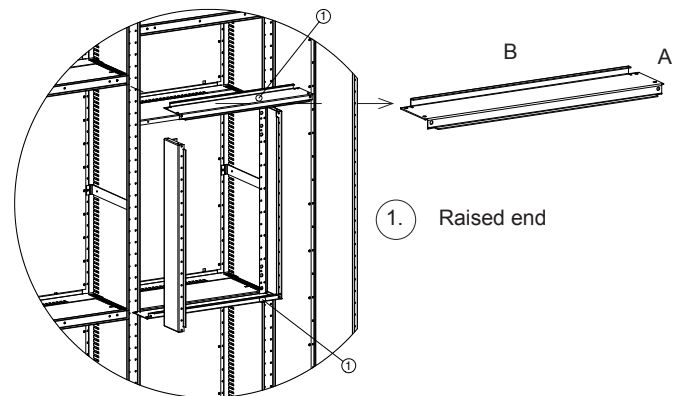
Code	Description	Depth mm (A)	Width mm (B)	Colour
50529181-2	Special end plate 30-25 EP	250	300	DH8080
50529182-2	Special end plate 45-25 EP	250	450	DH8080
50529183-2	Special end plate 60-25 EP	250	600	DH8080
50529180-2	Covering plate			DH8080



- 1. 50529182-2 Special end plate 45-25 EP
- 2. 50529180-2 Covering plate

## 4. RAISED ENDS

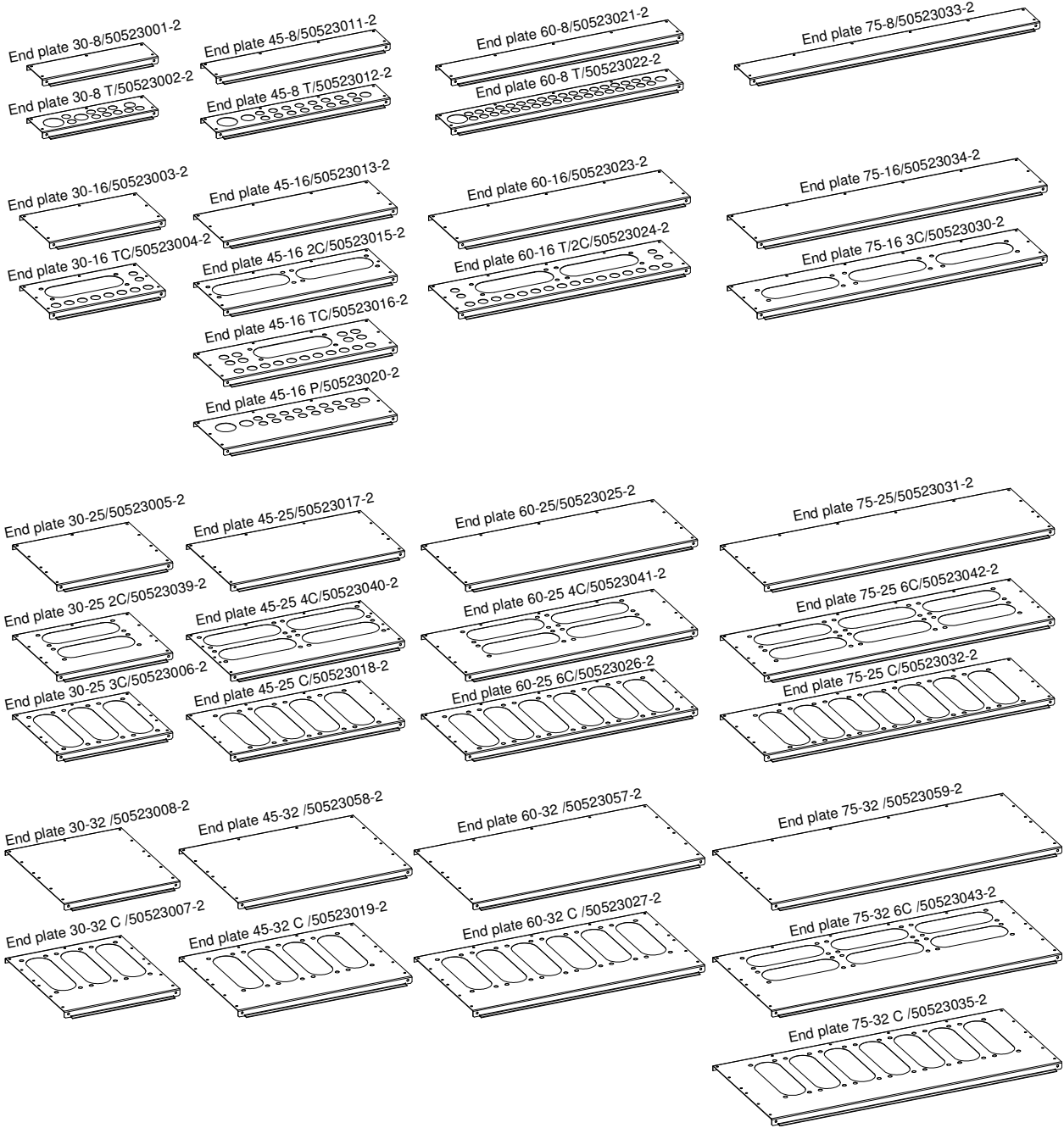
Code	Description	Depth mm (A)	Width mm (B)	Colour
50523061-2	Raised end 30	80	300	DH8080
50523062-2	Raised end 45	80	450	DH8080
50523063-2	Raised end 60	80	600	DH8080
50523064-2	Raised end 75	80	750	DH8080



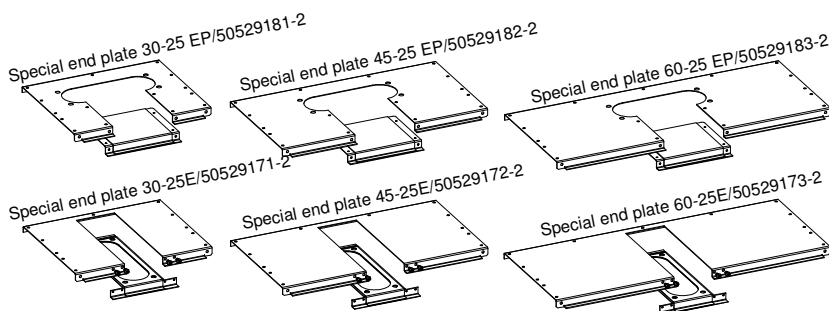
- 1. Raised end



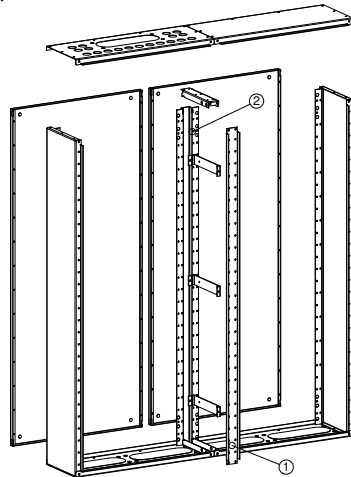
## END PLATES, ENCLOSURE-/CELL STRUCTURE



### SPECIAL END PLATES



## FRONT PROFILES, ENCLOSURE-/CELL STRUCTURE BACK PROFILES, ENCLOSURE STRUCTURE



- ① Front profile
- ② Back profile

### 1. FRONT PROFILES

Code	Description	Height mm (C)	Colour
50526013	Front profile 28	280	zn
50526014	Front profile 42	420	zn
50526015	Front profile 56	560	zn
50526012	Front profile 70	700	zn
50526016	Front profile 84	840	zn
50526016R	Front profi. 84, hole IP20	840	zn
50526021	Front profile 98	980	zn
50526021R	Front prof. 98, hole IP20	980	zn
50526017	Front profile 112	1120	zn
50526017R	Front prof. 112, hole IP20	1120	zn
50526018	Front profile 140	1400	zn
50526018R	Front prof. 140, hole IP20	1400	zn
50526019	Front profile 168	1680	zn
50526019R	Front prof. 68, hole IP20	1680	zn
50526020	Front profile 196	1960	zn
50526020R	Front prof. 196, hole IP20	1960	zn
50526022	Front profile 224	2240	zn



50526016 Front profile 84

### 2. BACK PROFILES

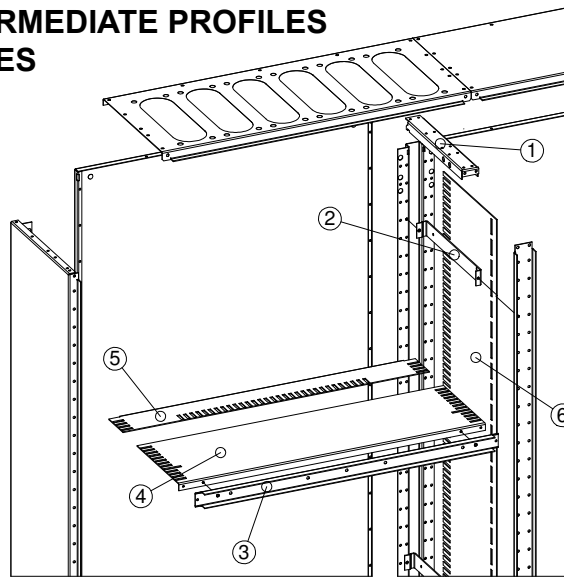
Code	Description	Height mm (C)	Colour
50026002	Back profile 28	280	zn
50026004	Back profile 42	420	zn
50026005	Back profile 56	560	zn
50026011	Back profile 70	700	zn
50026006	Back profile 84	840	zn
50026003	Back profile 98	980	zn
50026007	Back profile 112	1120	zn
50026008	Back profile 140	1400	zn
50026009	Back profile 168	1680	zn
50026010	Back profile 196	1960	zn



50026006 Back profile 84

## ENCLOSURE-/CELL STRUCTURE

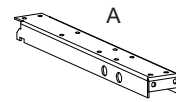
### END- AND INTERMEDIATE SUPPORTS HORIZONTAL INTERMEDIATE PROFILES DRIP COVER PLATES DIVIDERS



- 1. End support
- 2. Intermediate support
- 3. Horizontal intermediate profile
- 4. Front drip cover plate
- 5. Rear drip cover plate
- 6. Divider

#### 1. END SUPPORTS

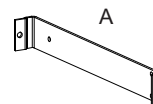
Code	Description	Depth mm (A)	Colour
50526030	End support 8	80	zn
50026031	End support 16	160	zn
50026032	End support 25	250	zn
50026033	End support 32	320	zn



50026032 End support 25

#### 2. INTERMEDIATE SUPPORTS

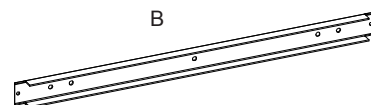
Code	Description	Depth mm (A)	Colour
50526070	Intermediate support 8	80	zn
50026071	Intermediate support 16	160	zn
50026072	Intermediate support 25	250	zn
50026073	Intermediate support 32	320	zn



50026072 Intermediate support 25

#### 3. HORIZONTAL INTERMEDIATE PROFILES

Code	Description	Width mm (B)	Colour
50052091	Horizontal profile 30	300	zn
50052101	Horizontal profile 45	450	zn
50052111	Horizontal profile 60	600	zn
50052121	Horizontal profile 75	750	zn
50526079	Horizontal profile 30 *	300	zn
50526080	Horizontal profile 45 *	450	zn
50526081	Horizontal profile 60 *	600	zn
50526082	Horizontal profile 75 *	750	zn

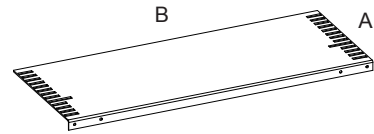


50052101 Intermediate Horizontal profile 45

\* Note! The Horizontal profiles, code beginning in 5052-, the mounting holes of the drop cover plates are with holes.

#### 4. FRONT DRIP COVER PLATES

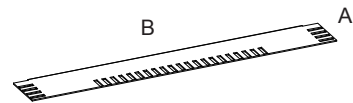
Code	Description	Depth mm (A)	Width mm (B)	Material
50027030	Front drip cover pl. 30- 16	160	300	PVC
50027031	Front drip cover pl. 30- 25	250	300	PVC
50027032	Front drip cover pl. 30- 32	320	300	PVC
50027040	Front drip cover pl. 45- 16	160	450	PVC
50027041	Front drip cover pl. 45- 25	250	450	PVC
50027042	Front drip cover pl. 45- 32	320	450	PVC
50027050	Front drip cover pl. 60- 16	160	600	PVC
50027051	Front drip cover pl. 60- 25	250	600	PVC
50027052	Front drip cover pl. 60- 32	320	600	PVC
50027057	Front drip cover pl. 75- 16	160	750	PVC
50027058	Front drip cover pl. 75- 25	250	750	PVC
50027059	Front drip cover pl. 75- 32	320	750	PVC



50027041 Front drip cover plate 45- 25

#### 5. REAR DRIP COVER PLATES

Code	Description	Depth mm (A)	Width mm (B)	Material
50027061	Rear drip cover pl. 30- 8	80	300	PVC
50027062	Rear drip cover pl. 45- 8	80	450	PVC
50027063	Rear drip cover pl. 60- 8	80	600	PVC
50027064	Rear drip cover pl. 75- 8	80	750	PVC



50027062 Rear drip cover plate 45- 8

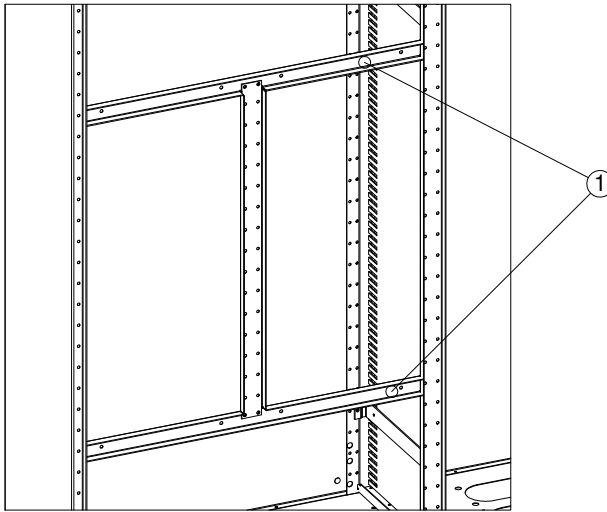
#### 6. DIVIDERS

Code	Description	Depth mm (A)	Height mm (C)	Material
50026090	Divider 8-200	80	2000	PVC
50026091	Divider 16-200	160	2000	PVC
50026092	Divider 25-200	250	2000	PVC
50026093	Divider 32-200	320	2000	PVC



50026092 Divider 25-200

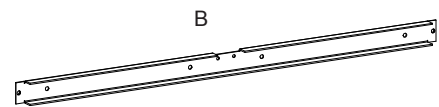
## DIVIDING INTERMEDIATE PROFILE, ENCLOSURE-/CELL STRUCTURE



1. Dividing intermediate profile

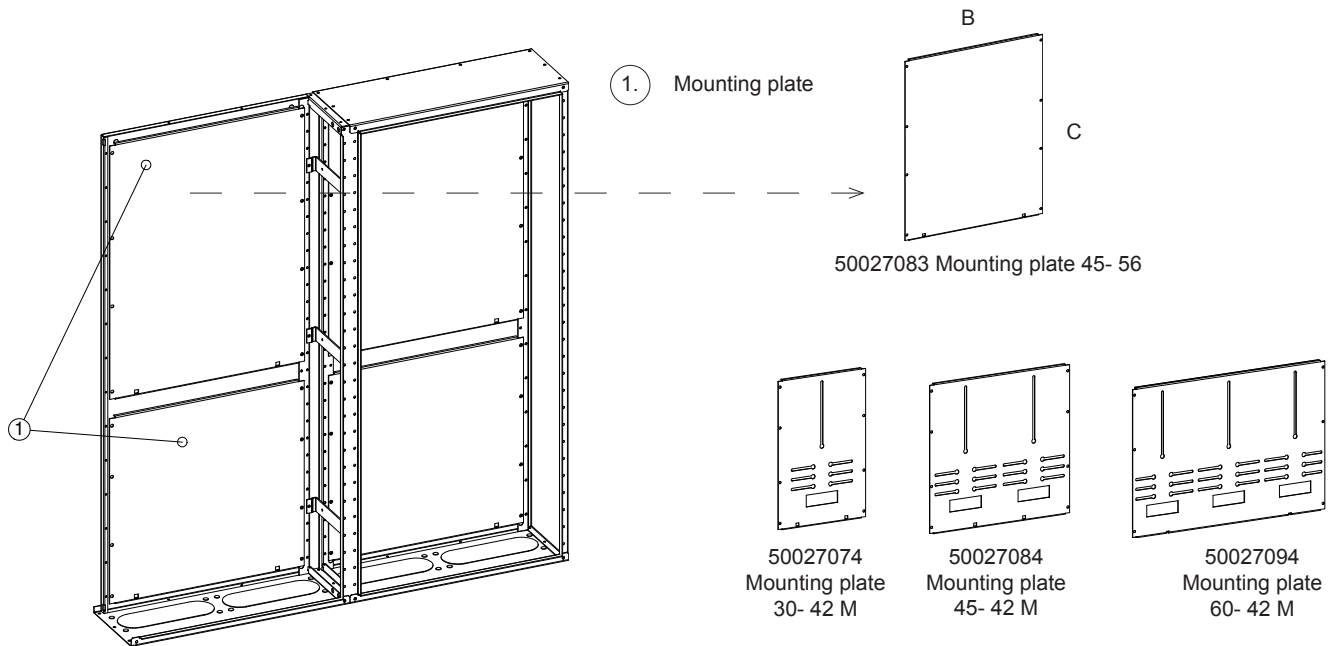
### 1. DIVIDING INTERMEDIATE PROFILE

Code	Description	Width mm (B)	Colour
50526083	Dividing intermediate profile 60/30	600	zn



50526083 Dividing intermediate profile 60/30

## MOUNTING PLATES, ENCLOSURE-/CELL STRUCTURE

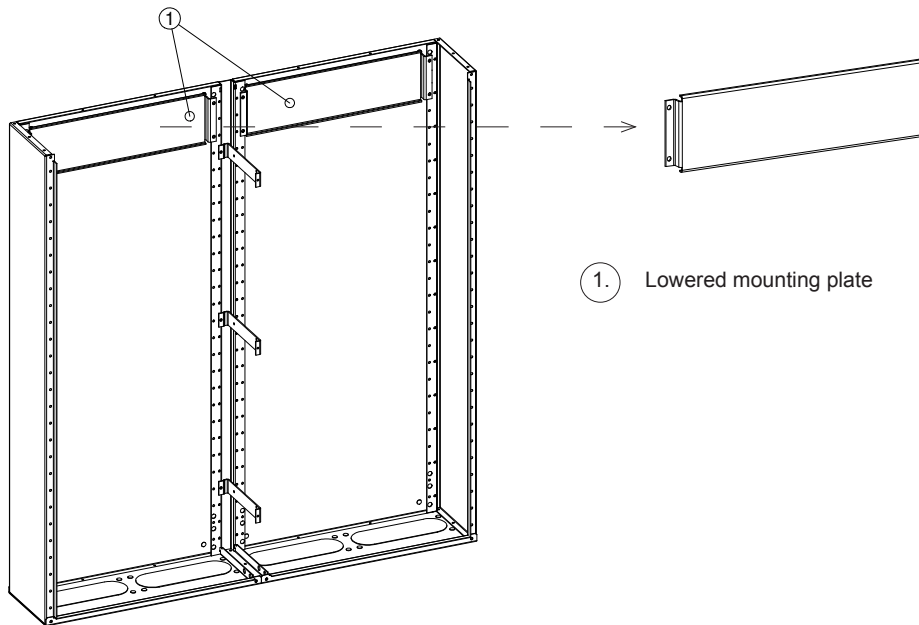


### 1. MOUNTING PLATES

Code	Description	Width mm (B)	Height mm (C)	Colour
50027070	Mounting plate 30- 14	300	140	zn
50027108	Mounting plate 30- 17	300	170	zn
50027086	Mounting plate 30- 21	300	210	zn
50027071	Mounting plate 30- 28	300	280	zn
50027130	Mounting plate 30- 35	300	350	zn
50027072	Mounting plate 30- 42	300	420	zn
50027074	Mounting plate 30- 42 M	300	420	zn
50027073	Mounting plate 30- 56	300	560	zn
50027101	Mounting plate 30- 70	300	700	zn
50027113	Mounting plate 30- 84	300	840	zn
50027114	Mounting plate 30-112	300	1120	zn
50027115	Mounting plate 30-140	300	1140	zn
50027116	Mounting plate 30-168	300	1680	zn
50027117	Mounting plate 30-196	300	1960	zn
50027080	Mounting plate 45- 14	450	140	zn
50027085	Mounting plate 45- 17	450	170	zn
50027087	Mounting plate 45- 21	450	210	zn
50027081	Mounting plate 45- 28	450	280	zn
50027106	Mounting plate 45- 35	450	350	zn
50027082	Mounting plate 45- 42	450	420	zn
50027084	Mounting plate 45- 42 M	450	420	zn
50027083	Mounting plate 45- 56	450	560	zn
50027102	Mounting plate 45- 70	450	700	zn
50027118	Mounting plate 45- 84	450	840	zn
50027119	Mounting plate 45-112	450	1120	zn
50027120	Mounting plate 45-140	450	1400	zn
50027121	Mounting plate 45-168	450	1680	zn

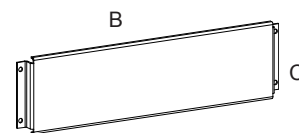
Code	Description	Width mm (B)	Height mm (C)	Colour
50027104	Mounting plate 45-196	450	1960	zn
50027090	Mounting plate 60- 14	600	140	zn
50027089	Mounting plate 60- 17	600	170	zn
50027088	Mounting plate 60- 21	600	210	zn
50027091	Mounting plate 60- 28	600	280	zn
50027107	Mounting plate 60- 35	600	350	zn
50027092	Mounting plate 60- 42	600	420	zn
50027094	Mounting plate 60- 42 M	600	420	zn
50027093	Mounting plate 60- 56	600	560	zn
50027103	Mounting plate 60- 70	600	700	zn
50027126	Mounting plate 60- 84	600	840	zn
50027127	Mounting plate 60-112	600	1120	zn
50027128	Mounting plate 60-140	600	1400	zn
50027129	Mounting plate 60-168	600	1680	zn
50027105	Mounting plate 60-196	600	1960	zn
50027075	Mounting plate 75- 14	750	140	zn
50027109	Mounting plate 75- 21	750	210	zn
50027095	Mounting plate 75- 28	750	280	zn
50027110	Mounting plate 75- 35	750	350	zn
50027096	Mounting plate 75- 42	750	420	zn
50027099	Mounting plate 75- 56	750	560	zn
50027111	Mounting plate 75- 70	750	700	zn
50027122	Mounting plate 75- 84	750	840	zn
50027123	Mounting plate 75-112	750	1120	zn
50027124	Mounting plate 75-140	750	1400	zn
50027125	Mounting plate 75-168	750	1680	zn
50027100	Mounting plate 75-196	750	1960	zn

## LOWERED MOUNTING PLATES, ENCLOSURE-/CELL STRUCTURE



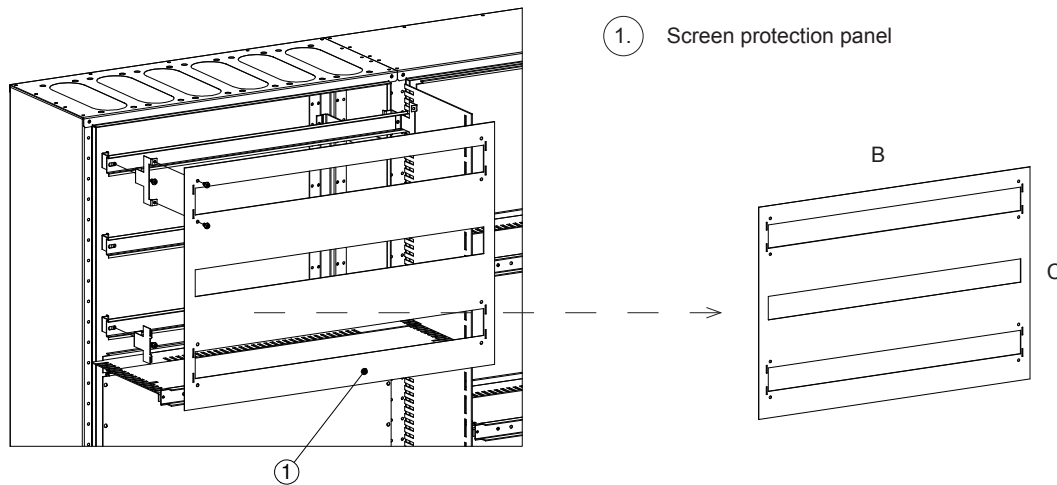
### 1. LOWERED MOUNTING PLATES

Code	Description	Width mm (B)	Height mm (C)	Colour
50029150	Lowered mounting plate 15 mm 3-14L	300	140	zn
50029151	Lowered mounting plate 15 mm 4-14L	450	140	zn
50029152	Lowered mounting plate 15 mm 6-14L	600	140	zn
50029153	Lowered mounting plate 50 mm 3-14X	300	140	zn
50029154	Lowered mounting plate 50 mm 4-14X	450	140	zn
50029155	Lowered mounting plate 50 mm 6-14X	600	140	zn



50029151 Lowered mounting plate 15 mm

## TOUCH AND FINGER SCREEN PROTECTION PANELS, ENCLOSURE STRUCTURE



### 1. TOUCH SCREEN (SEE LAYOUT FIGURES IN PAGE 16)

Code	Description	Width mm (B)	Height mm (C)	Material
50027001	Touch screen 30- 28	300	280	PVC
50027002	Touch screen 30- 28 A	300	280	PVC
50027003	Touch screen 30- 28 T	300	280	PVC
50027004	Touch screen 30- 42	300	420	PVC
50027005	Touch screen 30- 42 A	300	420	PVC
50027010	Touch screen 45- 28	450	280	PVC
50027011	Touch screen 45- 28 A	450	280	PVC
50027011ST	Touch screen 45- 28 A, steel	450	280	zn
50027012	Touch screen 45- 28 T	450	280	PVC
50027013	Touch screen 45- 42	450	420	PVC
50027014	Touch screen 45- 42 A	450	420	PVC

Code	Description	Width mm (B)	Height mm (C)	Material
50027020	Touch screen 60- 28	600	280	PVC
50027021	Touch screen 60- 28 A	600	280	PVC
50027021ST	Touch screen 60- 28 A, steel	600	280	zn
50027022	Touch screen 60- 28 T	600	280	PVC
50027023	Touch screen 60- 42	600	420	PVC
50027024	Touch screen 60- 42 A	600	420	PVC
50027025	Touch screen 30-200 T *	300	200	PVC
50027026	Touch screen 45-200 T *	450	200	PVC
50027027	Touch screen 60-200 T *	600	200	PVC
50027053	Touch screen 30-200 A *	300	200	PVC
50027054	Touch screen 45-200 A *	460	200	PVC
50027055	Touch screen 60-200 A *	600	200	PVC

\* cut for use

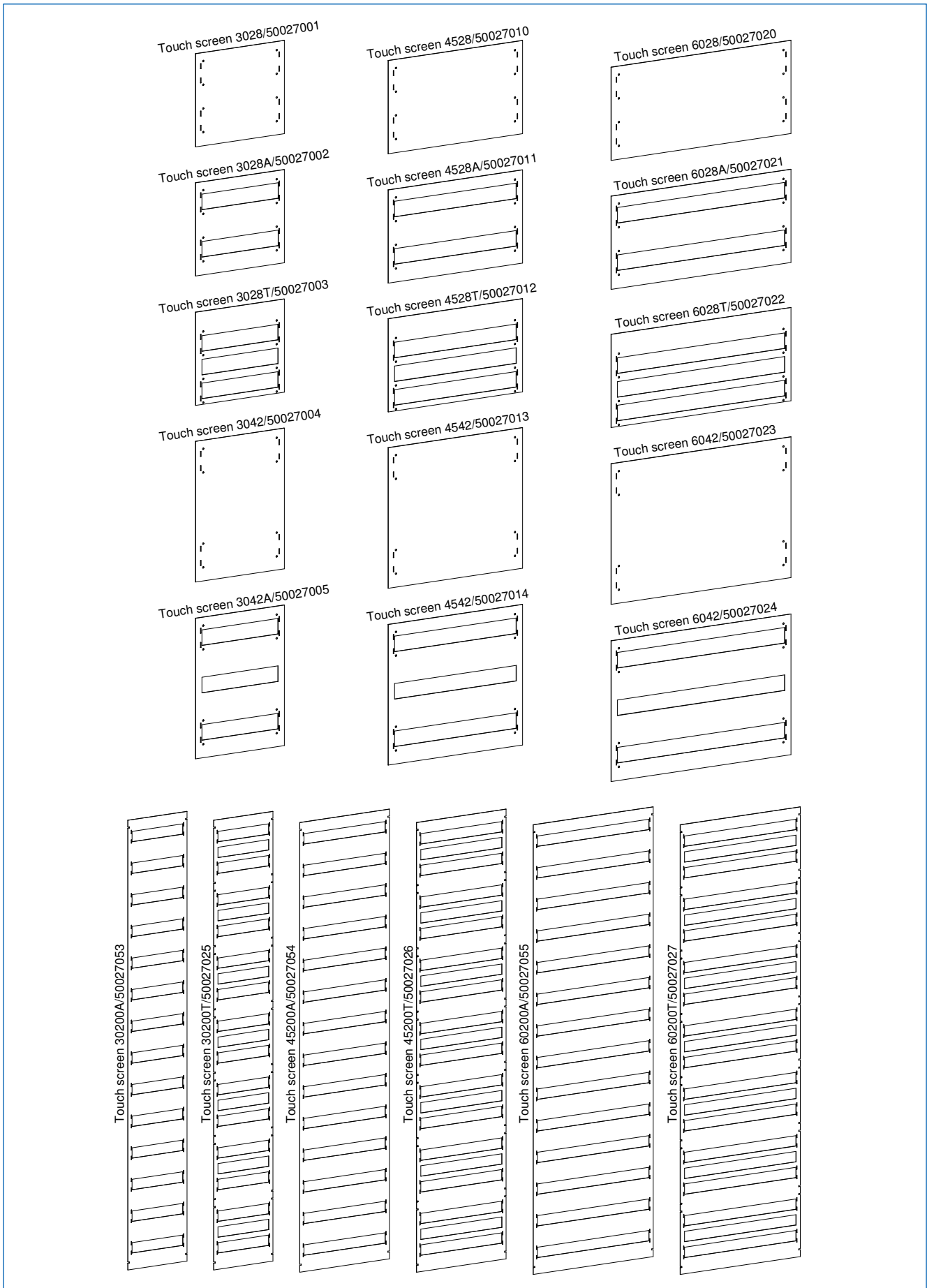
### 2. FINGER SCREEN (SEE LAYOUT FIGURES IN PAGE 17)

Code	Description	Width mm (B)	Height mm (C)	Material
50020113	Finger screen 30-3363	300	280	PVC
50020114	Finger screen 30-5325	300	280	PVC
50020121	Finger screen 45-3325	450	280	PVC
50020118	Finger screen 45-4325	450	280	PVC
50020106	Finger screen 45-4363	450	280	PVC
50020103	Finger screen 45-5325	450	280	PVC
50020105	Finger screen 45-5363	450	280	PVC
50020102	Finger screen 45-6325	450	280	PVC
50020104	Finger screen 45-6363	450	280	PVC
50020101	Finger screen 45-7325	450	280	PVC
50020100	Finger screen 45-8325	450	280	PVC

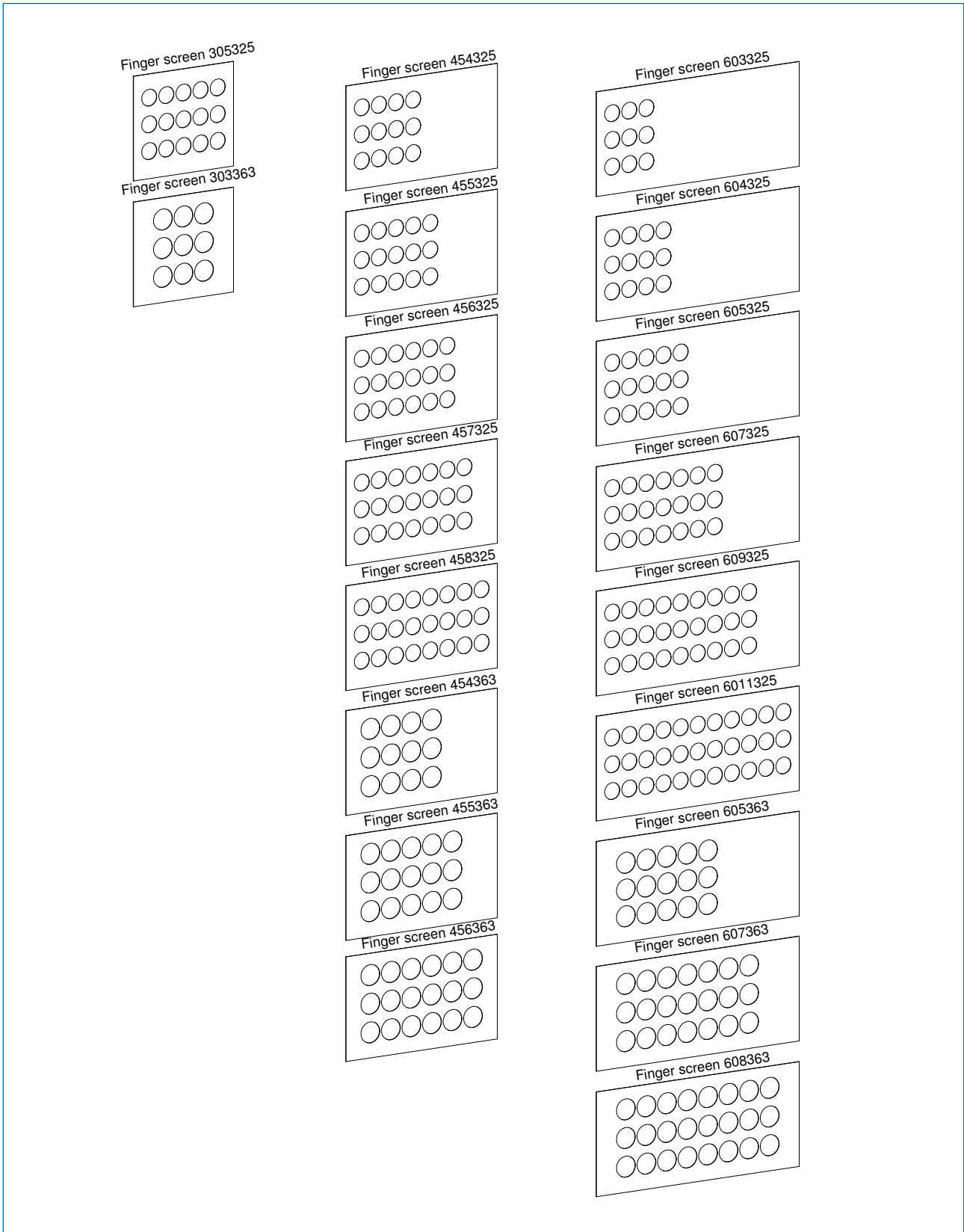
Code	Description	Width mm (B)	Height mm (C)	Material
50020107	Finger screen 60-11325	600	280	PVC
50020112	Finger screen 60-3325	600	280	PVC
50020111	Finger screen 60-4325	600	280	PVC
50020110	Finger screen 60-5325	600	280	PVC
50020117	Finger screen 60-5363	600	280	PVC
50020119	Finger screen 60-6325	600	280	PVC
50020109	Finger screen 60-7325	600	280	PVC
50020116	Finger screen 60-7363	600	280	PVC
50020120	Finger screen 60-8325	600	280	PVC
50020115	Finger screen 60-8363	600	280	PVC
50020108	Finger screen 60-9325	600	280	PVC



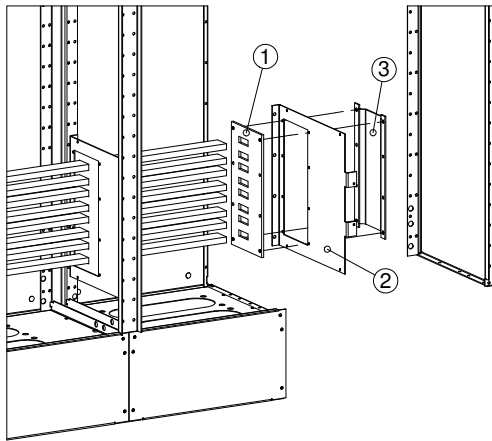
## TOUCH SCREEN PROTECTION PANELS, ENCLOSURE STRUCTURE



## FINGER SCREEN PROTECTION PANELS, ENCLOSURE STRUCTURE



## BUS-BAR INSULATORS AND BUS-BAR INSULATOR HOLDERS, ENCLOSURE STRUCTURE

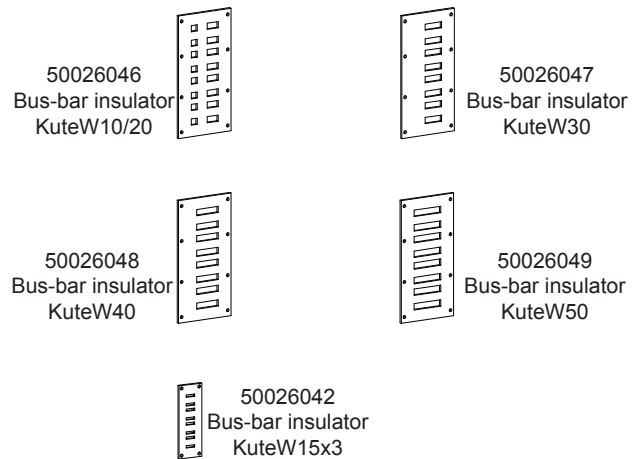


- ① Bus-bar insulator
- ② Bus-bar insulator holder
- ③ Bus-bar insulator end

**NOTE! VERTICAL BUS HOLDERS ARE THE SAME IN ENCLOSURE- AND CELL STRUCTURE (SEE PAGE 41).**

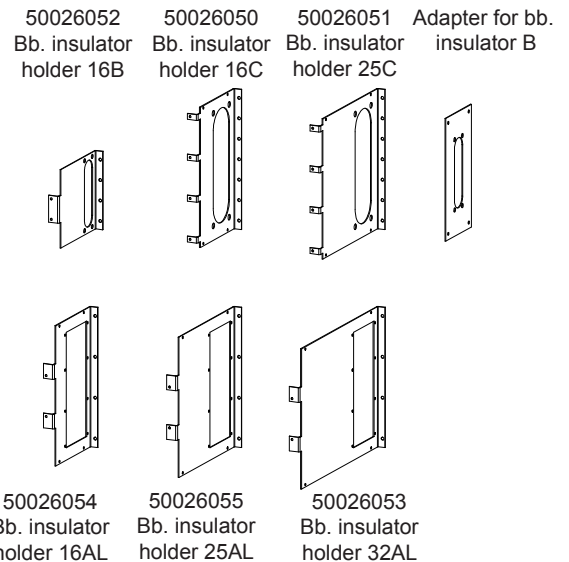
### 1. BUS-BAR INSULATORS

Code	Description	Material
50026046	Bus-bar insulator KuteW10/20	PVC
50026047	Bus-bar insulator KuteW30	PVC
50026048	Bus-bar insulator KuteW40	PVC
50026049	Bus-bar insulator KuteW50	PVC
50026042	Bus-bar insulator KuteW15x3	PVC



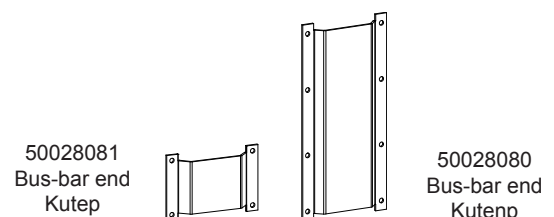
### 2. BUS-BAR INSULATOR HOLDERS

Code	Description	Width mm (B)	Colour
50026050	Bb. insulator holder 16C	160	zn
50026051	Bb. insulator holder 25C	250	zn
50026052	Bb. insulator holder 16B	160	zn
50026053	Bb. insulator holder 32AL	320	zn
50026054	Bb. insulator holder 16AL	160	zn
50026055	Bb. insulator holder 25AL	250	zn
50026056	Adapter for bus-bar insulator B		zn

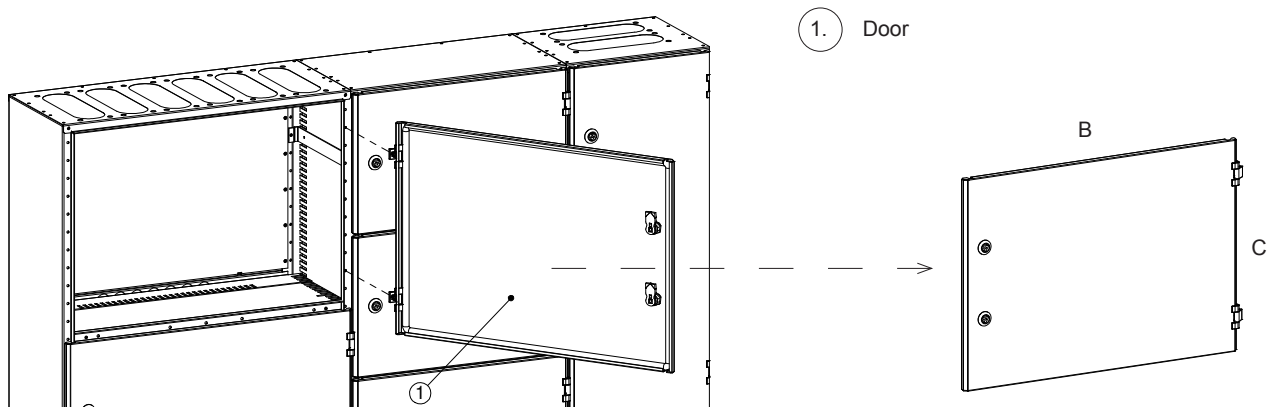


### 3. BUS-BAR ENDS

Code	Description	Colour
50028080	Bus-bar end Kutep	zn
50028081	Bus-bar end Kutenp	zn



## DOORS, ENCLOSURE-/CELL STRUCTURE



### 1. DOORS (SEE LAYOUT FIGURES IN PAGE 21)

Code	Description	Width mm (B)	Height mm (C)	Colour
50053998-2	Door 20-168	200	1680	DH8080
50054000-2	Door 20-196	200	1960	DH8080
50054001-2	Door 30- 14	300	140	DH8080
50054011-2	Door 30- 21	300	210	DH8080
50054021-2	Door 30- 28	300	280	DH8080
50054031-2	Door 30- 35	300	350	DH8080
50054041-2	Door 30- 42	300	420	DH8080
50054051-2	Door 30- 56	300	560	DH8080
50054061-2	Door 30- 70	300	700	DH8080
50054071-2	Door 30- 84	300	840	DH8080
50054075-2	Door 30- 98	300	980	DH8080
50054081-2	Door 30-112	300	1120	DH8080
50054091-2	Door 30-140	300	1400	DH8080
50054095-2	Door 30-154	300	1540	DH8080
50054101-2	Door 30-168	300	1680	DH8080
50054105-2	Door 30-182	300	1820	DH8080
50054111-2	Door 30-196	300	1960	DH8080
50054113-2	Door 30-196, 3-point lock	300	1960	DH8080
50054200-2	Door 45- 07	450	70	DH8080
50054201-2	Door 45- 14	450	140	DH8080
50054205-2	Door 45- 17	450	170	DH8080
50054211-2	Door 45- 21	450	210	DH8080
50054221-2	Door 45- 28	450	280	DH8080
50054231-2	Door 45- 35	450	350	DH8080

Code	Description	Width mm (B)	Height mm (C)	Colour
50054241-2	Door 45- 42	450	420	DH8080
50054251-2	Door 45- 56	450	560	DH8080
50054261-2	Door 45- 70	450	700	DH8080
50054271-2	Door 45- 84	450	840	DH8080
50054273-2	Door 45- 98	450	980	DH8080
50054281-2	Door 45-112	450	1120	DH8080
50054286-2	Door 45-126	450	1260	DH8080
50054291-2	Door 45-140	450	1400	DH8080
50054314-2	Door 45-154	450	1540	DH8080
50054301-2	Door 45-168	450	1680	DH8080
50054303-2	Door 45-168, 3-point lock	450	1680	DH8080
50054311-2	Door 45-196	450	1960	DH8080
50054312-2	Door 45-196, glass opening	450	1960	DH8080
50054313-2	Door 45-196, 3-point lock	450	1960	DH8080
50054401-2	Door 60- 14	600	140	DH8080
50054405-2	Door 60- 17	600	170	DH8080
50054411-2	Door 60- 21	600	210	DH8080
50054421-2	Door 60- 28	600	280	DH8080
50054431-2	Door 60- 35	600	350	DH8080
50054441-2	Door 60- 42	600	420	DH8080
50054451-2	Door 60- 56	600	560	DH8080
50054461-2	Door 60- 70	600	700	DH8080
50054471-2	Door 60- 84	600	840	DH8080

### 1. DOORS (SEE LAYOUT FIGURES IN PAGE 21)

Code	Description	Width mm (B)	Height mm (C)	Colour
50054476-2	Door 60- 98	600	980	DH8080
50054481-2	Door 60-112	600	1120	DH8080
50054486-2	Door 60-126	600	1260	DH8080
50054491-2	Door 60-140	600	1400	DH8080
50054496-2	Door 60-154	600	1540	DH8080
50054501-2	Door 60-168	600	1680	DH8080
50054502-2	Door 60-168, glass opening	600	1680	DH8080
50054506-2	Door 60-168, 3-point lock	600	1680	DH8080
50054511-2	Door 60-196 RR20	600	1960	DH8080
50054512-2	Door 60-196, glass opening	600	1960	DH8080
50054513-2	Door 60-196, 3-point lock	600	1960	DH8080
50054514-2	Door 60-196, 3-point lock + reinforcement profile	600	1960	DH8080
50054601-2	Door 75- 14	750	140	DH8080
50054611-2	Door 75- 21	750	210	DH8080

Code	Description	Width mm (B)	Height mm (C)	Colour
50054621-2	Door 75- 28	750	280	DH8080
50054631-2	Door 75- 35	750	350	DH8080
50054641-2	Door 75- 42	750	420	DH8080
50054651-2	Door 75- 56	750	560	DH8080
50054661-2	Door 75- 70	750	700	DH8080
50054671-2	Door 75- 84	750	840	DH8080
50054676-2	Door 75- 98	750	980	DH8080
50054681-2	Door 75-112	750	1120	DH8080
50054685-2	Door 75-126	750	1260	DH8080
50054685-2	Door 75-126	750	1260	DH8080
50054691-2	Door 75-140	750	1400	DH8080
50054701-2	Door 75-168	750	1680	DH8080
50054702-2	Door 75-168, 3-point lock	750	1680	DH8080
50054711-2	Door 75-196	750	1960	DH8080
50054713-2	Door 75-196, 3-point lock	750	1960	DH8080
50054715-2	Door 75-196, 3-point lock + reinforcement profile	750	1960	DH8080

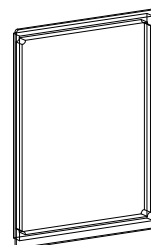
### 2. METER DOORS (SEE LAYOUT FIGURES IN PAGE 21)

Code	Description	Width mm (B)	Height mm (C)	Colour
50054042-2	Door 30- 42 1M	300	420	DH8080
50054052-2	Door 30- 56 1M	300	560	DH8080
50054242-2	Door 45- 42 2M	450	420	DH8080
50054252-2	Door 45- 56 2M	450	560	DH8080

Code	Description	Width mm (B)	Height mm (C)	Colour
50054442-2	Door 60- 42 3M	600	420	DH8080
50054452-2	Door 60- 56 3M RR20	600	560	DH8080

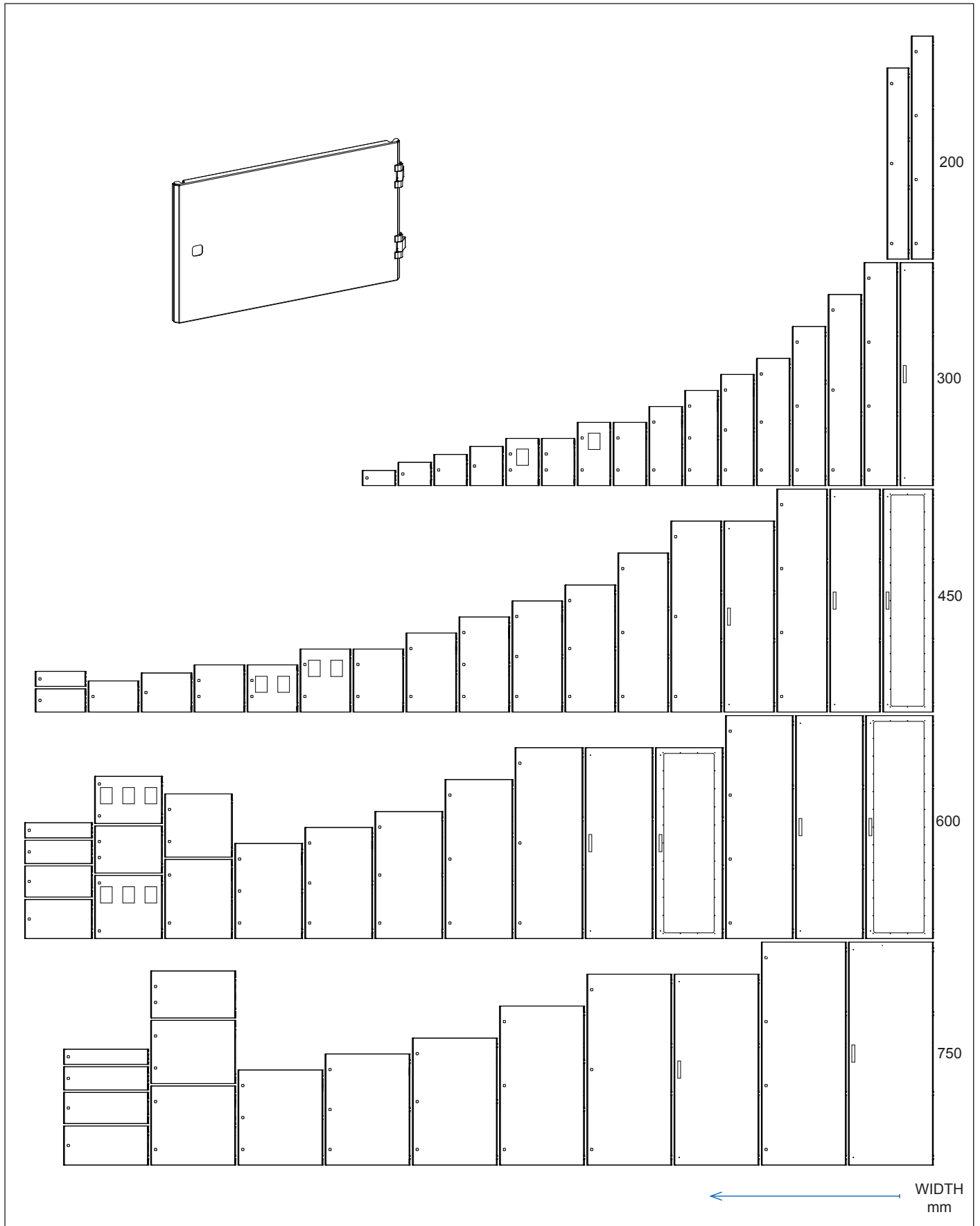
### 3. PLASTIC PANE FOR METER

Code	Description
50021099	Plastic pane for meter

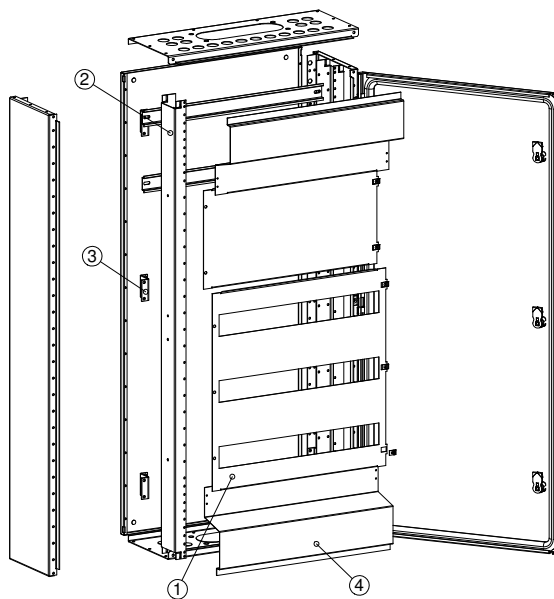


50021099 Plastic pane for meter

# DOORS, ENCLOSURE-/CELL STRUCTURE



## INTERMEDIATE COVERS, ENCLOSURE-/CELL STRUCTURE



- ①. Cover D3
- ②. Touch screen fastener
- ③. Fastener for touch screen rail
- ④. Cover E

### ①. INTERMEDIATE COVERS (SEE LAYOUT FIGURES IN PAGE 24)

Code	Description	Width mm (B)	Height mm (C)	Colour
50055000-2	Cover 30- 1,7	300	17	DH8080
50055001-2	Cover 30- 7	300	70	DH8080
50055002-2	Cover 30- 3	300	30	DH8080
50055011-2	Cover 30- 9	300	90	DH8080
50055015-2	Cover 30- 10	300	100	DH8080
50055018-2	Cover 30- 10 D1	300	100	DH8080
50055021-2	Cover 30- 14	300	140	DH8080
50055022-2	Cover 30- 14 D1	300	140	DH8080
50055020-2	Cover 30- 17 E	300	170	DH8080
50055023-2	Cover 30- 21	300	210	DH8080
50055025-2	Cover 30- 25	300	250	DH8080
50055026-2	Cover 30- 25 D2	300	250	DH8080
50055027-2	Cover 30- 25 D3	300	250	DH8080
50055031-2	Cover 30- 28	300	280	DH8080
50055035-2	Cover 30- 28 D2	300	280	DH8080
50055037-2	Cover 30- 28 D3	300	280	DH8080
50055045-2	Cover 30- 32	300	320	DH8080
50055041-2	Cover 30- 35	300	350	DH8080
50055048-2	Cover 30- 39	300	390	DH8080
50055049-2	Cover 30- 39 1M2U	300	390	DH8080
50055050-2	Cover 30- 39 D3	300	390	DH8080
50055051-2	Cover 30- 42	300	420	DH8080
50055053-2	Cover 30- 42 D3	300	420	DH8080
50055056-2	Cover 30- 49	300	490	DH8080
50055061-2	Cover 30- 56	300	560	DH8080
50055071-2	Cover 30- 70	300	700	DH8080

Code	Description	Width mm (B)	Height mm (C)	Colour
50055203-2	Cover 45- 1,7	450	17	DH8080
50055200-2	Cover 45- 3	450	30	DH8080
50055201-2	Cover 45- 7	450	70	DH8080
50055211-2	Cover 45- 9	450	90	DH8080
50055215-2	Cover 45- 10	450	100	DH8080
50055218-2	Cover 45- 10 D1	450	100	DH8080
50055221-2	Cover 45- 14	450	140	DH8080
50055222-2	Cover 45- 14 D1	450	140	DH8080
50055220-2	Cover 45- 17 E	450	170	DH8080
50055223-2	Cover 45- 21	450	210	DH8080
50055225-2	Cover 45- 25	450	250	DH8080
50055228-2	Cover 45- 25 D2	450	250	DH8080
50055229-2	Cover 45- 25 D3	450	250	DH8080
50055231-2	Cover 45- 28	450	280	DH8080
50055232-2	Cover 45- 28 D2	450	280	DH8080
50055233-2	Cover 45- 28 D3	450	282	DH8080
50055236-2	Cover 45- 32	450	320	DH8080
50055241-2	Cover 45- 35	450	350	DH8080
50055245-2	Cover 45- 39	450	390	DH8080
50055246-2	Cover 45- 39 2M2U	450	390	DH8080
50055248-2	Cover 45- 39 D3	450	390	DH8080
50055251-2	Cover 45- 42	450	420	DH8080
50055252-2	Cover 45- 42 D3	450	420	DH8080
50055258-2	Cover 45- 53	450	530	DH8080
50055261-2	Cover 45- 56	450	560	DH8080
50055268-2	Cover 45- 67	450	670	DH8080
50055271-2	Cover 45- 70	450	700	DH8080

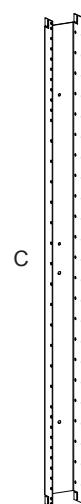
## 1. INTERMEDIATE COVERS (SEE LAYOUT FIGURES IN PAGE 24)

Code	Description	Width mm (B)	Height mm (C)	Colour
50055402-2	Cover 60- 1,7	600	17	DH8080
50055400-2	Cover 60- 3	600	30	DH8080
50055401-2	Cover 60- 7	600	70	DH8080
50055406-2	Cover 60- 9	600	90	DH8080
50055408-2	Cover 60- 10	600	100	DH8080
50055410-2	Cover 60- 10 D1	600	100	DH8080
50055411-2	Cover 60- 14	600	140	DH8080
50055416-2	Cover 60- 14 D1	600	140	DH8080
50055412-2	Cover 60- 17 E	600	170	DH8080
50055417-2	Cover 60- 21	600	210	DH8080
50055418-2	Cover 60- 25	600	250	DH8080
50055419-2	Cover 60- 25 D2	600	250	DH8080
50055420-2	Cover 60- 25 D3	600	250	DH8080
50055421-2	Cover 60- 28	600	280	DH8080
50055426-2	Cover 60- 28 D2	600	280	DH8080
50055427-2	Cover 60- 28 D3	600	280	DH8080
50055428-2	Cover 60- 32	600	320	DH8080
50055431-2	Cover 60- 35	600	350	DH8080
50055433-2	Cover 60- 39	600	390	DH8080
50055435-2	Cover 60- 39 D3	600	390	DH8080
50055436-2	Cover 60- 42	600	420	DH8080
50055441-2	Cover 60- 42 D3	600	420	DH8080

Code	Description	Width mm (B)	Height mm (C)	Colour
50055444-2	Cover 60- 53	600	530	DH8080
50055446-2	Cover 60- 56	600	560	DH8080
50055448-2	Cover 60- 67	600	670	DH8080
50055451-2	Cover 60- 70	600	700	DH8080
50055500-2	Cover 75- 3	750	30	DH8080
50055501-2	Cover 75- 7	750	70	DH8080
50055506-2	Cover 75- 9	750	90	DH8080
50055508-2	Cover 75- 10	750	100	DH8080
50055510-2	Cover 75- 10 D1	750	100	DH8080
50055511-2	Cover 75- 14	750	140	DH8080
50055516-2	Cover 75- 14 D1	750	140	DH8080
50055518-2	Cover 75- 25	750	250	DH8080
50055519-2	Cover 75- 25 D2	750	250	DH8080
50055521-2	Cover 75- 28	750	280	DH8080
50055526-2	Cover 75- 28 D2	750	280	DH8080
50055528-2	Cover 75- 32	750	320	DH8080
50055531-2	Cover 75- 35	750	350	DH8080
50055533-2	Cover 75- 39	750	390	DH8080
50055535-2	Cover 75- 39 D3	750	390	DH8080
50055536-2	Cover 75- 42	750	420	DH8080
50055541-2	Cover 75- 42 D3	750	420	DH8080
50055546-2	Cover 75- 56	750	560	DH8080
50055551-2	Cover 75- 70	750	700	DH8080

## 2. TOUCH SCREEN FASTENERS

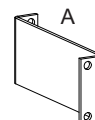
Code	Description	Height mm (C)	Colour
50526200	Touch screen fasten. 280	280	zn
50526205	Touch screen fasten. 420	420	zn
50526210	Touch screen fasten. 560	560	zn
50526215	Touch screen fasten. 700	700	zn
50526220	Touch screen fasten. 840	840	zn
50526225	Touch screen fasten. 980	980	zn
50526230	Touch screen fast. 1120	1120	zn
50526235	Touch screen fast. 1400	1400	zn
50526240	Touch screen fast. 1680	1680	zn
50526245	Touch screen fast. 1960	1960	zn



50526225 Touch screen fastener 980

## 3. FASTENERS FOR TOUCH SCREEN RAIL

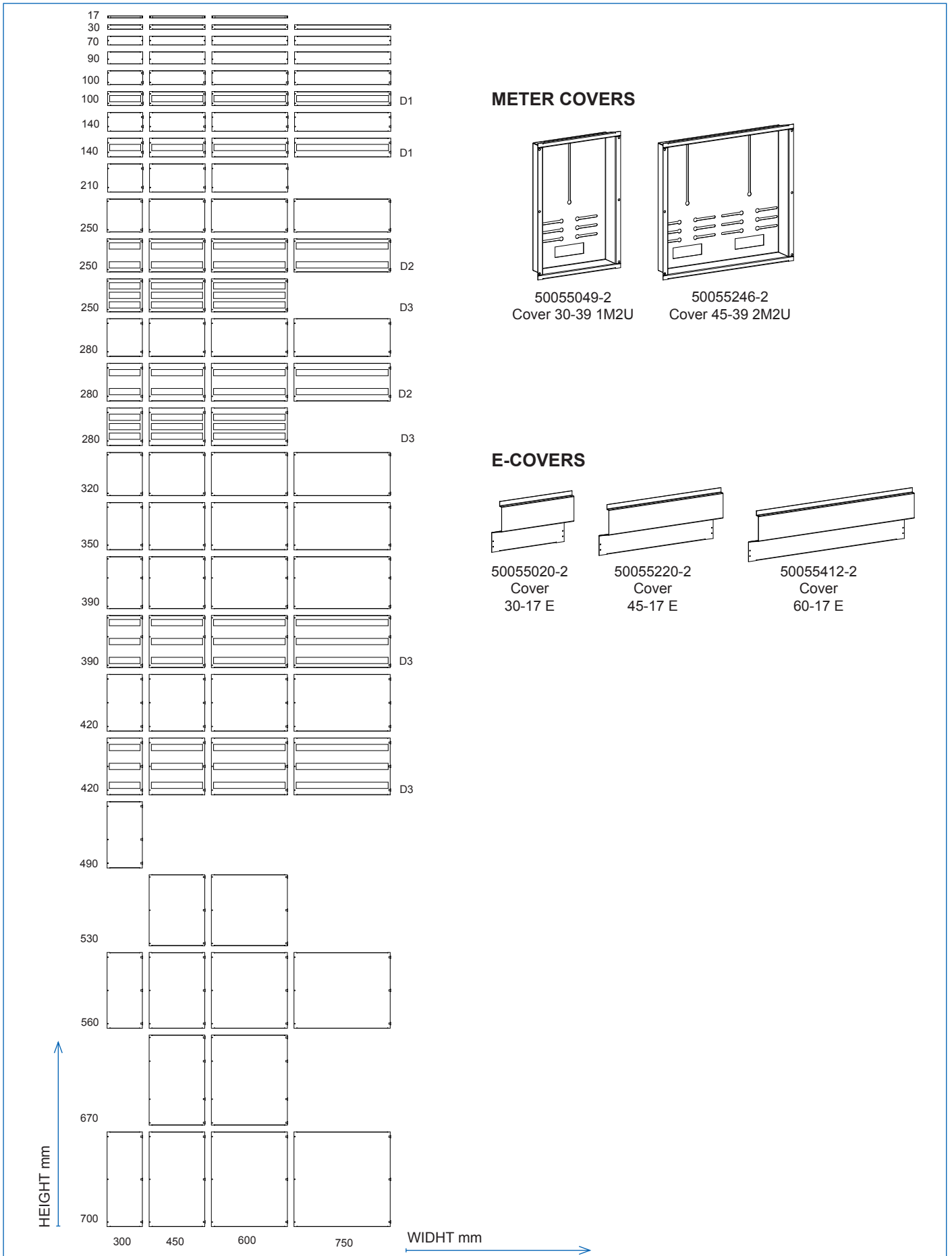
Code	Description	Depth mm (A)	Colour
50526260	Fastener for t. s. rail 16	160	zn
50526265	Fastener for t. s. rail 25	250	zn
50526270	Fastener for t. s. rail 32	320	zn



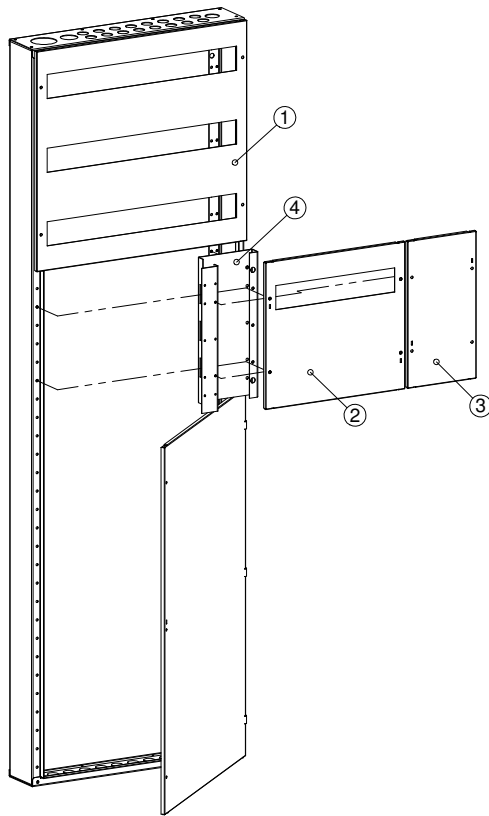
50526265 Fastener for touch screen rail 25



## INTERMEDIATE COVERS, ENCLOSURE-/CELL STRUCTURE



## COVERS AND SPECIAL COVERS, ENCLOSURE STRUCTURE



- ① Cover 45-56 A
- ② Cover 30-28 TM
- ③ Cover 15-28 V
- ④ Dividing wall 15-28

### ① COVERS (SEE LAYOUT FIGURES IN PAGE 27)

Code	Description	Width mm (B)	Height mm (C)	Colour
50522200-2	Cover 30- 7	300	70	DH8080
50522205-2	Cover 30- 14	300	140	DH8080
50522206-2	Cover 30- 14 A	300	140	DH8080
50522210-2	Cover 30- 21	300	210	DH8080
50522215-2	Cover 30- 28	300	280	DH8080
50522216-2	Cover 30- 28 A	300	280	DH8080
50522217-2	Cover 30- 28 T	300	280	DH8080
50522220-2	Cover 30- 35	300	350	DH8080
50522225-2	Cover 30- 42	300	420	DH8080
50522226-2	Cover 30- 42 A	300	420	DH8080
50522231-2	Cover 30- 42 1M2	300	420	DH8080
50522230-2	Cover 30- 42 1M2U	300	420	DH8080
50522235-2	Cover 30- 56	300	560	DH8080
50522236-2	Cover 30- 56 A	300	560	DH8080
50522237-2	Cover 30- 56 T RR20	300	560	DH8080
50522240-2	Cover 30- 70	300	700	DH8080
50522245-2	Cover 30- 84	300	840	DH8080
50522300-2	Cover 45- 7	450	70	DH8080
50522305-2	Cover 45- 14	450	140	DH8080
50522306-2	Cover 45- 14 A	450	140	DH8080
50522310-2	Cover 45- 21	450	210	DH8080
50522315-2	Cover 45- 28	450	280	DH8080

Code	Description	Width mm (B)	Height mm (C)	Colour
50522316-2	Cover 45- 28 A	450	280	DH8080
50522317-2	Cover 45- 28 T	450	280	DH8080
50522320-2	Cover 45- 35	450	350	DH8080
50522325-2	Cover 45- 42	450	420	DH8080
50522326-2	Cover 45- 42 A	450	420	DH8080
50522330-2	Cover 45- 42 1M2	450	420	DH8080
50522331-2	Cover 45- 42 2M2	450	420	DH8080
50522332-2	Cover 45- 42 2M2U	450	420	DH8080
50522335-2	Cover 45- 56	450	560	DH8080
50522336-2	Cover 45- 56 A	450	560	DH8080
50522337-2	Cover 45- 56 T	450	560	DH8080
50522340-2	Cover 45- 70	450	700	DH8080
50522345-2	Cover 45- 84	450	840	DH8080
50522400-2	Cover 60- 7	600	70	DH8080
50522405-2	Cover 60- 14	600	140	DH8080
50522406-2	Cover 60- 14 A	600	140	DH8080
50522410-2	Cover 60- 21	600	210	DH8080
50522411-2	Cover 60- 21 A	600	210	DH8080
50522415-2	Cover 60- 28	600	280	DH8080
50522416-2	Cover 60- 28 A	600	280	DH8080
50522417-2	Cover 60- 28 T	600	280	DH8080
50522420-2	Cover 60- 35	600	350	DH8080

### 1. COVERS (SEE LAYOUT FIGURES IN PAGE 27)

Code	Description	Width mm (B)	Height mm (C)	Colour
50522425-2	Cover 60- 42	600	420	DH8080
50522426-2	Cover 60- 42 A	600	420	DH8080
50522430-2	Cover 60- 42 3M2	600	420	DH8080
50522431-2	Cover 60- 42 3M2U	600	420	DH8080
50522435-2	Cover 60- 56	600	560	DH8080
50522436-2	Cover 60- 56 A	600	560	DH8080
50522437-2	Cover 60- 56 T	600	560	DH8080
50522440-2	Cover 60- 70	600	700	DH8080
50522445-2	Cover 60- 84	600	840	DH8080
50522500-2	Cover 75- 7	750	70	DH8080

Code	Description	Width mm (B)	Height mm (C)	Colour
50522505-2	Cover 75- 14	750	140	DH8080
50522510-2	Cover 75- 21	750	210	DH8080
50522515-2	Cover 75- 28	750	280	DH8080
50522518-2	Cover 75- 28 T	750	280	DH8080
50522520-2	Cover 75- 35	750	350	DH8080
50522525-2	Cover 75- 42	750	420	DH8080
50522528-2	Cover 75- 42 A	750	420	DH8080
50522530-2	Cover 75- 56	750	560	DH8080
50522535-2	Cover 75- 70	750	700	DH8080
50522545-2	Cover 75- 84	750	840	DH8080

### 2. SPECIAL COVERS (SEE LAYOUT FIGURES IN PAGE 28)

Code	Description	Width mm (B)	Height mm (C)	Colour
50522700-2	Cover 15- 21 V	150	210	DH8080
50522705-2	Cover 15- 28 V	150	280	DH8080
50522710-2	Cover 15- 42	150	420	DH8080
50522720-2	Cover 30- 14 S2	300	140	DH8080
50522730-2	Cover 30- 21 V	300	210	DH8080
50522740-2	Cover 30- 28 D1	300	280	DH8080
50522741-2	Cover 30- 28 TM	300	280	DH8080
50522742-2	Cover 30- 28 TS	300	280	DH8080
50522743-2	Cover 30- 28 V	300	280	DH8080
50522750-2	Cover 30- 42 D1	300	420	DH8080
50522760-2	Cover 30- 56 D3	300	560	DH8080

Code	Description	Width mm (B)	Height mm (C)	Colour
50522770-2	Cover 45- 14 MV	450	140	DH8080
50522771-2	Cover 45- 14 S	450	140	DH8080
50522772-2	Cover 45- 14 S2	450	140	DH8080
50522780-2	Cover 45- 28 D1	450	280	DH8080
50522781-2	Cover 45- 28 J	450	280	DH8080
50522790-2	Cover 45- 56 D3	450	560	DH8080
50522800-2	Cover 45- 77 V	450	770	DH8080
50522810-2	Cover 60- 14 MV	600	140	DH8080
50522820-2	Cover 60- 28 D1	600	280	DH8080
50522830-2	Cover 60- 56 D3	600	560	DH8080
50522840-2	Cover 60- 77 V	600	770	DH8080

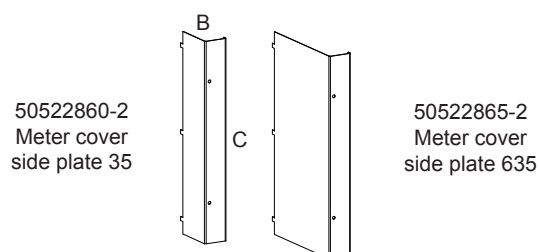
### 3. METER COVERS (SEE LAYOUT FIGURES IN PAGE 28)

Code	Description	Colour <sub>B</sub>
50522850-2	Meter cover M2UV	DH8080

Code	Description	Colour
50522855-2	Meter cover 2M2UV6	DH8080

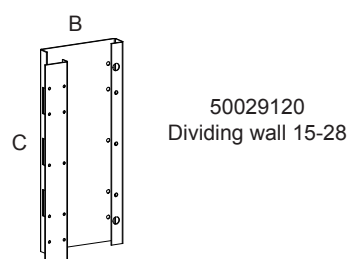
### 4. METER COVER SIDE PLATES

Code	Description	Width mm (B)	Height mm (C)	Colour
50522860-2	Meter cover s. plate 35	141	350	DH8080
50522865-2	Meter cover s. plate 635	191	350	DH8080



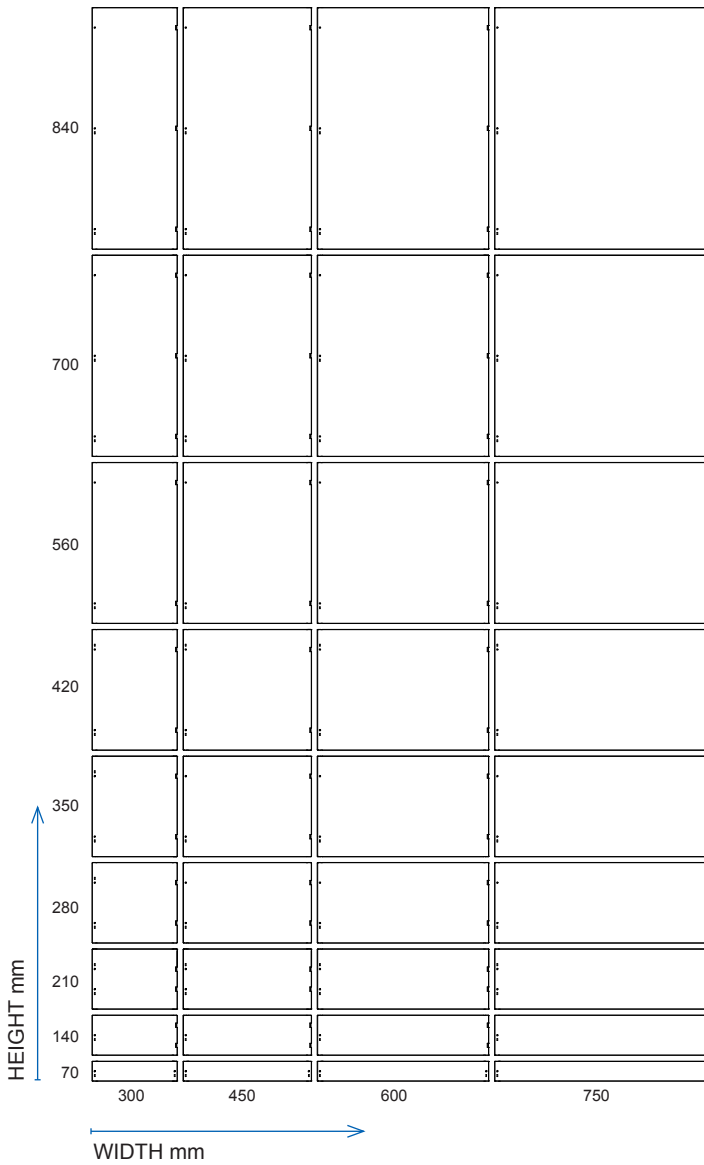
### 5. DIVIDING WALL

Code	Description	Width mm (B)	Height mm (C)	Colour
50026095	Dividing wall 15-42	150	420	zn
50029120	Dividing wall 15-28	150	280	zn
50029121	Dividing wall 30-28	300	280	zn

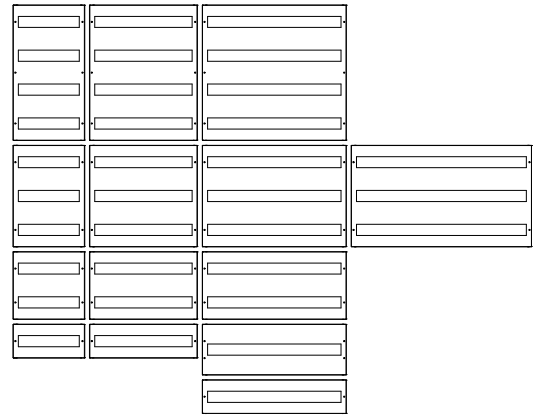


# COVERS, ENCLOSURE STRUCTURE

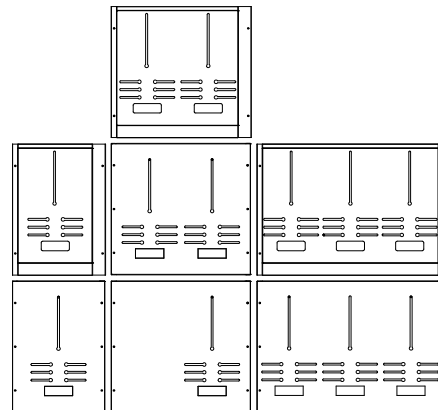
## PLAIN COVERS



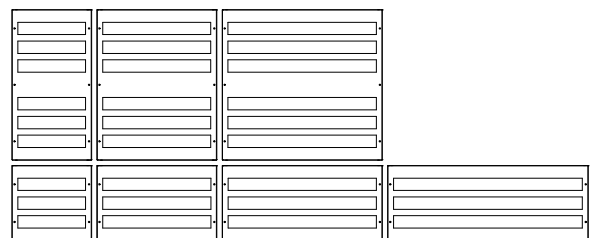
## A-COVERS



## M-COVERS

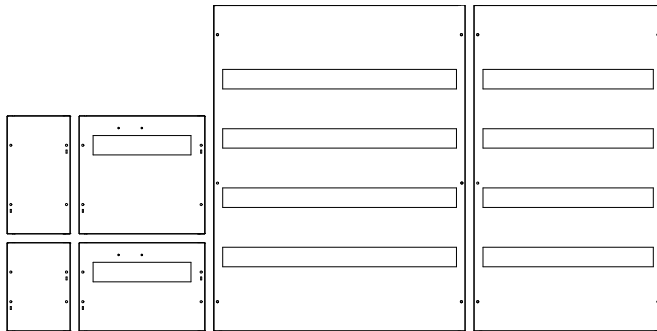


## T-COVERS



## SPECIAL COVERS, ENCLOSURE STRUCTURE

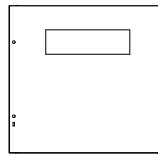
### V-COVERS



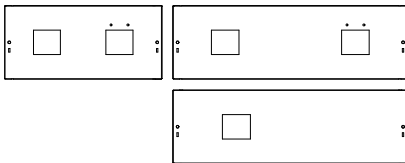
### J-COVERS



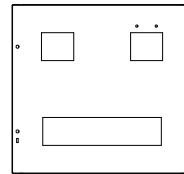
### TM-COVERS



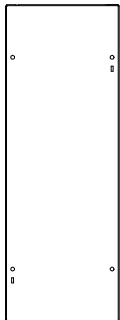
### S-COVERS



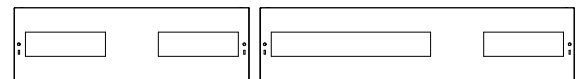
### TS-COVERS



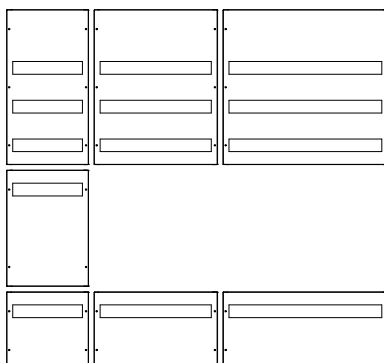
### COVER 15-42



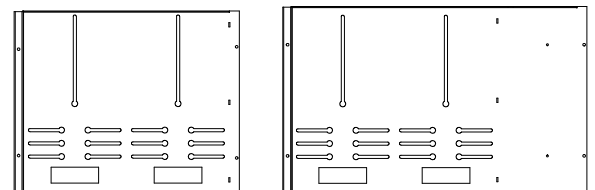
### MV-COVERS



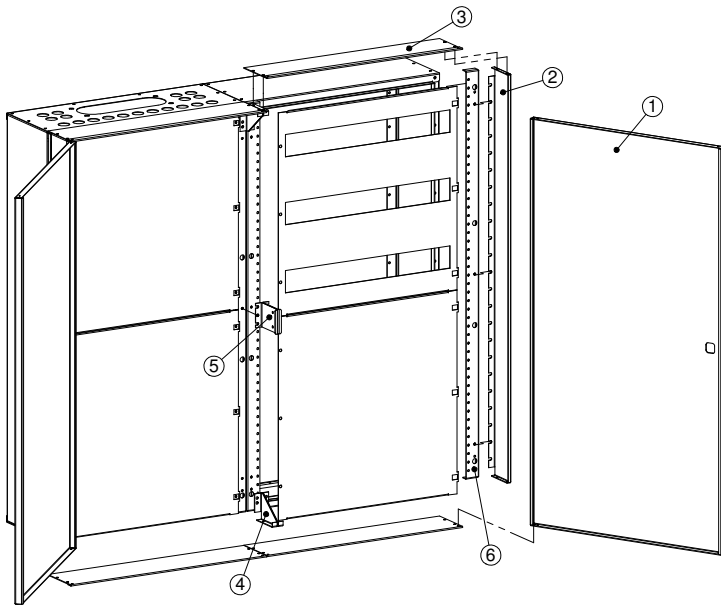
### D-COVERS



### METER COVERS



## COVER DOOR SYSTEM, ENCLOSURE STRUCTURE



- ① Cover door
- ② Cover door side plate
- ③ Cover door end plate
- ④ Support bracket
- ⑤ Latch counterpart

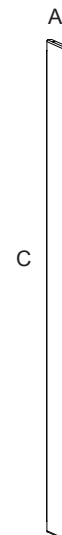
### 1. COVER DOORS

Code	Description	Width mm (B)	Height mm (C)	Colour
50029001-2	Cover door 30- 42	300	420	DH8080
50029002-2	Cover door 30- 56	300	560	DH8080
50029003-2	Cover door 30- 84	300	840	DH8080
50029004-2	Cover door 30-112	300	1120	DH8080
50029005-2	Cover door 30-140	300	1400	DH8080
50029006-2	Cover door 30-168	300	1680	DH8080
50029007-2	Cover door 30-196	300	1960	DH8080
50029008-2	Cover door 45- 42	450	420	DH8080
50029009-2	Cover door 45- 56	450	560	DH8080
50029035-2	Cover door 45- 70	450	700	DH8080
50029010-2	Cover door 45- 84	450	840	DH8080

Code	Description	Width mm (B)	Height mm (C)	Colour
50029011-2	Cover door 45-112	450	1120	DH8080
50029012-2	Cover door 45-140	450	1140	DH8080
50029013-2	Cover door 45-168	450	1680	DH8080
50029014-2	Cover door 45-196	450	1960	DH8080
50029015-2	Cover door 60- 42	600	420	DH8080
50029016-2	Cover door 60- 56	600	560	DH8080
50029037-2	Cover door 60- 70	600	700	DH8080
50029017-2	Cover door 60- 84	600	840	DH8080
50029018-2	Cover door 60-112	600	1120	DH8080
50029019-2	Cover door 60-140	600	1400	DH8080
50029020-2	Cover door 60-168	600	1680	DH8080
50029021-2	Cover door 60-196	600	1960	DH8080

### 2. COVER DOOR SIDE PLATES

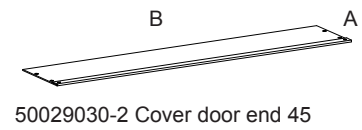
Code	Description	Depth mm (A)	Height mm (C)	Colour
50029022-2	Cover door side plate 42	61,5	420	DH8080
50029023-2	Cover door side plate 56	61,5	560	DH8080
50029034-2	Cover door side plate 70	61,5	700	DH8080
50029024-2	Cover door side plate 84	61,5	840	DH8080
50029025-2	Cover door side plate 112	61,5	1120	DH8080
50029026-2	Cover door side plate 140	61,5	1400	DH8080
50029027-2	Cover door side plate 168	61,5	1680	DH8080
50029028-2	Cover door side plate 196	61,5	1960	DH8080
50029044-2	Side plate, elevated 70	139,5	420	DH8080
50029045-2	Side plate, elevated 84	139,5	840	DH8080
50029046-2	Side plate, elevated 112	139,5	1120	DH8080
50029047-2	Side plate elevated 140	139,5	1400	DH8080
50029048-2	Side plate, elevated 168	139,5	1680	DH8080
50029049-2	Side plate, elevated 196	139,5	1960	DH8080



50029024-2 Cover door side plate 84

### 3. COVER DOOR ENDS

Code	Description	Depth mm (A)	Width mm (B)	Colour
50029029-2	Cover door end, pair 30	92,3	300	DH8080
50029030-2	Cover door end, pair 45	92,3	450	DH8080
50029031-2	Cover door end, pair 60	92,3	600	DH8080
50029040-2	Elevated cover door end 30, pair	170,3	300	DH8080
50029041-2	Elevated cover door end 45, pair	170,3	450	DH8080
50029042-2	Elevated cover door end 60, pair	170,3	600	DH8080



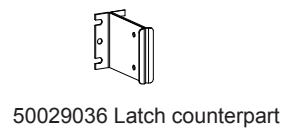
### 4. SUPPORT BRACKETS

Code	Description	Colour
50029033	Support bracket	zn
50029032	Elevated support bracket	zn

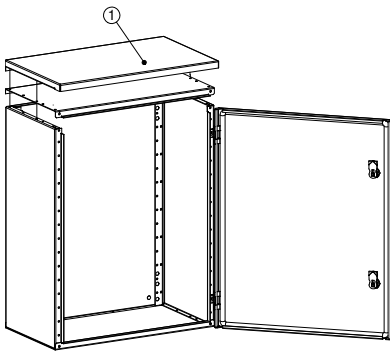


### 5. LATCH COUNTERPARTS

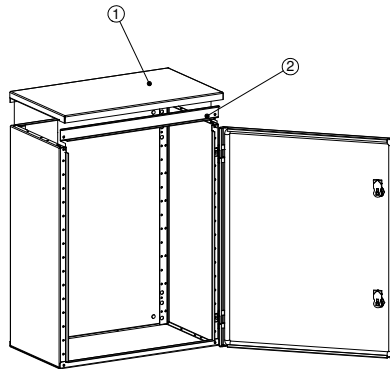
Code	Description	Colour
50029036	Latch counterpart	zn
50029039	Elevated latch counterpart	zn



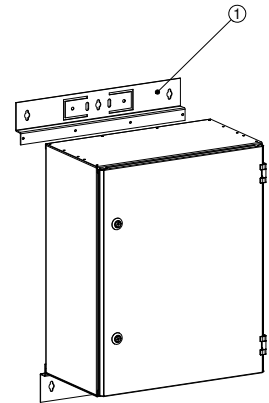
## SPECIAL PARTS, ENCLOSURE STRUCTURE



1. Rain cover



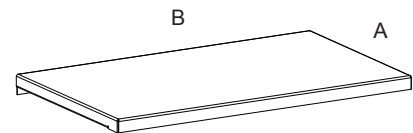
1. Rain cover  
2. Sealing bead



1. Pylon mounting bracket

### 1. RAIN COVERS

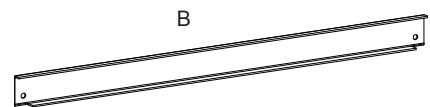
Code	Description	Depth mm (A)	Width mm (B)	Colour
50529070-2	Rain cover 16-30	160	300	DH8080
50529071-2	Rain cover 16-45	160	450	DH8080
50529072-2	Rain cover 16-60	160	600	DH8080
50529073-2	Rain cover 25-30	250	300	DH8080
50529074-2	Rain cover 25-45	250	450	DH8080
50529075-2	Rain cover 25-60	250	600	DH8080
50529076-2	Rain cover 32-30	320	300	DH8080
50529077-2	Rain cover 32-45	320	450	DH8080
50529078-2	Rain cover 32-60	320	600	DH8080



50529074-2 Rain cover 25-45

### 2. SEALING BEADS

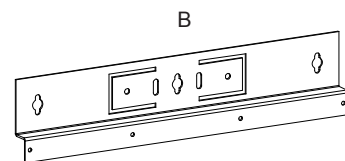
Code	Description	Width mm (B)	Colour
50529080-2	Sealing bead 30	300	DH8080
50529081-2	Sealing bead 45	450	DH8080
50529082-2	Sealing bead 60	600	DH8080



50529081 Sealing bead 45

### 3. PYLON MOUNTING BRACKETS

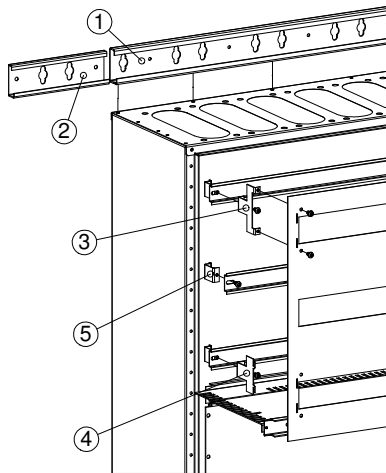
Code	Description	Width mm (B)	Colour
50529091-2	Pylon mount. bracket 30	300	DH8080
50529092-2	Pylon mount. bracket 45	450	DH8080
50529093-2	Pylon mount. bracket 60	600	DH8080



50529092-2 Pylon mounting bracket 45



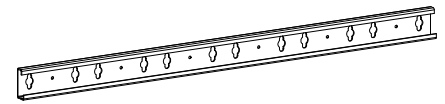
## SPECIAL PARTS, ENCLOSURE STRUCTURE



- ① Fixing rail
- ② Fixing rail extension
- ③ Raised screen protection cover, screwable
- ④ Raised screen protection cover
- ⑤ Raising component

### ①. FIXING RAIL

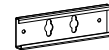
Code	Description	Colour
50026025	Fixing rail 225	zn



50026025 Fixing rail 225

### ②. FIXING RAIL EXTENSION

Code	Description	Colour
50026026	Fixing rail extension	zn



50026026 Fixing rail extension

### ③. RAISED SCREEN PROTECTION 5, SCREWABLE

Code	Description	Colour
50026068SC	Raised screen protection cover 5, screwable	zn



50026068SC Raised screen protection cover 5, screwable

### ④. RAISED SCREEN PROTECTION 5

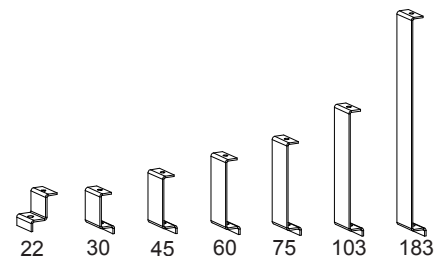
Code	Description	Colour
50026068	Raised screen protection cover 5	zn



50026068 Raised screen protection cover 5

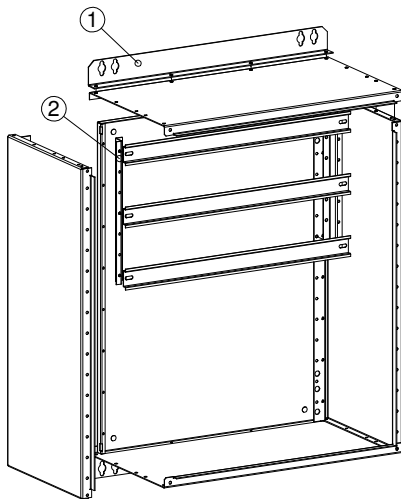
### ⑤. RAISING COMPONENTS

Code	Description	Height mm (C)	Colour
50026058	Raising components 22	22	zn
50026059	Raising components 45	45	zn
50026063	Raising components 30	30	zn
50026064	Raising components 60	40	zn
50026065	Raising components 75	75	zn
50026066	Raising components 103	103	zn
50026074	Raising components 183	183	zn



Raising components 22 - 183

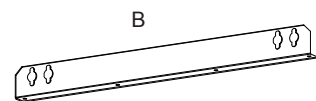
## SPECIAL PARTS, ENCLOSURE STRUCTURE



- ① Attaching bracket
- ② Raisin bead

### ①. ATTACHING BRACKETS

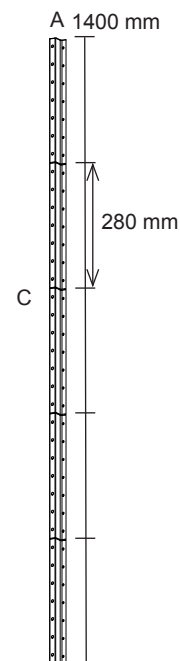
Code	Description	Width mm (B)	Colour
50526060-2	Attaching bracket 30	300	DH8080
50526061-2	Attaching bracket 45	450	DH8080
50526062-2	Attaching bracket 60	600	DH8080
50526063-2	Attaching bracket 75	750	DH8080



50526061-2 Attaching bracket 45

### ②. RAISIN BEADS (CUT FOR USE)

Code	Description	Depth mm (A)	Height mm (C)	Colour
50026067	Raising bead 22	22	1400	zn
50026069	Raising bead 60	60	1400	zn

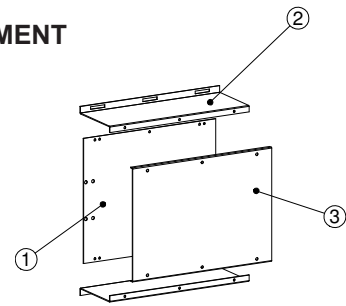


50026067 Raising bead 22

## SPECIAL PARTS, ENCLOSURE STRUCTURE

### 1. BUS BAR PROTECTIVE COVER FOR THE CABLING COMPARTMENT

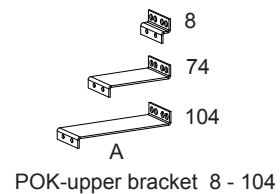
Code	Description	Height mm (C)	Colour
50029160	Bottom plate 30	300	zn
50029161	Side plate 30	300	zn
50029162	Cover 30	300	zn



- ① Bottom plate
- ② Side plate
- ③ Cover

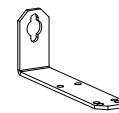
### 2. POK-UPPER BRACKETS

Code	Description	Depth mm (A)	Colour
50029087	POK-upper bracket 8	8	zn
50029088	POK-upper bracket 74	74	zn
50029089	POK-upper bracket 104	104	zn

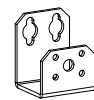


### 3. HANGERS

Code	Description	Colour
50526076	Hanger 50 mm	zn
50526077	Hanger 28 mm	zn



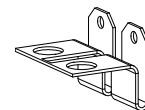
50526077  
Hanger 28 mm



50526076  
Hanger 50 mm

### 4. SEAL LOOP

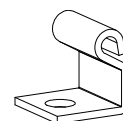
Code	Description	Colour
50026045	Seal loop	zn



50026045 Seal loop

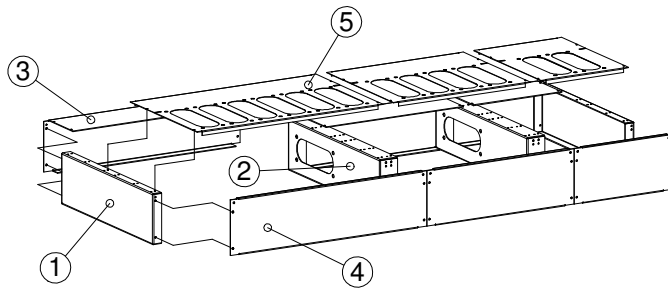
### 5. COVER HINGE

Code	Description	Colour
50526039	Cover hinge	zn



50526039 Cover hinge

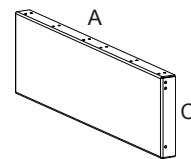
## BASE COMPONENTS, CELL STRUCTURE



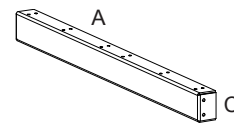
- ① Base end plate
- ② Base divider
- ③ Base back plate
- ④ Base front plate
- ⑤ Base bottom plate

### 1. BASE END PLATES

Code	Description	Depth mm (A)	Height mm (C)	Colour
50028070	Base end plate	500	140	zn
50028107	Base end plate 40	500	40	zn



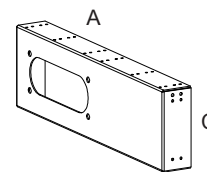
50028070 Base end plate



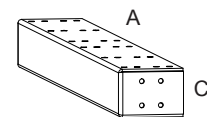
50028107 Base end plate 40

### 2. BASE DIVIDERS

Code	Description	Depth mm (A)	Height mm (C)	Colour
50028071	Base divider	500	140	zn
50028108	Base divider 40	500	40	zn



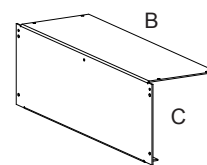
50028071 Base divider



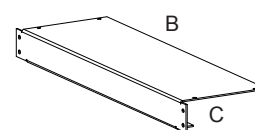
50028108 Base divider 40

### 3. BASE BACK PLATES

Code	Description	Width mm (B)	Height mm (C)	Colour
50028039	Base back plate 20	200	140	zn
50028040	Base back plate 30	300	140	zn
50028041	Base back plate 45	450	140	zn
50028042	Base back plate 60	600	140	zn
50028043	Base back plate 75	750	140	zn
50028116	Base back plate 204	200	40	zn
50028104	Base back plate 304	300	40	zn
50028105	Base back plate 454	450	40	zn
50028106	Base back plate 604	600	40	zn
50028110	Base back plate 754	750	40	zn



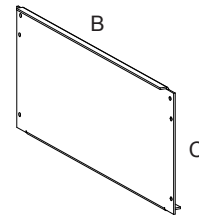
50028041 Base back plate 45



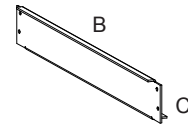
50028105 Base back plate 454

#### 4. BASE FRONT PLATES

Code	Description	Width mm (B)	Height mm (C)	Colour
50528064	Base front plate 20	200	140	zn
50528065	Base front plate 30	300	140	zn
50528066	Base front plate 45	450	140	zn
50528067	Base front plate 60	600	140	zn
50528068	Base front plate 75	750	140	zn
50528115	Base front plate 204	200	40	zn
50528101	Base front plate 304	300	40	zn
50528102	Base front plate 454	450	40	zn
50528103	Base front plate 604	600	40	zn
50528109	Base front plate 754	750	40	zn



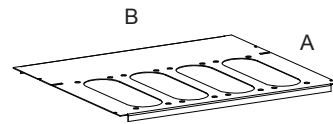
50028066 Base front plate 45



50028102 Base front plate 454

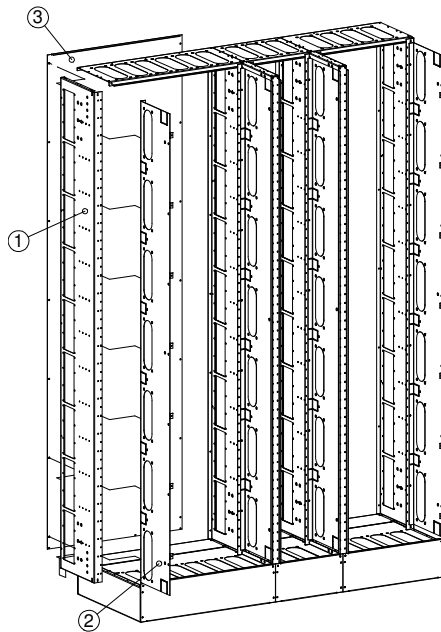
#### 5. BASE BOTTOM PLATES

Code	Description	Depth mm (A)	Width mm (B)	Colour
50028044	Bottom plate 20- 35 2C	356	200	zn
50028045	Bottom plate 30- 35 2C	356	300	zn
50028046	Bottom plate 45- 35 4C	356	450	zn
50028047	Bottom plate 60- 35 6C	356	600	zn
50028048	Bottom plate 75- 35 6C	356	750	zn



50028046 Bottom plate 45-35 4C

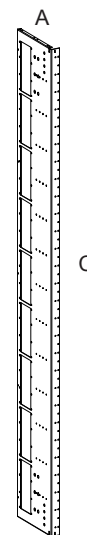
## FRAME PLATES, DIVIDERS AND BACK PLATES, CELL STRUCTURE



- ①. Frame plate
- ②. Divider
- ③. Back plate

### ①. FRAME PLATES

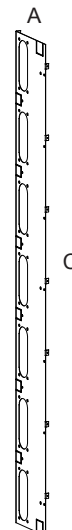
Code	Description	Depth mm (A)	Height mm (C)	Colour
50028205	Frame plate 26-168U	260	1680	zn
50028005	Frame plate 26-196U	260	1960	zn
50028006	Frame plate 26-196P	260	1960	zn



50028005 Frame plate 26-196U

### ②. DIVIDERS

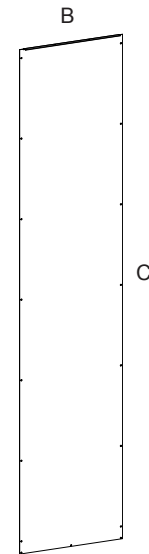
Code	Description	Depth mm (A)	Height mm (C)	Colour
50028089	Divider 16-196	160	1960	zn
50028090	Divider 25-196	250	1960	zn
50028091	Divider 25-168-2	250	1680	zn
50028092	Divider 25-196-2	250	1960	zn
50028093	Divider 32-196	320	1960	zn



50028090 Divider 25-196

#### 4. BACK PLATES

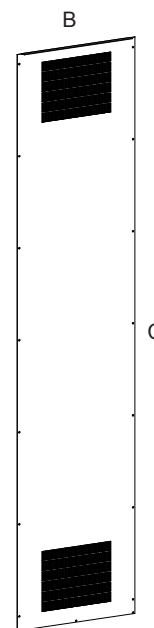
Code	Description	Width mm (B)	Height mm (C)	Colour
50028007	Back plate 20-168	200	1680	zn
50029235	Back plate 30-168	300	1680	zn
50029236	Back plate 45-168	450	1680	zn
50029237	Back plate 60-168	600	1680	zn
50029238	Back plate 75-168	750	1680	zn
50028009	Back plate 20-196	200	1960	zn
50028010	Back plate 30-196	300	1960	zn
50028011	Back plate 45-196	450	1960	zn
50028012	Back plate 60-196	600	1960	zn
50028013	Back plate 75-196	750	1960	zn



50028011 Back plate 45-196

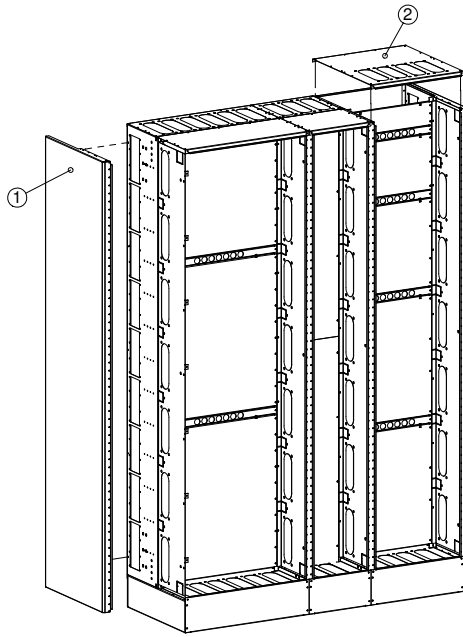
#### 5. BACK PLATES WITH VENTILATION OPENINGS

Code	Description	Width mm (B)	Height mm (C)	Colour
50028008	Back plate with ventilation openings 30-168	300	1680	zn
50028014	Back plate with ventilation openings 45-168	450	1680	zn
50028015	Back plate with ventilation openings 60-168	600	1680	zn
50028016	Back plate with ventilation openings 75-168	750	1680	zn
50029231	Back plate with ventilation openings 30-196	300	1960	zn
50029232	Back plate with ventilation openings 45-196	450	1960	zn
50029233	Back plate with ventilation openings 60-196	600	1960	zn
50029234	Back plate with ventilation openings 75-196	750	1960	zn



50029232 Back plate with ventilation openings 45-196

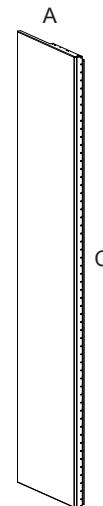
## SIDE- AND END PLATES, CELL STRUCTURE



- ①. Side plate for cell centre
- ②. End plate for cell centre

### 5. SIDE PLATES FOR CELL CENTRE

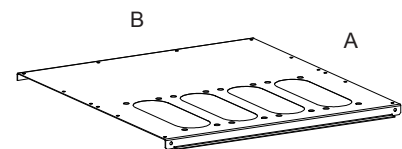
Code	Description	Depth mm (A)	Height mm (C)	Colour
50528201-2	Side plate for cell centre 50-168	500	1680	DH8080
50528001-2	Side plate for cell centre 50-196	500	1960	DH8080
50528001R-2	Side plate for cell centre 50-196 IP20	500	1960	DH8080



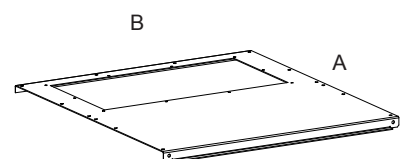
50528001-2 Side plate for cell centre

### 5. END PLATES FOR CELL CENTRE

Code	Description	Depth mm (A)	Width mm (B)	Colour
50528160-2	End plate for cell centre 30-50 C	500	300	DH8080
50528161-2	End plate for cell centre 45-50 C	500	450	DH8080
50528162-2	End plate for cell centre 60-50 C	500	600	DH8080
50528165-2	End plate for cell centre 45-50 A	500	450	DH8080
50528166-2	End plate for cell centre 60-50 A	500	600	DH8080
50528166-2	End plate for cell centre 75-50 A	500	750	DH8080



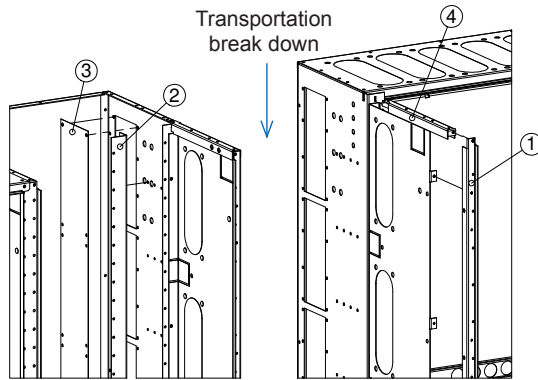
50528161-2 End plate for cell centre 45-50 C



50528165-2 End plate for cell centre 60-50 A



## PARTS FOR CELL CENTRE



- ①. Contin. vertical profile
- ②. Assembly profile
- ③. Cover plate
- ④. Extension end support, pair

### ①. CONTINEN. VERTICAL PROFILES

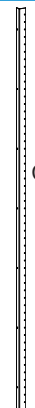
Code	Description	Height mm (C)	Colour
50528021	Contin. vertical profile 168, pair	1680	zn
50528020	Contin. vertical profile 196, pair	1960	zn
50528020R	Contin. vertical profile 196 IP20, pair	1960	zn



50028020 Contin. vertical profile 196, pair

### ②. ASSEMBLY PROFILE

Code	Description	Height mm (C)	Colour
50028025	Assembly profile 188	1880	zn



50028025 Assembly profile 188

### ③. COVER PLATE

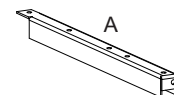
Code	Description	Depth mm (A)	Height mm (C)	Colour
50028034	Cover plate	100	1468	zn



50028034 Cover plate

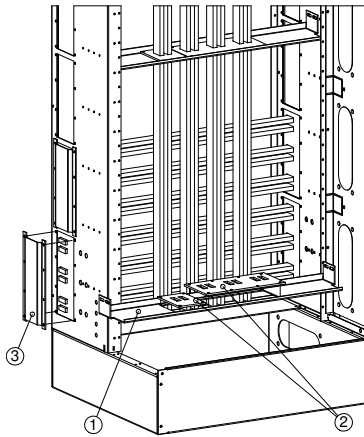
### ④. EXTENSION END SUPPORT

Code	Description	Depth mm (A)	Colour
50028060	Extension end support, pair 25	250	zn



50028060 Extension end support, pair 25

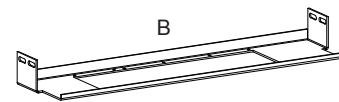
## BUS-BAR INSULATORS AND -HOLDERS, CELL STRUCTURE



- 1. Vertical Bus holder
- 2. Bus-bar insulator
- 3. Bus-bar insulator end

### 1. VERTICAL BUS HOLDERS, ENCLOSURE-/CELL STRUCTURE

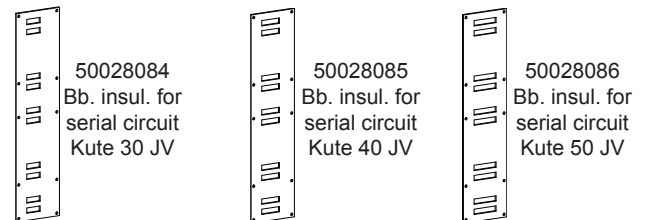
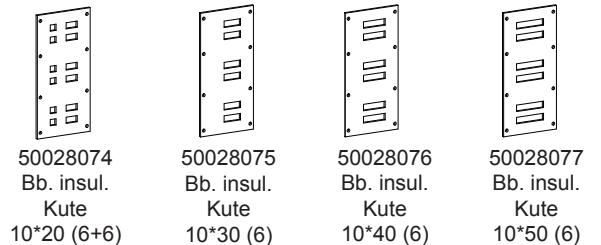
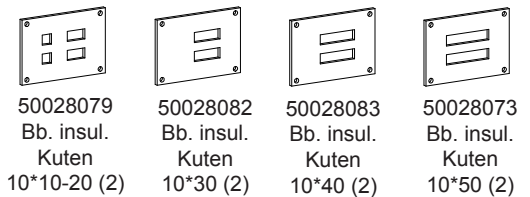
Code	Description	Width mm (B)	Colour
50028050	Vertical Bus holder 30	300	zn
50028051	Vertical Bus holder 45	450	zn
50028052	Vertical Bus holder 60	600	zn
50028053	Vertical Bus holder 75	750	zn



50028051 Vertical Bus holder 45

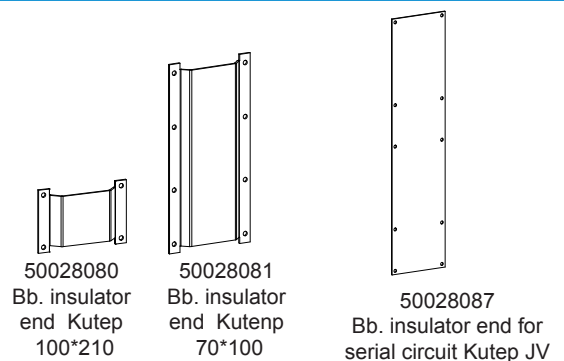
### 2. BUS-BAR INSULATORS

Code	Description	Material
50028073	Bb. insul. Kuten 10*50 (2)	PVC
50028074	Bb.insul. Kute 10-20 (6+6)	PVC
50028075	Bb. insul. Kute 10*30 (6)	PVC
50028076	Bb. insul. Kute 10*40 (6)	PVC
50028077	Bb. insul. Kute 10*50 (6)	PVC
50028079	Bb. insul. Kuten 10*10-20 (2)	PVC
50028082	Bb. insul. Kuten 10*30 (2)	PVC
50028083	Bb. insul. Kuten 10*40 (2)	PVC
50028084	Bb. insul. for serial circuit Kute 30 JV	PVC
50028085	Bb. insul. for serial circuit Kute 40 JV	PVC
50028086	Bb. insul. for serial circuit Kute 50 JV	PVC

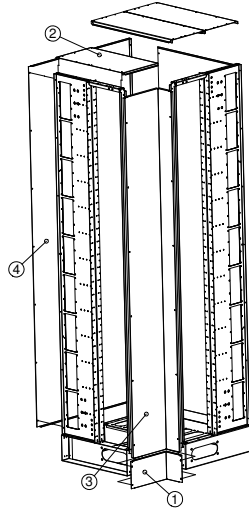


### 3. BUS-BAR INSULATOR ENDS

Code	Description	Colour
50028080	Bus-bar insulator end Kutep 100*210	zn
50028081	Bus-bar insulator end Kutenp 70*100	zn
50028087	Bus-bar insulator end for serial circuit Kutep JV	zn



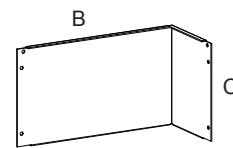
## CORNEL CELL STRUCTURE



- 1. Corner front plate of the base
- 2. Corner roof
- 3. Corner door
- 4. Corner back plate

### 1. CORNER FRONT PLATE OF THE BASE

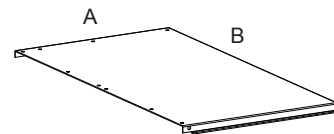
Code	Description	Colour
50529201	Corner front plate of the base	zn



50529201 Corner front plate of the base

### 2. CORNER ROOF

Code	Description	Colour
50529202-2	Corner roof	DH8080



50529202 Corner roof

### 3. CORNER DOORS

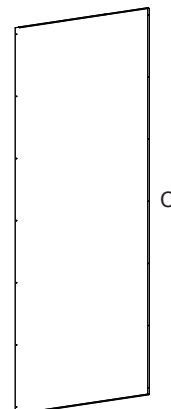
Code	Description	Height mm (C)	Colour
50529206-2	Corner door 168	1680	DH8080
50529203-2	Corner door 196	1960	DH8080



50529203 Corner door 196

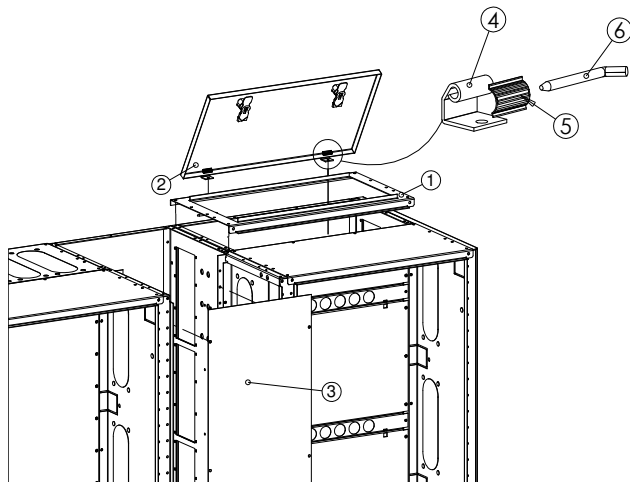
### 4. CORNER BACK PLATES

Code	Description	Height mm (C)	Colour
50529205	Corner back plate 168	1680	zn
50529204	Corner back plate 196	1960	zn



50529204 Corner back plate 196

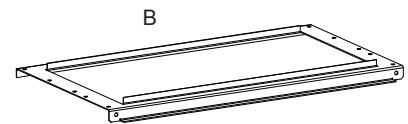
## SPECIAL PARTS, CELL STRUCTURE



- ①. Roof plate
- ②. Roof access door
- ③. Busbar protective cover

### 1. ROOF PLATES

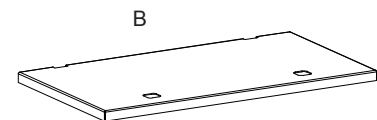
Code	Description	Width mm (B)	Colour
50528130-2	Roof plate 30	300	DH8080
50528131-2	Roof plate 45	450	DH8080
50528132-2	Roof plate 60	600	DH8080
50528133-2	Roof plate 75	750	DH8080



50528131 Roof plate 45

### 2. ROOF ACCESS DOORS

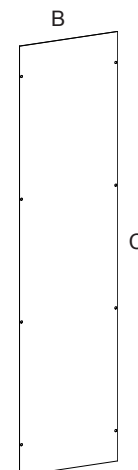
Code	Description	Width mm (B)	Colour
50528120-2	Roof access door 30	300	DH8080
50528121-2	Roof access door 45	450	DH8080
50528122-2	Roof access door 60	600	DH8080
50528123-2	Roof access door 75	750	DH8080



50528121 Roof access door 45

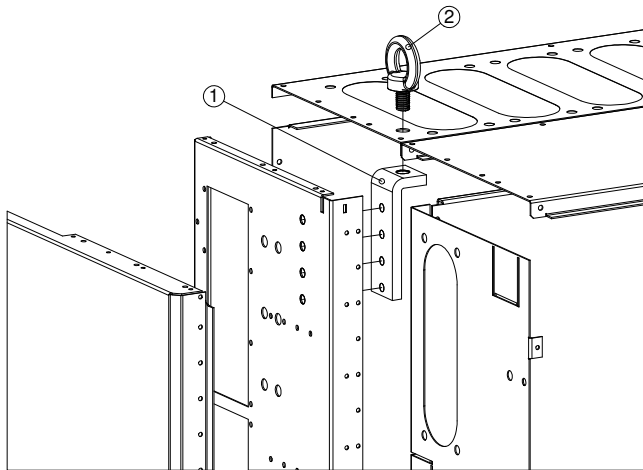
### 2. BUSBAR PROTECTIVE COVERS

Code	Description	Width mm (B)	Height mm (C)	Colour
50028030	Busbar protective cover 20- 98	200	980	zn
50028031	Busbar protective cover 30- 98	300	980	zn
50028032	Busbar protective cover 45- 98	450	980	zn
50028033	Busbar protective cover 60- 98	600	980	zn
50028035	Busbar protective cover 75- 98	750	980	zn



50028031 Bus bar protective cover 30-98

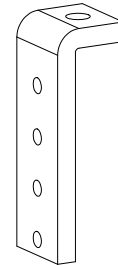
## SPECIAL PARTS, CELL STRUCTURE



- 1. Lifting bracket
- 2. Lifting loop

### 1. LIFTING BRACKET

Code	Description	Colour
50028095	Lifting bracket	zn



50028095 Lifting bracket

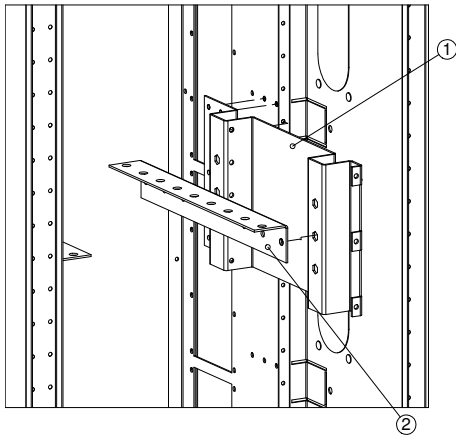
### 2. LIFTING LOOP

Code	Description	Colour
50028094	Lifting loop M12	zn



50028094 Lifting loop M12

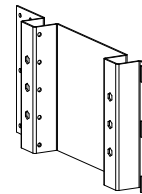
## SPECIAL PARTS, CELL STRUCTURE



- 1. Heavy-duty hanger
- 2. Heavy-duty holder

### 1. HEVY-DUTY HANGER

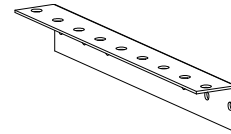
Code	Description	Colour
50028150	Heavy-duty hanger	zn



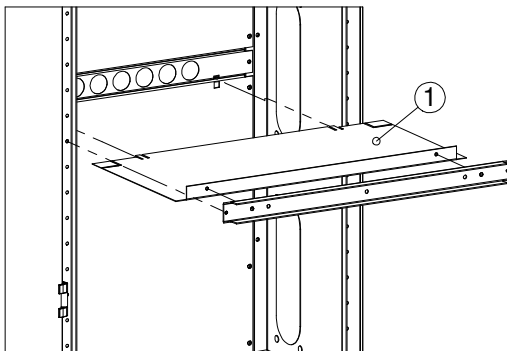
50028150 Heavy-duty hanger

### 2. HEAVY-DUTY HOLDER

Code	Description	Colour
50028151	Heavy-duty holder	zn



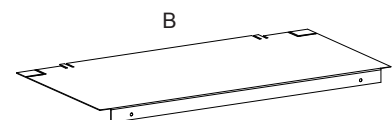
50028150 Heavy-duty holder



- 1. Drip cover plate, metal

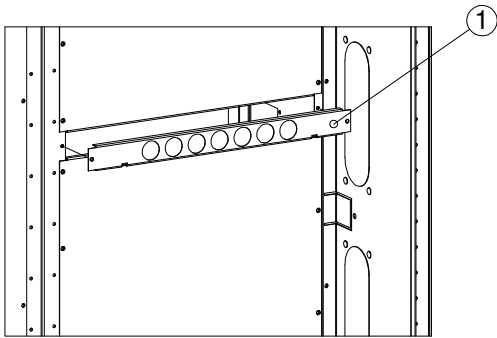
### 1. DRIP COVER PLATES, METAL

Code	Description	Width mm (B)	Colour
50027065	Drip cover plate, metal	300	zn
50027066	Drip cover plate, metal	450	zn
50027067	Drip cover plate, metal	600	zn
50027068	Drip cover plate, metal	750	zn



50027066 Drip cover plate, metal

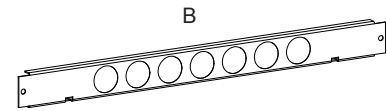
## SPECIAL PARTS, ENCLOSURE- /CELL STRUCTURE



1. Feedthrough bead

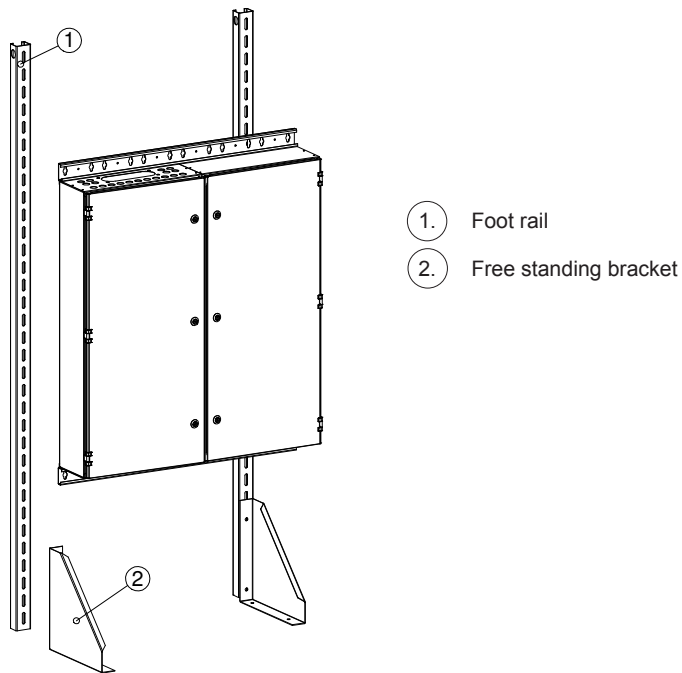
### 1. FEEDTHROUGH BEADS

Code	Description	Width mm (B)	Colour
50028111	Feedthrough bead 30	300	zn
50028112	Feedthrough bead 45	450	zn
50028113	Feedthrough bead 60	600	zn
50028114	Feedthrough bead 75	750	zn



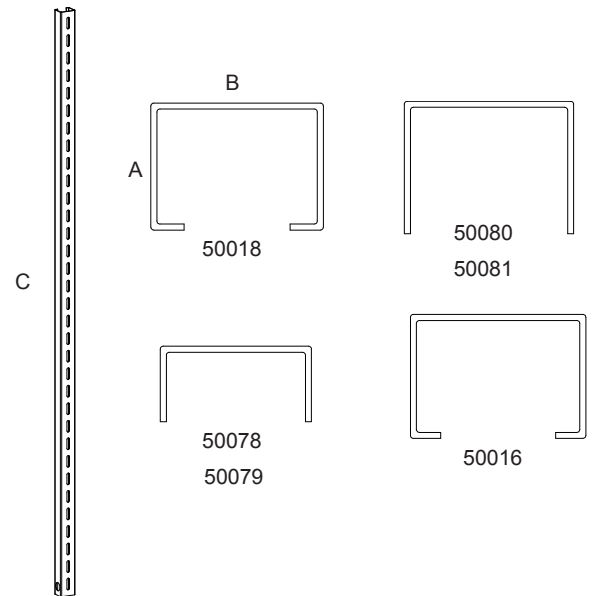
50028112 Feedthrough bead

## SPECIAL PARTS, ENCLOSURE-/CELL STRUCTURE



### 1. FOOT RAILS

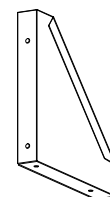
Code	Description	Depth mm (A)	Width mm (B)	Colour
50078	Foot rail 30*2000	26	50	2000
50079	Foot rail 30*2300	26	50	2300
50080	Foot rail 50*2000	44	56	2000
50081	Foot rail 50*2300	44	56	2300
50018	Foot rail 55*44*2000	42	58	2000
50016	Foot rail 55*44*2300	42	58	2300



50018 Foot rail 55\*44\*2000

### 2. FREE STANDING BRACKET

Code	Description	Colour
50020	Free standing bracket	zn



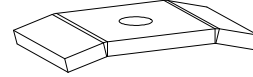
50020 Free standing bracket



## SPECIAL PARTS, ENCLOSURE-/CELL STRUCTURE

### 1. ATTACHING COMPONENT

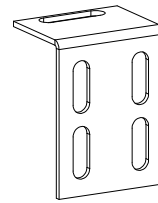
Code	Description	Colour
50028096	Attaching component	zn



50028096 Attaching component

### 2. ATTACHING BRACKET

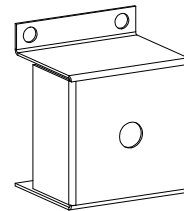
Code	Description	Colour
50028097	Attaching bracket 44	zn



50028097 Attaching bracket 44

### 3. COVER BOX FOR SEAL

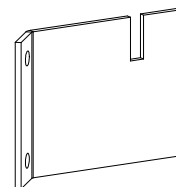
Code	Description	Colour
50529140-2	Cover box for seal 1V	DH8080
50529141-2	Cover box for seal 3V	DH8080



50529140-2 Cover box for seal 1V

### 4. PE-BUSBAR HOLDER

Code	Description	Colour
50526075	PE-busbar holder	zn

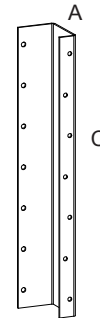


50526075 PE-busbar holder

## SPECIAL PARTS, ENCLOSURE-/CELL STRUCTURE

### 1. MOUNTING BEADS

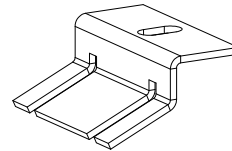
Code	Description	Depth mm (A)	Width mm (B)	Colour
50027097	Mounting bead 44	44	280	zn
50029095	Mounting bead 44-380	44	380	zn



50027097 Mounting bead 44

### 2. DIN-RAIL BRACKET

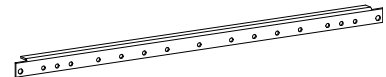
Code	Description	Colour
50027098	Din-rail bracket	zn



50027098 Din-rail racket

### 3. VERTICAL DIN-INSTALLATION RAILS

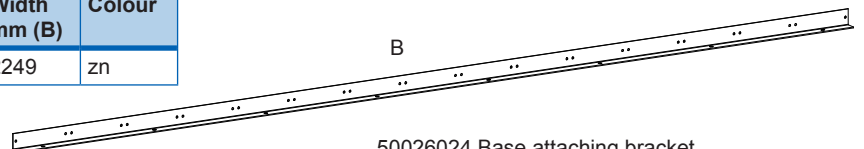
Code	Description	Width mm (B)	Colour
50029125	Vertical DIN-installation rail 30	300	zn
50029126	Vertical DIN-installation rail 45	450	zn
50029127	Vertical DIN-installation rail 60	600	zn



50029126 Vertical DIN-installation rail 45

### 4. BASE ATTACHING BRACKET

Code	Description	Width mm (B)	Colour
50026024	Base attaching bracket	2249	zn

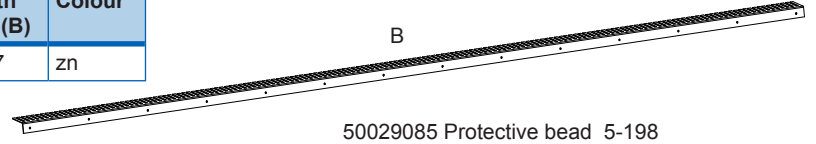


50026024 Base attaching bracket

## SPECIAL PARTS, ENCLOSURE-/CELL STRUCTURE

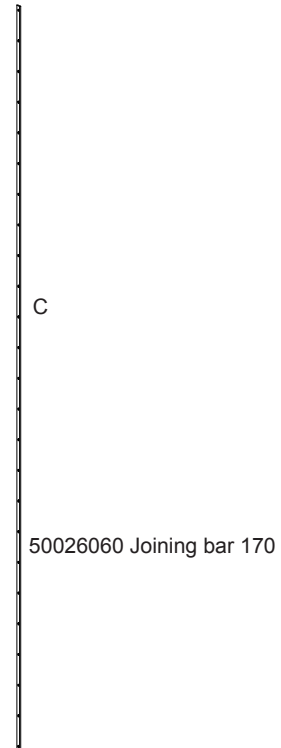
### 1. PROTECTIVE BEAD

Code	Description	Depth mm (A)	Width mm (B)	Colour
50029085	Protective bead 5-198		1987	zn



### 2. BARS SINGLE-POINT FUNCTION

Code	Description	Height mm (C)	Colour
50020060	Joining bar 170	1660	zn



Code	Description	Colour
50020061	Latch extension 54	zn



50020061 Latch extension 54

Code	Description	Colour
50020065	Special latch	zn

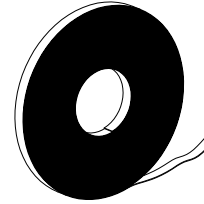


50020065 Special latch

## SPECIAL PARTS, ENCLOSURE-/CELL STRUCTURE

### 1. SEALING

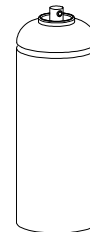
Code	Description
50020001	Sealing strip 10*15 mm,7 m/roll
50020040	Joint sealing strip 0,8*20 mm,60m/roll
50020041	Joint sealing strip 0,8x30 mm,60 m/orll



Joint sealing strip

### 2. SPRAY-PAINTS

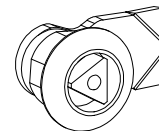
Code	Description	Colour
50020010	Spray-paint RR20	RR20
50020011	Spray-paint RAL7032 matt	RAL 7032
50020012	Spray-paint RAL7035	RAL 7035



Spray-paint

### 3. LOCK BODY

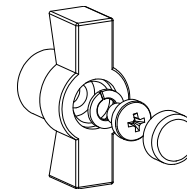
Code	Description
50020050	Lock body 18-35



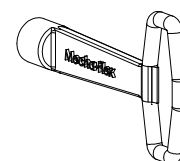
50020050 Lock body

### 4. HANDLES

Code	Description
50020051	Handle (plastic) +screw+cover
50020052	Handle, aluminium



50020051 Handle (plastic) +screw+cover

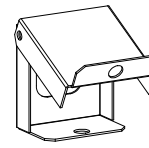


50020052 Handle, aluminium

## SPECIAL PARTS, ENCLOSURE-/CELL STRUCTURE

### 1. LATCH FOR SEAL

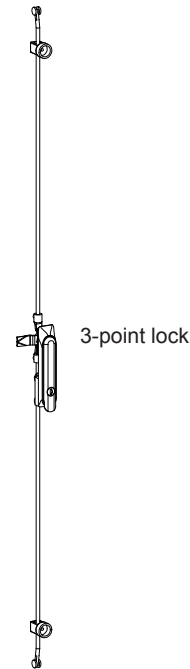
Code	Description	Colour
50020053	Latch for seal	zn



Latch for seal

### 2. 3-POINT LOCK

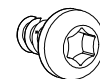
Code	Description
50059065	3-point lock



3-point lock

### 3. SCREWS

Code	Description
50059054	Plate screw DIN 7981 ZN 4,8*9,5 KERB 1 TORX
50059053	Hinged screw M5*8 Taptite TX25 DIN 965
50059055	Plate screw DIN 7981 ZN 5,5*13 KERB 1 TORX



*MF-assembling screw*

50059054 Plate screw DIN 7981 ZN  
4,8\*9,5 KERB 1 TORX



*Screw for attaching the Elcover-door to the frame structure*

50059053 Hinged screw M5\*8 Taptite  
TX25 DIN 965



*Fastening screw for MF-bus-bars*

50059055 Plate screw DIN 7981 ZN  
5,5\*13 KERB 1 TORX