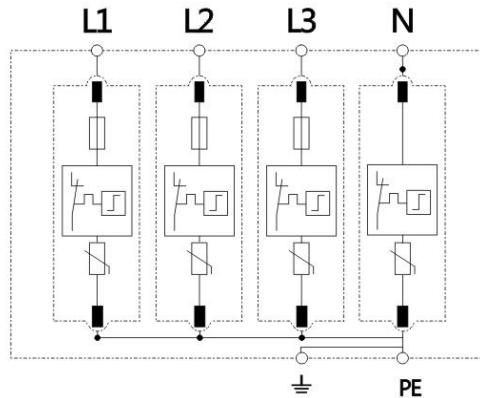
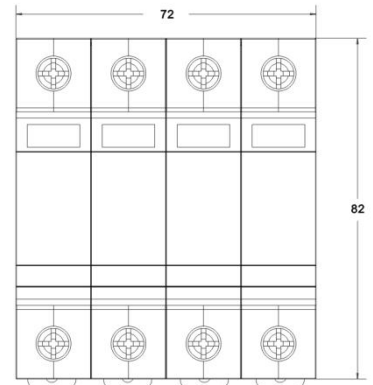




Outside drawing



Electrical principle



Outline dimension

Type 2 surge protective device especially designed for low-voltage power supply system at the boundaries from lightning protection zone 1-2 and higher.

- Class II/class C SPD, max discharge current 40kA 8/20
- Pluggable design surge arrester for easy replacement
- Comply with IEC61643-11 and UL1449-4th
- The power module surge protector shall be replaced immediately when the deterioration indication window is "red".

Part No.	SP40-385VT/4P
In accordance with	IEC61643-11:2011; UL1449 4th
Category IEC/VDE	Type 2, Class II
Max. continuous operating voltage (AC/DC) U _c	385V/505V
Nominal discharge current(8/20) I _n	20kA
Max. discharge current(8/20) I _{max}	40kA
Voltage protection level/U _p @I _n	<1,8kV
Response time	≤25 ns
leakage current	≤20
Backup fuse(only required if not already provided in mains)	125A gL/gG
Action time of the deterioration indicator device	(320mA) ≤1
Operating temperature range	- 40°C ~ + 80°C
Cross-section of connection wire	Single-strand 35mm ² ; multi-strand 25mm ²
Torque applied by the screws	2.0-2.5 Nm
Mounting	35mm DIN-rail in accordance with EN 50022/DIN46277-3
Enclosure material	thermoplastic; extinguishing degree UL94 V-0
Housing protection level	IP20
Installation width	4 modules, DIN 43880
Thermal disconnecter	Internal green – normal ; red - failure
Remote alarm contact	No
Additional data for Remote Alarm Contacts	Closed and open 1.5mm ² / 0.5 Nm ,max
Remote alarm contact type	Isolated Form C
Switching capability Un/In	AC: 250V/0.5A DC: 250V/0.1A; 125V/0.2A; 75V/0.5A
Max. Size of connecting wire	Max. 1.5mm ² (or # 16AWG)