



9.7 DRH Direct rotary handle

9.7.1 Function

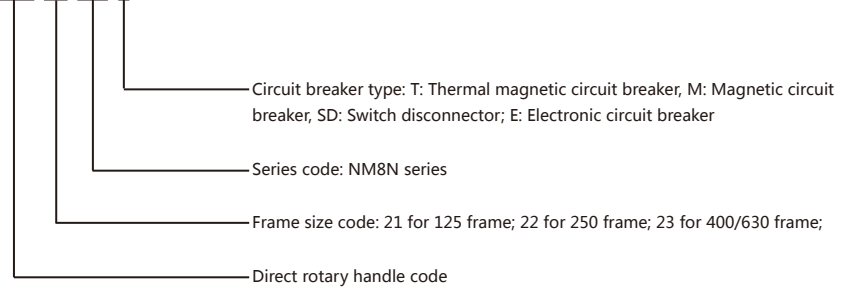
The unique design and transmission structure are adopted to realize the closing, opening and re-closing operation of the circuit breaker by rotating the handle.

Protection degree: IP40

- Reliable insulation;
- With isolation function indication;
- O (open), I (closed) and free trip 3 position indications;
- The circuit breaker can be locked in the OFF position through 1~3 padlocks with a diameter of 5 ~ 8mm.
- (Padlock user prepared)

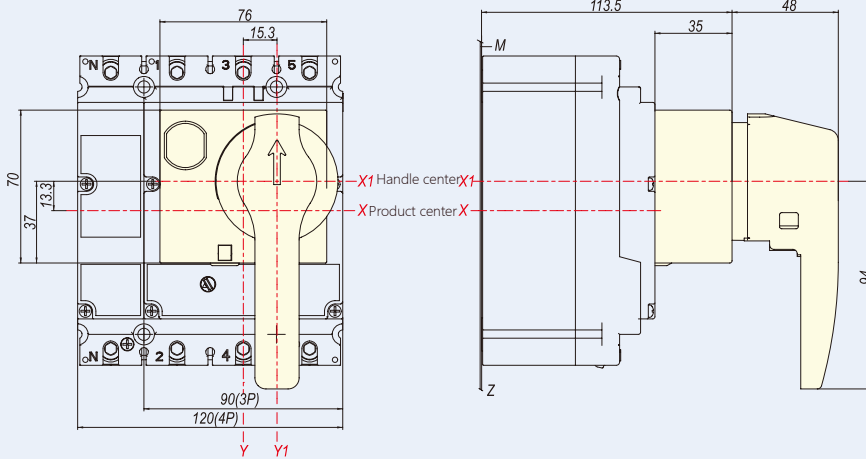
9.7.2 Model description

DRH 21-M8 T

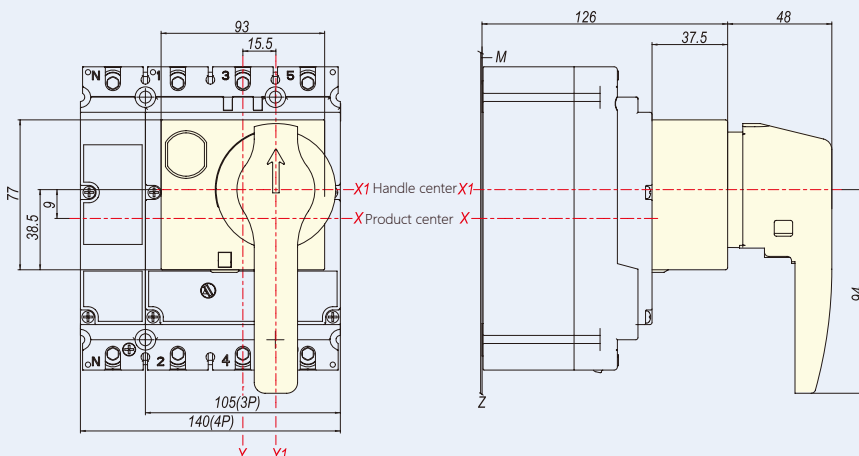


9.7.3 Installation dimension drawing

Overall dimension of DRH21-M8



Overall dimension of DRH22-M8



Overall dimension of DRH23-M8

