

9.6 SRH Economic extended rotary handle

9.6.1 Function

The unique design and transmission structure are adopted to realize the closing, opening and re-closing operation of the circuit breaker by rotating the handle. Protection degree: IP30

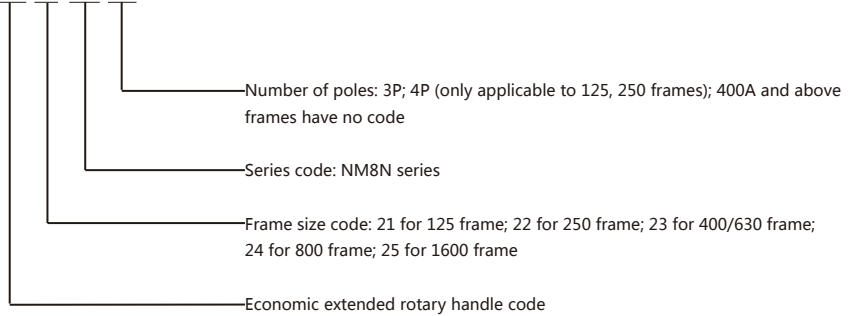
Protection degree: IP30



- With isolation function indication;
- O (open), I (closed) and free trip 3 position indications;
- The circuit breaker can be locked in the OFF position with 1 ~ 3 padlocks with a diameter of 5 ~ 8mm. At this time, it can prevent the circuit breaker from closing and the switch cabinet from opening;
- When the switch is in the ON position, the cabinet door cannot be opened under the action of the rotary handle (if the cabinet door is opened urgently, the cabinet door can be opened by the emergency unlocking device on the handle).

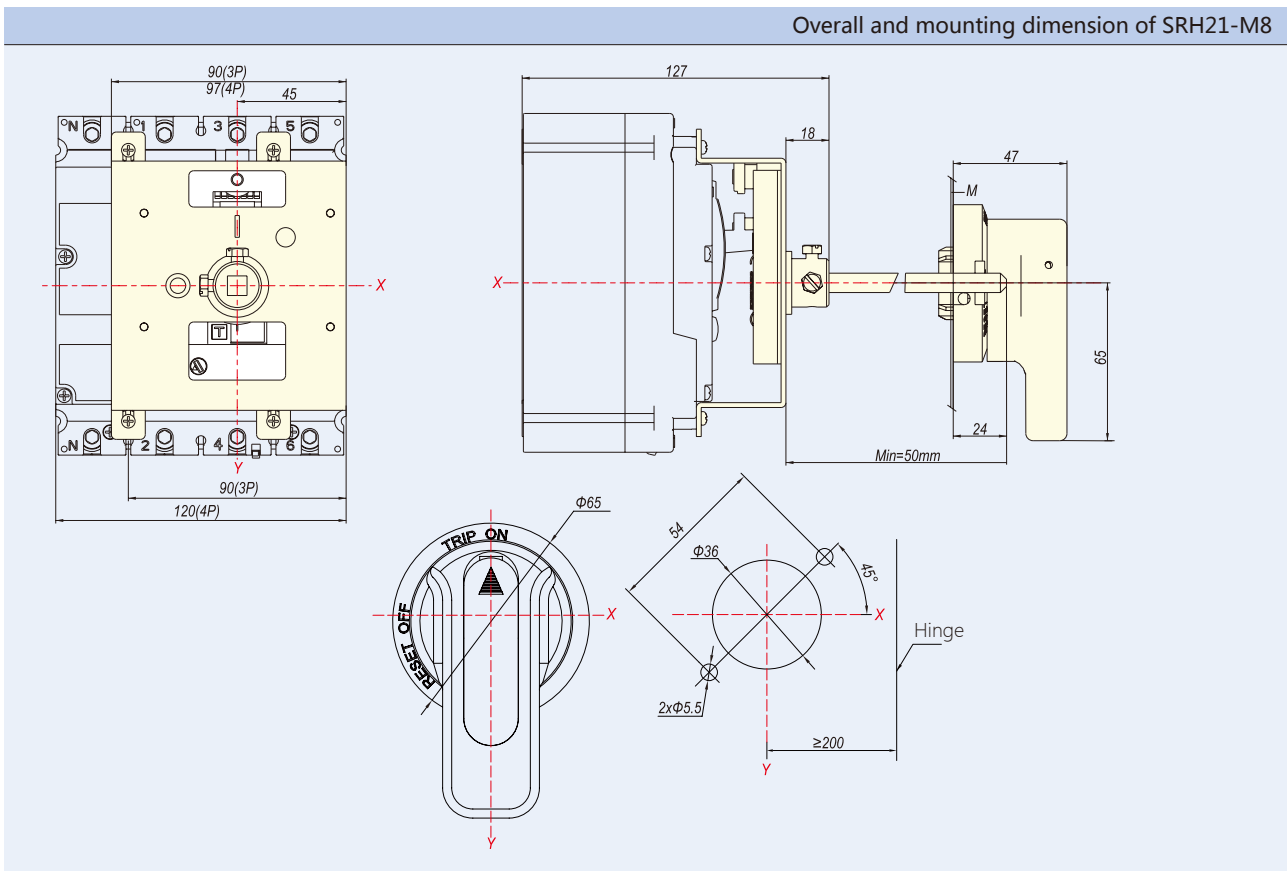
9.6.2 Model description

SRH 21-M8 3P

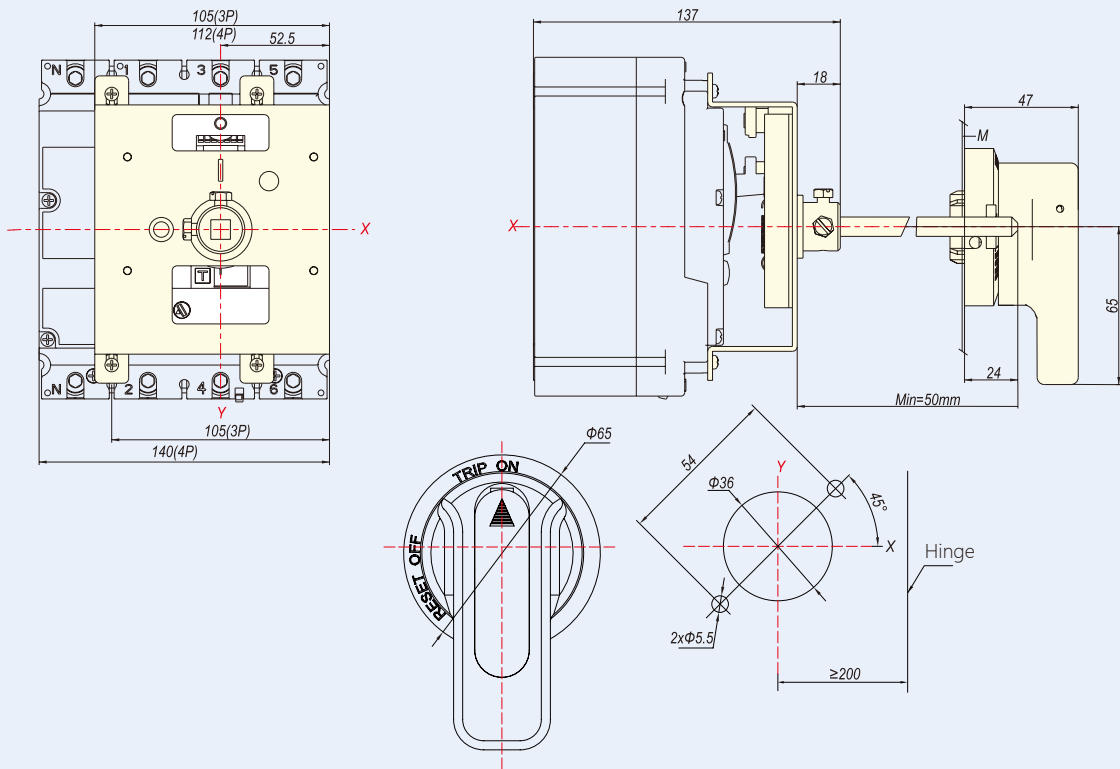


9.6.3 Installation dimension drawing

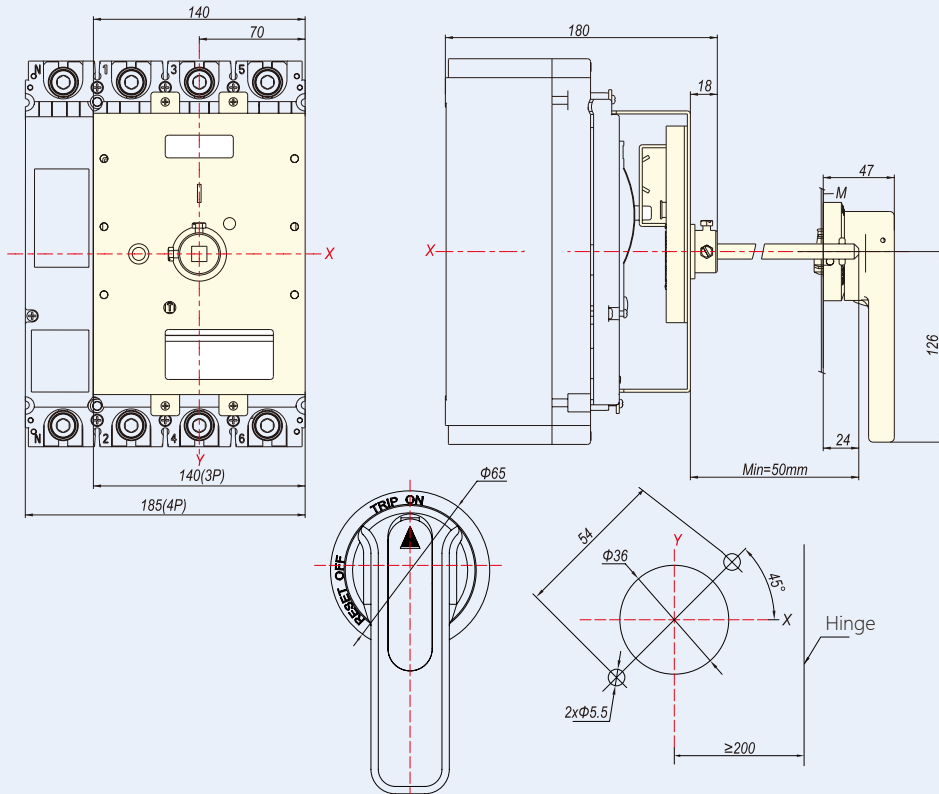
Overall and mounting dimension of SRH21-M8



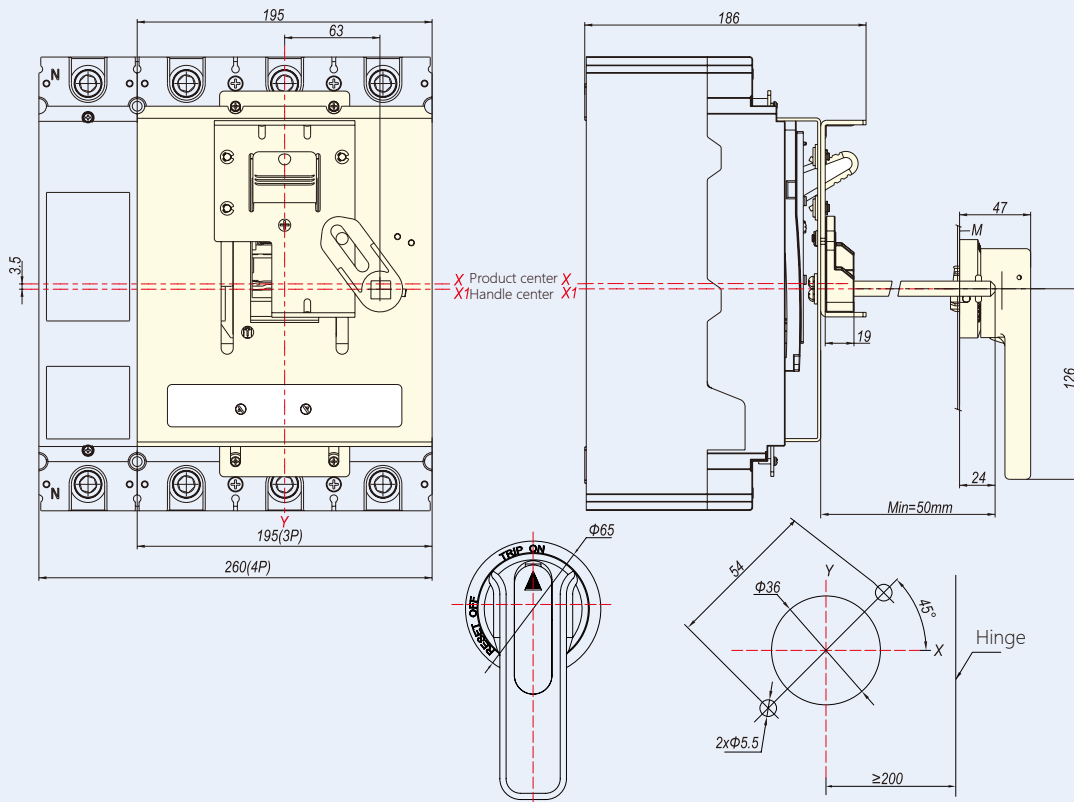
Overall and mounting dimension of SRH22-M8



Overall and mounting dimension of SRH23-M8



Overall and mounting dimension of SRH24-M8



Overall and mounting dimension of SRH25-M8

