

9.5 MOD Motor-driven mechanism

9.5.1 Function

It is suitable for closing, opening and re-opening of circuit breakers at long distances, as well as automation applications.



A: Protection level: IP40

- Reliable insulation;
- With isolation function indication;
- O (open), I (closed) and free trip 3 position indications;
- Free circuit breaker trip;
- Manually or automatically operated circuit breakers for closing and opening.

B: manual operation

Pull the "manual / auto" switch to the manual position and turn the operation handle to switch on and off the circuit breaker.

C: automatic operation

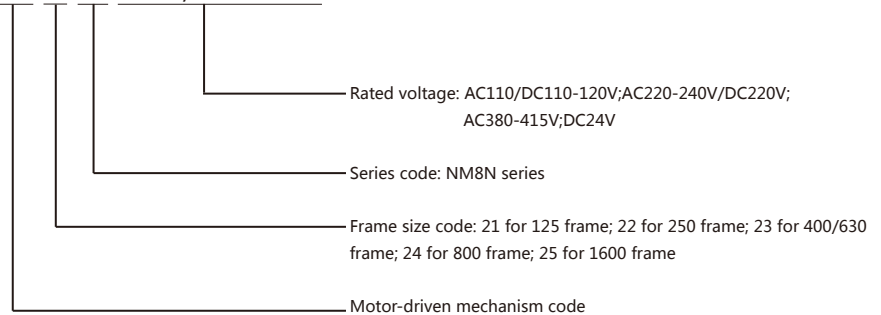
Pull the "manual / auto" switch to the automatic position, and remotely press the "close or open" button to switch on and off the circuit breaker.

D: Automatically switch on or off by pulse or self-holding signal control.

E: Only when the control voltage is  $\geq 85\% U_n$  and  $\leq 110\% U_n$  can the circuit breaker be reliably switched on and off.

9.5.2 Model description

MOD 21-M8 AC110/DC110-120V

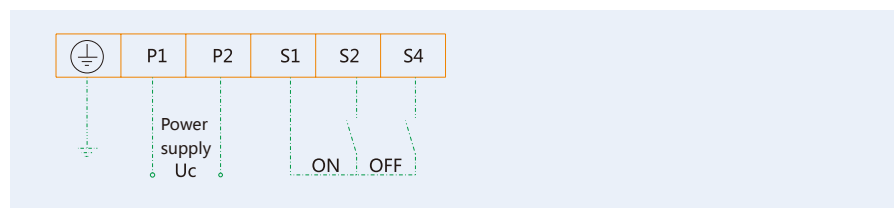


**Note:** The 1600 frame motor-driven mechanism is assembled in the factory and is suitable for electronic circuit breakers and disconnectors according to the inside of the circuit breaker.

9.5.3 Electrical characteristics

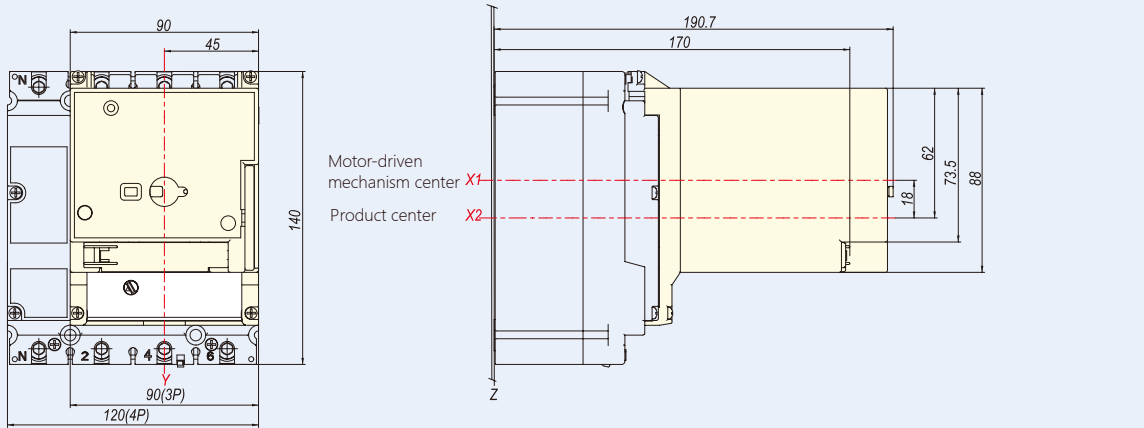
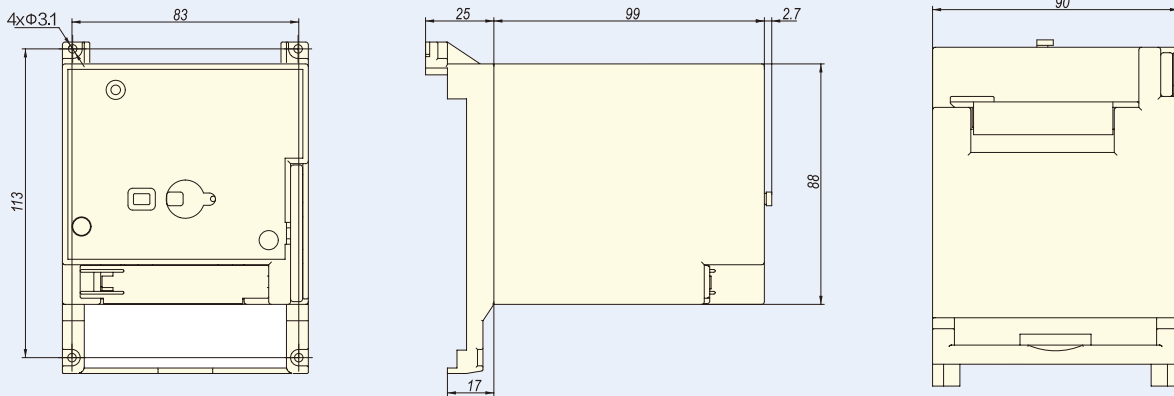
Frame size	Rated operational voltage	Life(CO recycle)	Power consumption	Action current	Making duration	Breaking duration	Minimum duration of ON (OFF) signal pulse
125A	AC110V/DC110-120V AC220-240V/DC220V AC380-415V DC24V	10000	150 VA	$\geq 3A$	$\leq 500ms$	$\leq 500ms$	300ms
250A		10000	150 VA	$\geq 3A$	$\leq 500ms$	$\leq 500ms$	300ms
400/630A		8000	300 VA	$\geq 3A$	$\leq 1000ms$	$\leq 1000ms$	300ms
800A		4000	300 VA	$\geq 3A$	$\leq 1000ms$	$\leq 1000ms$	300ms
1600A		7000	75VA	$\geq 3A$	$\leq 1000ms$	$\leq 1000ms$	300ms

9.5.4 Wiring diagram

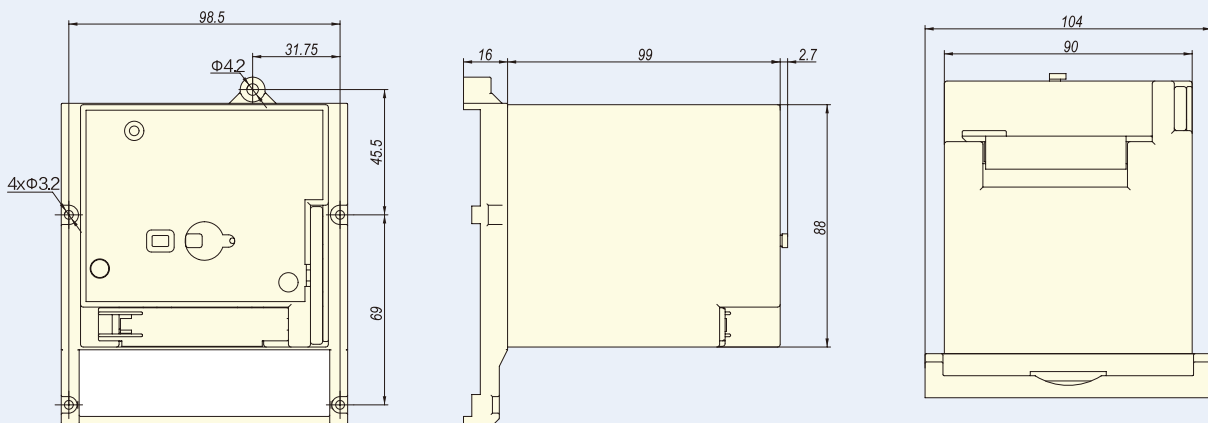


9.5.5 Installation dimension drawing

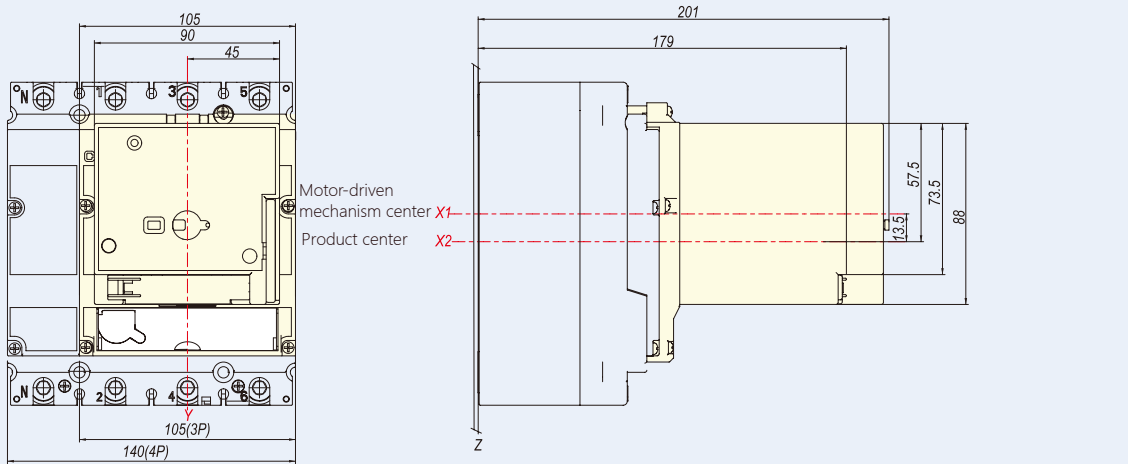
Overall and mounting dimension of MOD21-M8



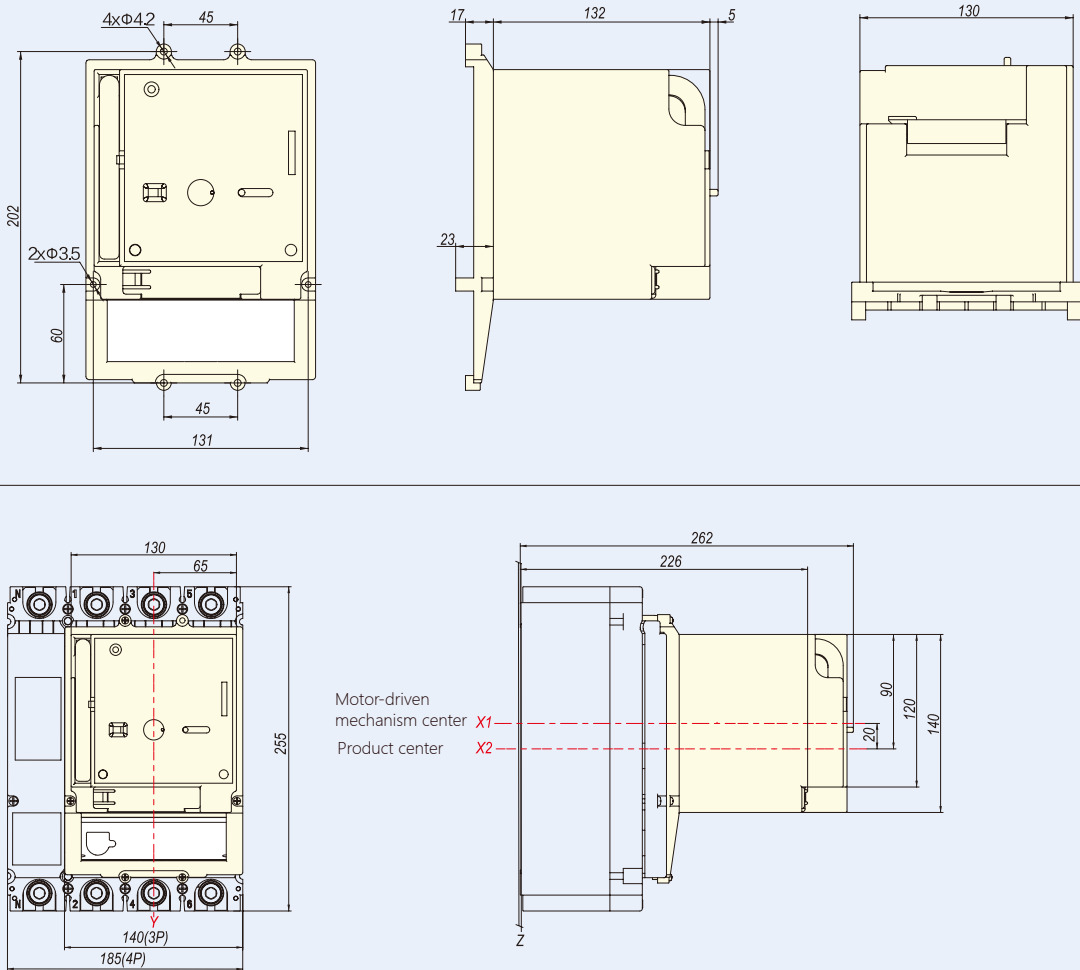
Overall dimension of MOD22-M8



Mounting dimension of MOD22-M8



Overall and mounting dimension of MOD23-M8



Overall and mounting dimension of MOD24-M8

