

Type	T3X-125KVA 230/4000 IP55
Description	Three-phase transformer 125KVA IP55 <b>CV037658</b>
Product code	T3X-125
Standards	EN60076

Date 27/10/2020

Rated Power	125 KVA
-------------	---------

<b>Input</b>	
Rated input voltage	230V (D)
Rated frequency	50-60 Hz
Primary current	315A
Winding material	Al

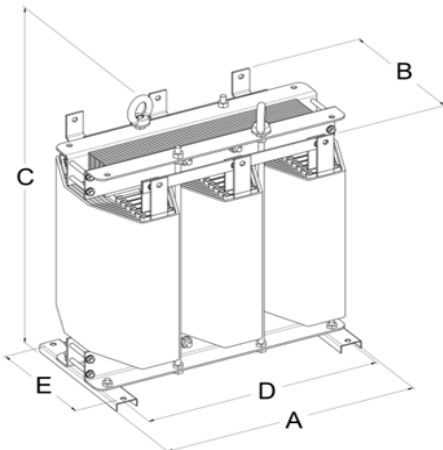
<b>Output</b>	
Rated output voltage	400V (YN)
Secondary current	180,4A
Winding material	Al

Marks	CE
-------	----

<b>Environment</b>	
Cooling method	AN
Ambient temperature max	40°C/F
Winding temperature rise	CLASS F
Altitude	1000 mt

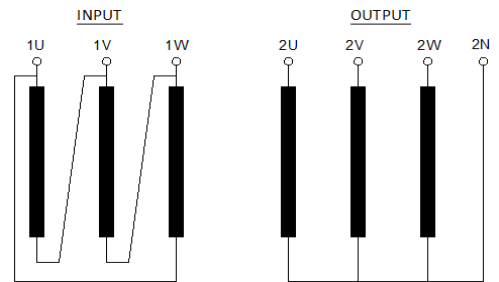
<b>Terminals and mounting</b>	
Terminals	BARS
Fixing method	SCREWS

<b>Dimensions (mm) and weight (kg) - Transformer*</b>			
A	B	C	Weight
720	560	720	551



\* dimensions and weight tolerance: ± 4%

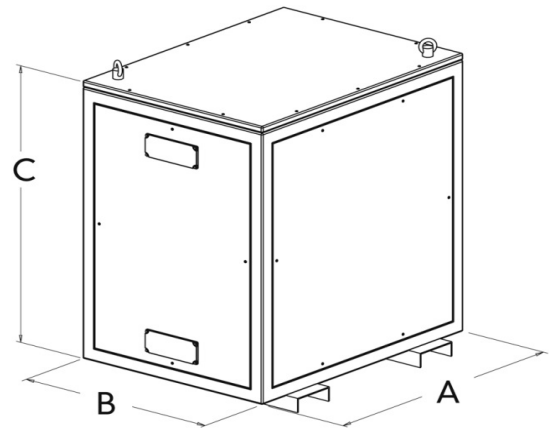
Vector group	YNd11
--------------	-------



<b>Performance**</b>	
No-load losses	890 W
Load losses at 75 °C	1650 W
Efficiency at 75 °C	98,04%
Ucc TOT (UccR / UccX) at 75 °C	3,70%

<b>Safety and protection</b>	
Insulation class	CLASS H
Working class	CLASS F
Protection degree	IP00
Inrush current	12-13 x In
Test Voltage	3 KV/1'
No-load voltage	408,3 V

<b>Dimensions (mm) and weight (kg)- Enclosure IP55</b>			
A	B	C	Weight
1200	1000	1300	110



\*\* performance tolerance: ± 10 %

