

Type	T3X-200KVA 230/400V IP54
Description	Three-phase transformer 200KVA
Product code	CV043903
Standards	T3X-200 EN60076

Date 27/06/2022

Rated Power 200 KVA

**Input**

Rated input voltage	230 V (D)
Rated frequency	50 Hz
Primary current	502 A
Winding material	AL

**Output**

Rated output voltage	400 V (Y+N)
Secondary current	289 A
Winding material	AL

Marks CE

**Environment**

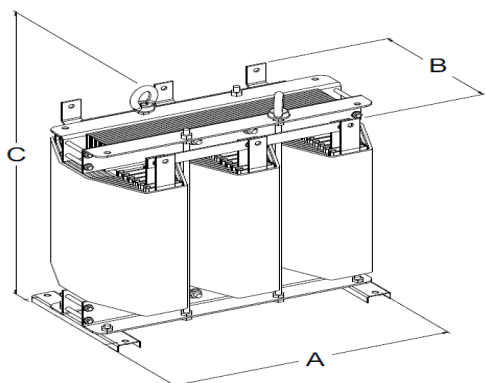
Cooling method	AN
Ambient temperature max	40°C
Winding temperature rise	CLASS F
Altitude	1000 mt

**Terminals and mounting**

Terminals	BARS
Fixing method	SCREWS

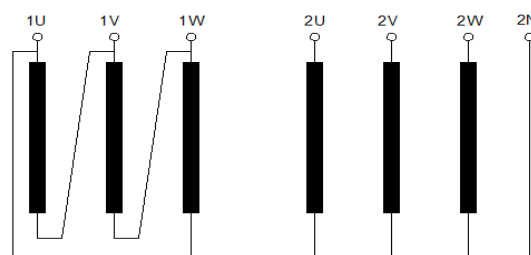
**Dimensions (mm) and weight (kg) - Transformer\***

A	B	C	Weight
840	560	798	860



\*\* dimensions and weight tolerance: ± 4%

Vector group YNd11



**Performance\***

No-load losses	983 W
Load losses at 75°C	1979 W
Efficiency at 75°C	98,54%
Ucc TOT (Ucc X / Ucc R) at 75°C	3,29%

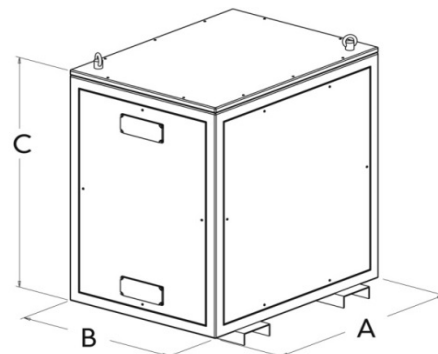
\* performance tolerance: ± 10 %

**Safety and protection**

Insulation class	CLASS F
Working class	CLASS F
Protection degree	IP54
Test Voltage	3 KV / 60sec.
No-load Voltage	398,4 V

**Dimensions (mm) and weight (kg)- Enclosure IP54**

A	B	C	Weight
1100	1150	1070	96



\*\* dimensions and weight tolerance: ± 4%

