



Type	T3T-25KVA 230/400V IP55
Description	Three-phase transformer 25KVA
Product code	T3T-25
Standards	EN60076

Date 03/06/2024

Rated Power	25 KVA
-------------	--------

Vector group	Dyn11
--------------	-------

**Input**

Rated input voltage	230 V (D)
Rated frequency	50 Hz
Primary current	63 A
Winding material	AL

**Output**

Rated output voltage	400 V (Y+N)
Secondary current	36 A
Winding material	AL

Marks	CE
-------	----

**Environment**

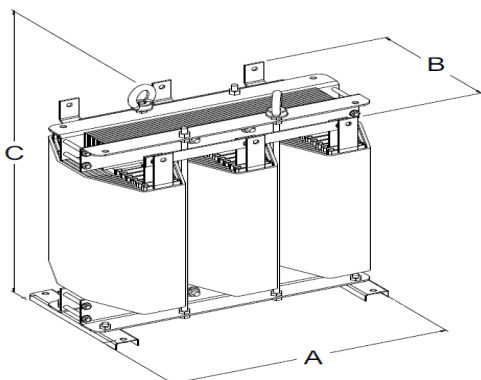
Cooling method	AN
Ambient temperature max	40 °C
Winding temperature rise	CLASS F
Altitude	1000 mt

**Terminals and mounting**

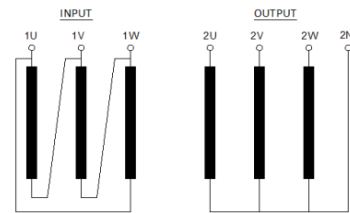
Terminals	TERMINALS
Fixing method	SCREWS

**Dimensions (mm) and weight (kg) - Transformer\*\***

A	B	C	Weight
480	290	440	163



\*\* dimensions and weight tolerance: ± 4%



**Performance\***

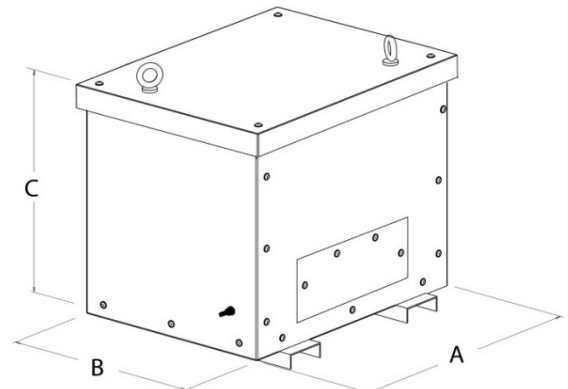
No-load losses	300 W
Load losses at 75 °C and at 120 °C	390 W - 450 W
Ucc% at 75 °C and at 120 °C	2,1% - 2,3%
Efficiency at 75 °C	97,31%
Efficiency at 120 °C	97,09%
<i>* performance tolerance: ± 10 %</i>	

**Safety and protection**

Insulation class	CLASS H
Working class	CLASS F
Protection degree	IP55
Test Voltage	3 KV / 60sec.
No-load Voltage	403,5 V

**Dimensions (mm) and weight (kg)- Enclosure IP55\*\***

A	B	C	Weight
850	700	950	75



\*\* dimensions and weight tolerance: ± 4%

