



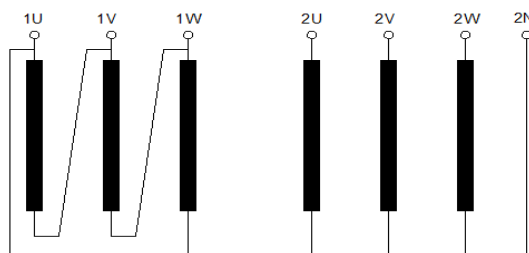
Type	T3X-40KVA 230/400V IP55
Description	Three-phase transformer 40KVA
Product code	T3X-40
Standards	EN60076

Date 01/07/2024

Rated Power	40 KVA
-------------	--------

Vector group	YNd11
--------------	-------

Input	
Rated input voltage	230 V (D)
Rated frequency	50 Hz
Primary current	100 A
Winding material	AL



Output	
Rated output voltage	400 V (Y+N)
Secondary current	58 A
Winding material	AL

Performance*	
No-load losses	400 W
Load losses at 75°C and at 120°C	790 W - 910 W
Ucc% at 75°C and at 120°C	3,5% - 3,7%
Efficiency at 75°C	97,11%
Efficiency at 120°C	96,83%

Marks	CE
-------	----

* performance tolerance: ± 10 %

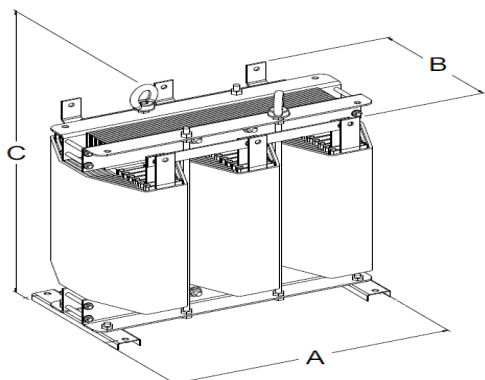
Environment	
Cooling method	AN
Ambient temperature max	40°C
Winding temperature rise	CLASS F
Altitude	1000 mt

Safety and protection	
Insulation class	CLASS H
Working class	CLASS F
Protection degree	IP55
Test Voltage	3 KV / 60sec.
No-load Voltage	403,3 V

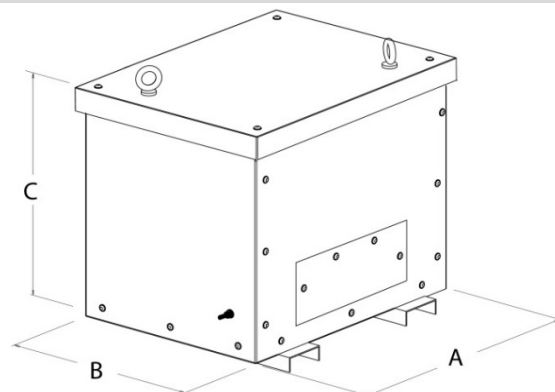
Terminals and mounting	
Terminals	TERMINALS
Fixing method	SCREWS

Dimensions (mm) and weight (kg) - Transformer**			
A	B	C	Weight
600	320	550	224

Dimensions (mm) and weight (kg)- Enclosure IP23**			
A	B	C	Weight
1000	850	1100	90



** dimensions and weight tolerance: ± 4%



** dimensions and weight tolerance: ± 4%

