



Type	T3X-50KVA 230/400V IP55
Description	Three-phase transformer 50KVA IP55
Product code	T3X-50 / CV-100021
Standards	EN60076

Date 20/08/2018

Rated Power	50 KVA
-------------	--------

Input	
Rated input voltage	230 V (D)
Rated frequency	50-60 Hz
Primary current	126 A
Winding material	Al+CUPONAL

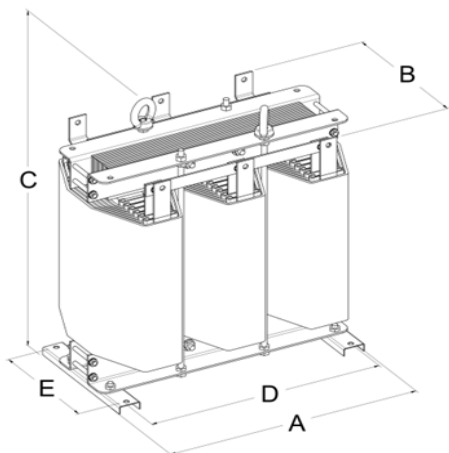
Output	
Rated output voltage	400 V (YN)
Secondary current	72,17 A
Winding material	Al+CUPONAL

Marks	CE
-------	----

Environment	
Cooling method	AN
Ambient temperature max	40°C/F
Winding temperature rise	CLASS F
Altitude	1000 mt

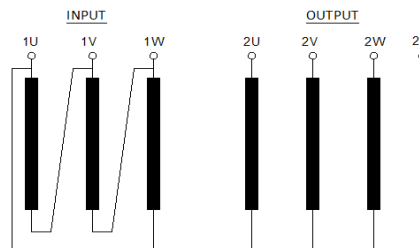
Terminals and mounting	
Terminals	BARS
Fixing method	SCREWS

Dimensions (mm) and weight (kg) - Transformer*			
A	B	C	Weight
600	440	550	300



* dimensions and weight tolerance: ± 4%

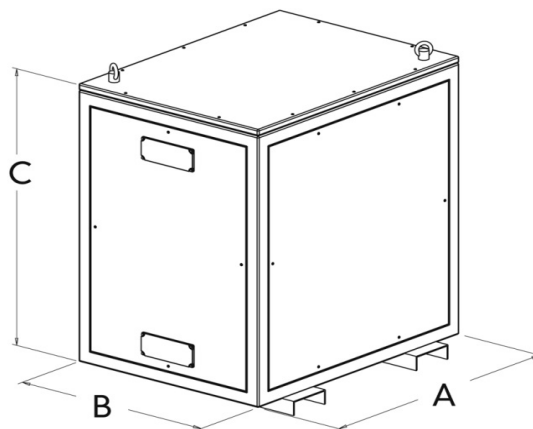
Vector group	YNd11
--------------	-------



Performance**	
No-load losses	340 W
Load losses at 75 °C	800 W
Efficiency at 75 °C	97,80%
Ucc TOT (UccR / UccX) at 75 °C	3,30%

Safety and protection	
Insulation class	CLASS F
Working class	CLASS F
Protection degree	IP00
Inrush current	13-15 x In
Test Voltage	3 KV/1'
No-load Voltage	405 V

Dimensions (mm) and weight (kg)- Enclosure IP54			
A	B	C	Weight
1000	850	1100	90



** performance tolerance: ± 10 %

