



**Type** T3X-60KVA 230/400V IP55  
**Description** Three-phase transformer 60kVA IP55  
**Product code** T3X-60  
**Standards** EN60076  
**CENIKANUMMER: CV039003**

**Compiler** LAURA L.  
**Date** 19.11.2013

**Rated Power** 60 KVA

**Input**

Rated input voltage 230 V (D)  
 Rated frequency 50-60 Hz  
 Primary current 150 A  
 Winding material Al

**Output**

Rated output voltage 400 V (YN)  
 Secondary current 86,6 A  
 Winding material Al

**Marks** CE

**Environment**

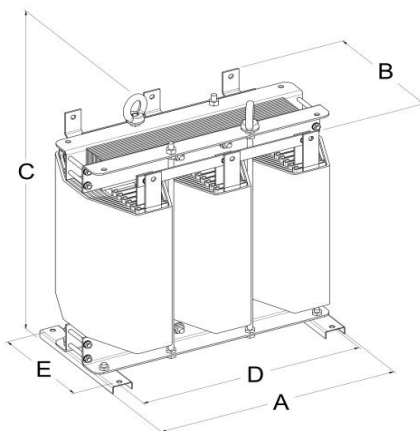
Cooling method AN  
 Ambient temperature max 40°C/F  
 Winding temperature rise CLASS F  
 Altitude 1000 mt

**Terminals and mounting**

Terminals BARS  
 Fixing method SCREWS

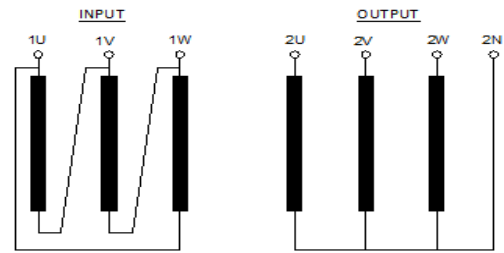
**Dimensions (mm) and weight (kg) - Transformer\***

A	B	C	Weight
600	420	550	345



\* dimensions tolerance: ± 3 mm; weight tolerance: ± 3 %

**Vector group** YNd11



**Performance\*\***

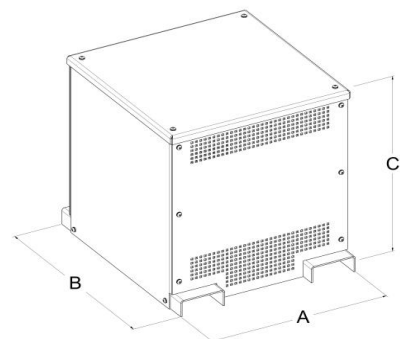
No-load losses 440 W  
 Load losses at 75° 920 W  
 Efficiency 97,70 %  
 Ucc TOT (Ucc X / Ucc R) 2,40 %

**Safety and protection**

Insulation class CLASS F  
 Working class CLASS F  
 Protection degree IP 00  
 Inrush current 24 x In  
 Test voltage  
 Tap changer method

**Dimensions (mm) and weight (kg)- Enclosure IP55**

A	B	C	Weight
1000	850	1100	90



\*\* performance tolerance: ± 10 %

