



Type	T3X-6KVA 230/400V IP55
Description	Three-phase transformer 6KVA IP55 CV049450
Product code	T3X-6
Standards	EN60076

Date 10/11/2021

Rated Power	6 KVA
-------------	-------

Input

Rated input voltage	230V (D)
Rated frequency	50-60 Hz
Primary current	15 A
Winding material	Al

Output

Rated output voltage	400 V (YN)
Secondary current	8,67 A
Winding material	Al

Marks	CE
-------	----

Environment

Cooling method	AN
Ambient temperature max	40°C/F
Winding temperature rise	CLASS F
Altitude	1000 mt

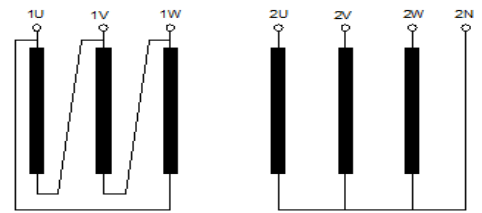
Terminals and mounting

Terminals	TERMINAL BLOCKS
Fixing method	SCREWS

Dimensions (mm) and weight (kg) - Transformer*

A	B	C	Weight
360	250	330	73

Vector group	YNd11
--------------	-------



Performance**

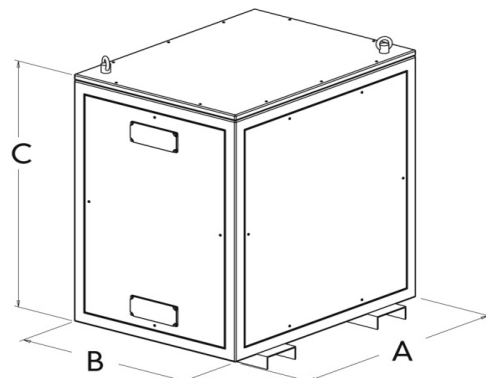
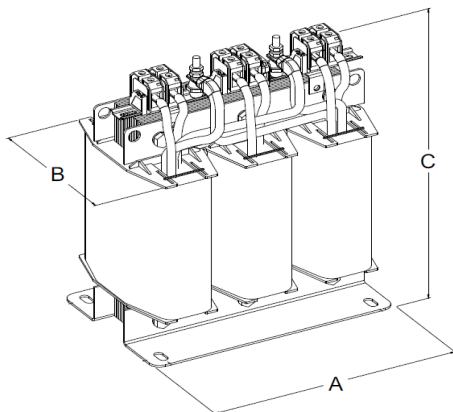
No-load losses	130 W
Load losses at 75 °C	150 W
Efficiency at 75 °C	95,50%
Ucc TOT at 75 °C	2,60%

Safety and protection

Insulation class	CLASS F
Working class	CLASS F
Protection degree	IP00
Test voltage	3 KV/1'
No-load Voltage	404,3 V

Dimensions (mm) and weight (kg)- Enclosure IP55

A	B	C	Weight
750	650	850	65



* dimensions and weight tolerance: ± 4%

** performance tolerance: ± 10 %

