



Type	T3X-80KVA 230/400V IP55
Description	Three-phase transformer 80kVA IP55
Product code	T3X-80
Standards	EN 60076

**Cenikanr: CV039010**

Compiler	LAURA L.
Date	09.10.2013

<b>Rated Power</b>	80 KVA
--------------------	--------

**Input**

Rated input voltage	230 V (D)
Rated frequency	50-60 Hz
Primary current	201 A
Winding material	Al

**Output**

Rated output voltage	400 V (YN)
Secondary current	115,5 A
Winding material	Al

<b>Marks</b>	CE
--------------	----

**Environment**

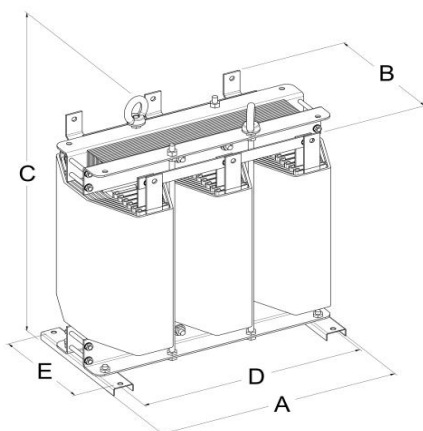
Cooling method	AN
Ambient temperature max	40°C/F
Winding temperature rise	CLASS F
Altitude	1000 mt

**Terminals and mounting**

Terminals	BARS
Fixing method	SCREWS

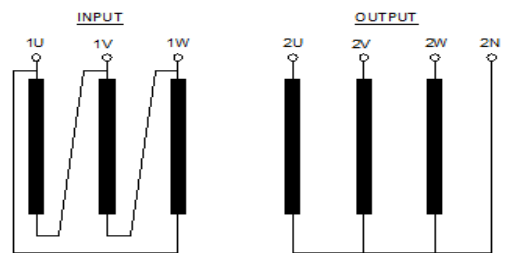
**Dimensions (mm) and weight (kg) - Transformer\***

A	B	C	Weight
600	460	550	410



\* dimensions tolerance: ± 3 mm; weight tolerance: ± 3 %

<b>Vector group</b>	YNd11
---------------------	-------



**Performance\*\***

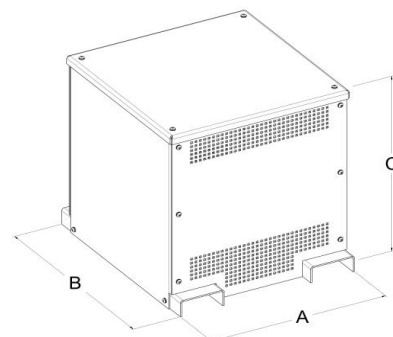
No-load losses	525 W
Load losses at 75°	1140 W
Efficiency	97,90 %
Ucc TOT	2,30 %

**Safety and protection**

Insulation class	CLASS F
Working class	CLASS F
Protection degree	IP00
Inrush current	22 x In
Tap changer method	

**Dimensions (mm) and weight (kg)- Enclosure IP55**

A	B	C	Weight
1000	850	1100	90



\*\* performance tolerance: ± 10 %

