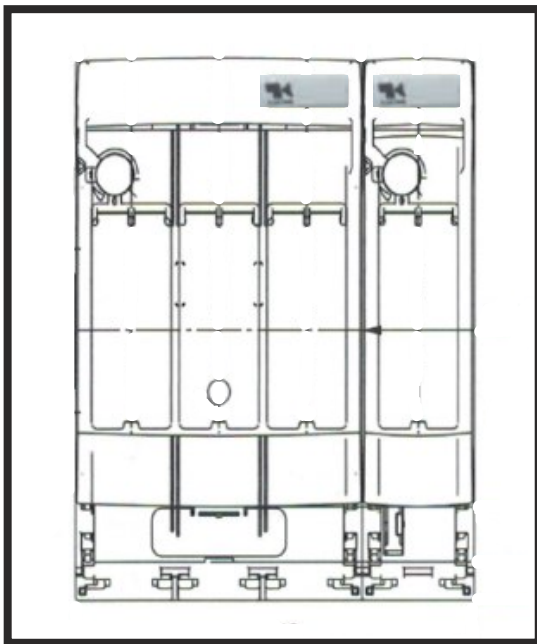




WE CONNECT TO PROTECT



NH00-Fuse switch disconnecter with integrated solid link in pole 4

Range MULTIBLOC® NH 00 AT, for mounting plate

Size: 00 / 4-pole / 160A/690V

width of 150mm

mounting plate version

cover for cable termination area can be extended as required

parking position of switch operating cover even with fuse - links inserted

sealing and padlocking device integrated in switch door cover

with ready fitted special solid link as neutral conductor on pole 4 for leading and lagging switching

Item	kg/pc	unit	Item No.
NH 00 AT 3-pole + N, with 8 termination screws M8	1,80	1	14 3090

Approvals:

EN / IEC 60947-3

 For NH-fuse links size 000/00 in accordance with IEC/EN 60 269-2,
 VDE 0636-2

Electrical data:

Number of poles:	4
Size:	00
Conventional free air thermal current with NH-fuse links: I_{th}	160 A
Max. power dissipation of fuse links: P_n	12 W
Conventional free air thermal current with solid links: I_{th}	200 A
Max. power dissipation of solid links: P_n	1,2 W
Utilization category to IEC/EN 60947-3:	
$U_e = AC 400V; I_e = 160A$	AC 23 B
$U_e = AC 500V; I_e = 160A$	AC 22 B
$U_e = AC 690V; I_e = 125A$	AC 21 B
Rated operational voltage: U_e	690 V
Rated insulation voltage: U_i	1000 V
Rated impulse withstand voltage: U_{imp}	8 kV
Rated frequency:	50 ... 60 Hz
Rated duty:	uninterrupted duty
Rated conditional short-circuit current with fuse links:	
$U_e = AC 400V; I_e = 160A$	80 kA
$U_e = AC 500V; I_e = 160A$	80 kA
$U_e = AC 690V; I_e = 125A$	50 kA
Rated short circuit making capacity with solid links: I_{cm}	6,2 kA _{sw}
Rated short-time withstand current: I_{cw}	4 kA / 1s
Power dissipation by I_{th} without NH-fuse links:	10,3 W
Power dissipation by I_{th} without solid links:	13,3 W

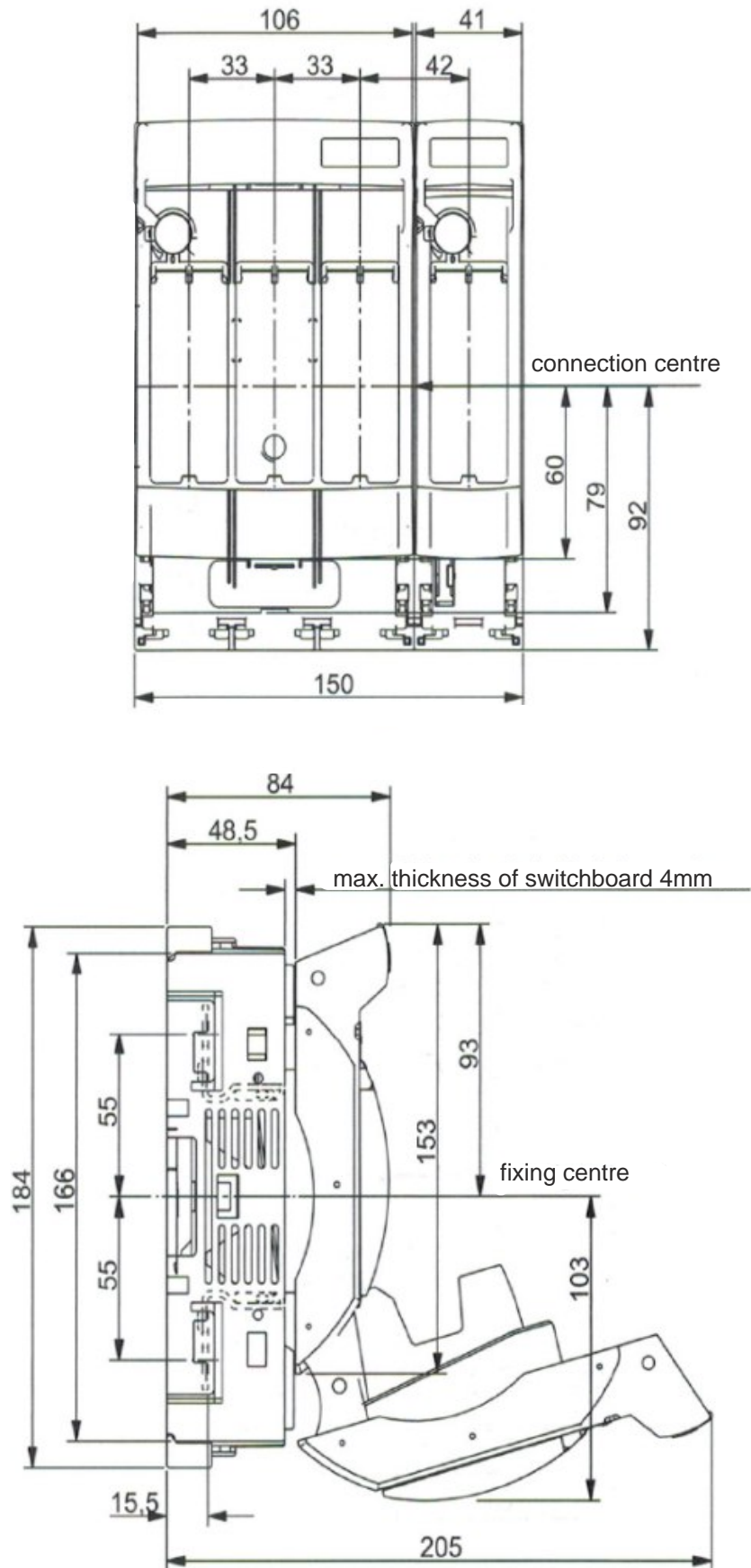
Mechanical data:

Degree of protection:	IP 20
Degree of pollution:	3

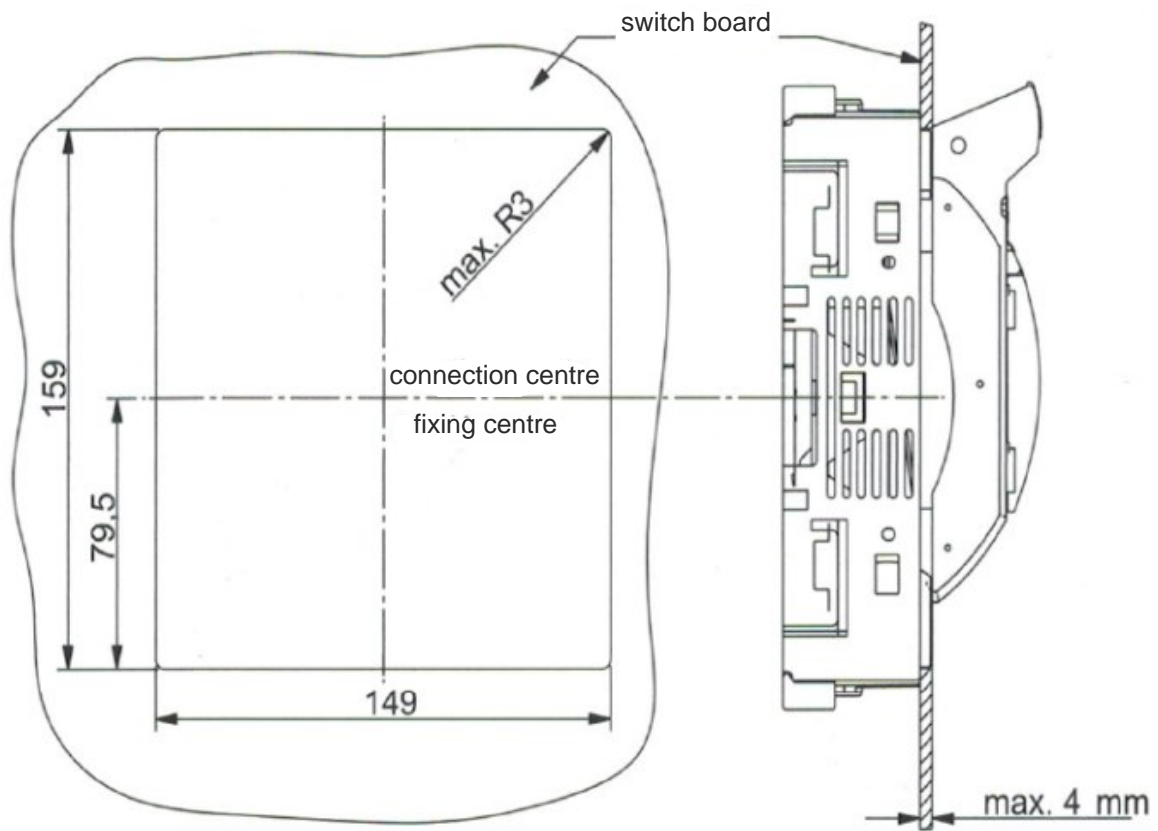
Cable terminal connection

Standard cable terminal:	M8
for cable lugs Cu max.:	2 x 70mm ²
for cable lugs Al max.:	2 x 70mm ²
for copper bars with max. dimensions:	20 x 5mm

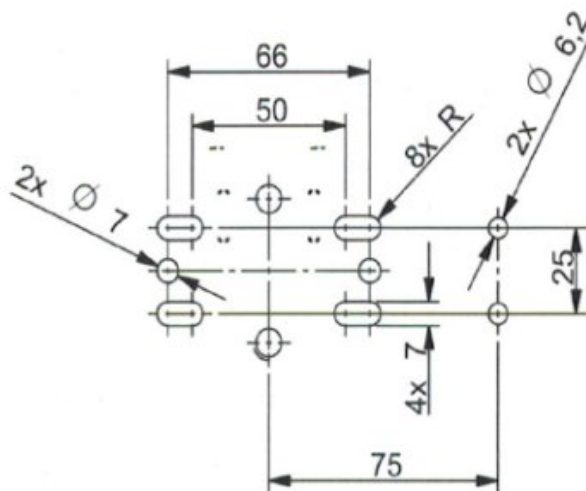
Dimensions:



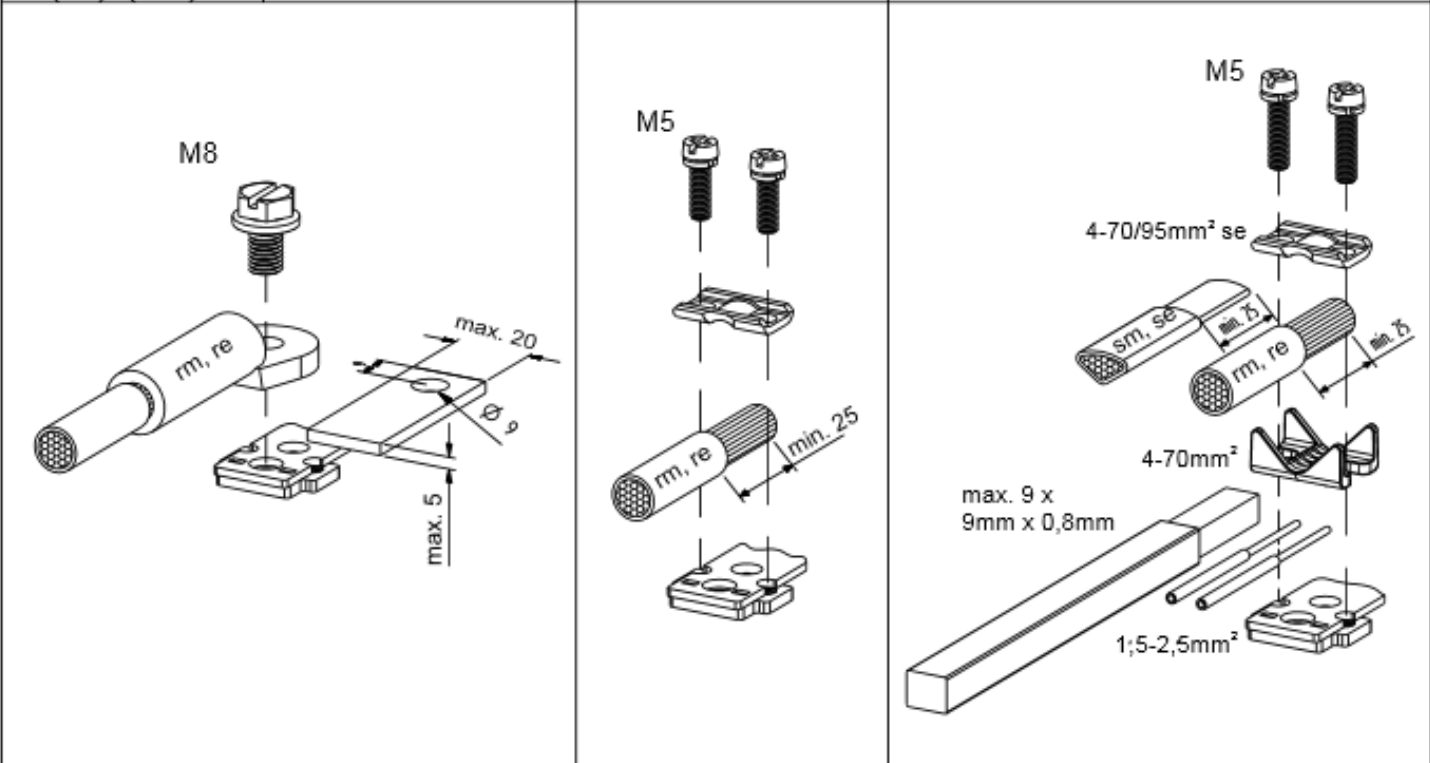
Dimensions of switch board cut out for bottom fixing without cover shield



Dimensions for bottom fitting:



Cable termination:

type	N	S	A
terminal	screw	clamp strap	Al/Cu clamp
cross section mm ²	Cu 16-70	Cu 4-70	Cu 1,5-70
	Al 16-95	Al ---	Al 1,5-70 sectoral stranded Al 1,5-95 sectoral solid
M(an) (Nm)	10	3-4	3-4
			

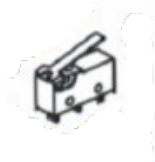
Fittings:



Item	kg/pc	unit	Item No.
Cover for cable terminal connection 3-pole 1 set = 2 pieces	0,05	1	140148



Item	kg/pc	unit	Item No.
Cover for cable terminal connection 3-pole 1 set = 2 pieces	0,02	1	140149



Item	kg/pc	unit	Item No.
Indicator for switch door position micro switch, 1 change-over contact 5A, 250V	0,01	1	140852



Item	kg/pc	unit	Item No.
Terminal screw M8 (1 Set = 2 pieces)	0,03	1	148052



Item	kg/pc	unit	Item No.
Al/Cu clamp 4-70mm ² (1 Set = 3 pieces)	0,08	1	148053



Item	kg/pc	unit	Item No.
Adapter for installation on two DIN-rails in accordance with EN 60 715-125mm	0,08	1	140151



Item	kg/pc	unit	Item No.
Adapter for installation on two DIN-rails in accordance with EN 60 715-150mm	0,10	1	140152



Item	kg/pc	unit	Item No.
Adapter for installation on two DIN-rails in accordance with EN 60 715-125mm	0,14	1	140153



Item	kg/pc	unit	Item No.
Adapter for installation on two DIN-rails in accordance with EN 60 715-150mm	0,16	1	140154

NH-fuse links:

with non-isolated gripping lugs, double indicator, contact blades, complying with DIN VDI 0632-2 Operating class (gL) gG
Size 000/00 500~/250V-



Item	kg/pc	unit	Item No.
Size 000 2A	0,12	3	140602
Size 000 4A	0,12	3	140604
Size 000 6A	0,12	3	140606
Size 000 10A	0,12	3	140610
Size 000 16A	0,12	9	140616
Size 000 20A	0,12	9	140620
Size 000 25A	0,12	9	140625
Size 000 32A	0,12	9	140632
Size 000 35A	0,12	9	140635
Size 000 40A	0,12	9	140640
Size 000 50A	0,12	9	140650
Size 000 63A	0,12	9	140663
Size 000 80A	0,12	9	140680
Size 000 100A	0,12	9	140690
Size 00 125A	0,12	3	140691
Size 00 160A	0,12	3	140692
NH-contact blades Size NH000 / 160A	0,12	9	141710