



## SHT

### PTC HEATERS, TERMINAL CONNECTION



Features	Unit	SHT25	SHT50	SHT75	SHT100	SHT125	SHT150
Heating Capacity*	W	25	50	75	100	125	150
Power supply	V	110-250V AC or DC					
Inrush current	A	2.5	3.5	4	5	7	9.5
Delayed fuse (advised)	A	4	4	6.3	8	8	10
Heating element type	-	PTC resistor, self regulating					
Electrical connections	-	2 screw terminals for stranded or rigid wire 2.5 mm <sup>2</sup>					
Protection class	-	Class II					
Protection degree EN60529	-	IP20					
Operating temperature	°C (°F)	-45/+70 (-49/+158)					
Storage temperature	°C (°F)	-45/+80 (-49/+176)					
Radiator	-	Extruded aluminium profile, anodized					
Mounting	-	Clip for mounting on DIN rail 35 mm EN50022					
Installation position	-	Best efficiency in vertical position					
Dimensions HxWxD	mm	90x50x80	110x50x80	160x50x80	110x90x80	160x90x80	220x90x80
Weight (with packaging)	kg	0.23 (0.25)	0.27 (0.30)	0.43 (0.47)	0.38 (0.43)	0.59 (0.65)	0.81 (0.88)
Conformity/Certifications	-	CE					

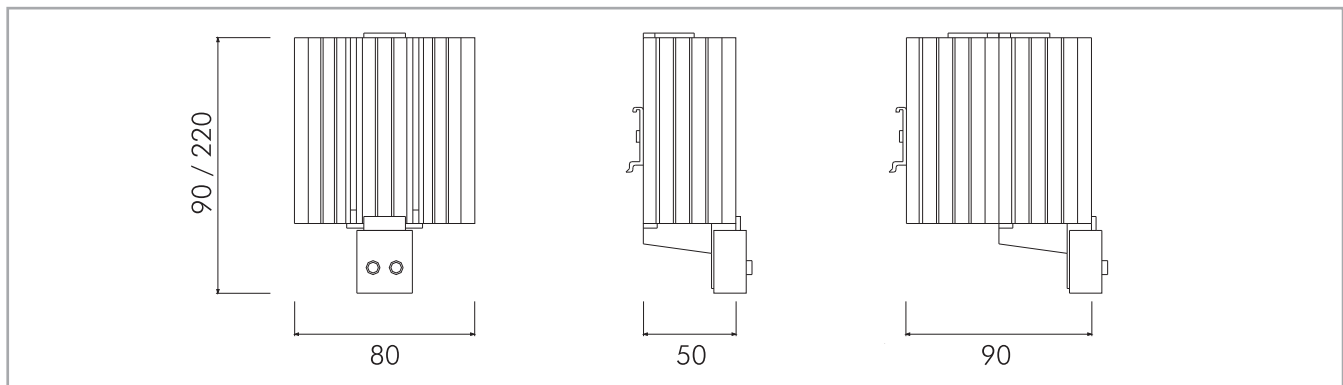
\*at 20°C (68°F) ambient temperature

#### Versions

with integrated fixed thermostat NC 5°C	SHT25T	SHT50T	SHT75T	SHT100T	SHT125T	SHT150T
---	--------	--------	--------	---------	---------	---------

#### Accessories

Thermostat NC 0-60°C	THR2
Double thermostat NC 0-60°C NO 0-60°	THR22
Hygrothermostat 0-60°C 20-90%RH	ETUH22
Hygrostat 10-90%RH	MUH



Specifications, values and drawings are subject to change without notice.